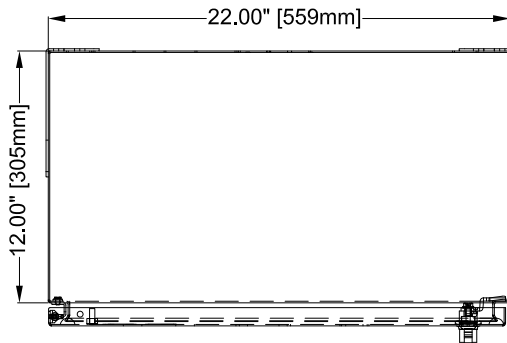


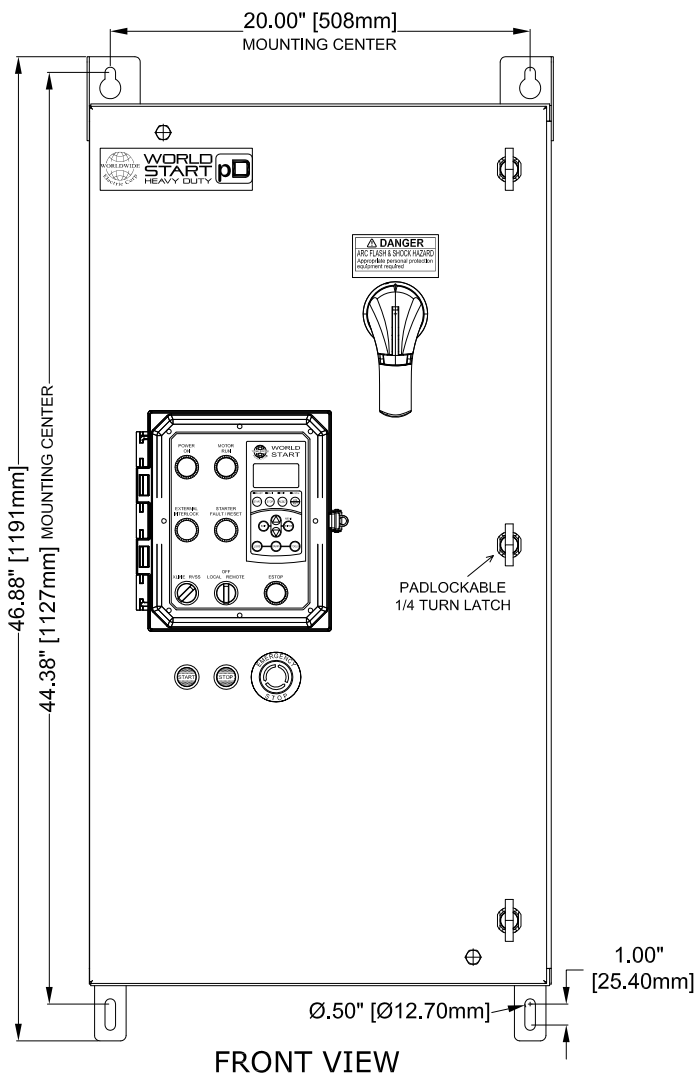
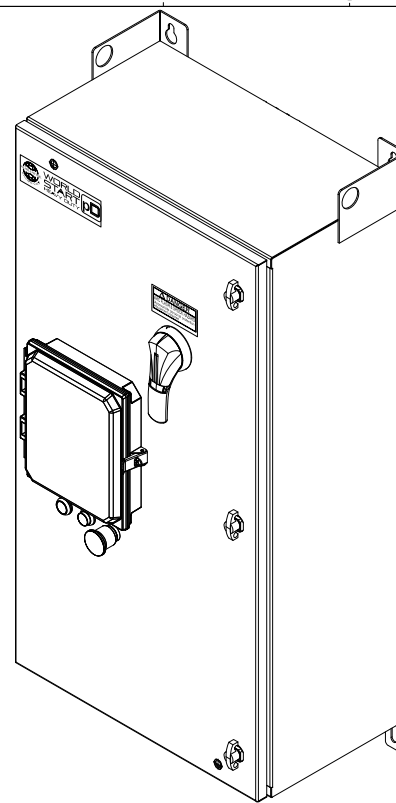
TYPE 4 / FRAME 2

WSPD-075N4 THROUGH -150N4

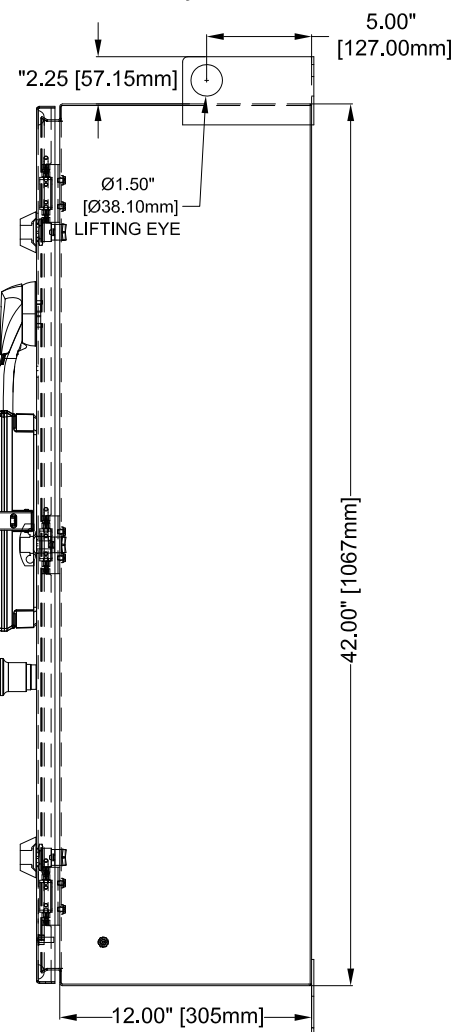
EST. WEIGHT: 159 LBS, 72 KG



TOP VIEW



FRONT VIEW



RHS VIEW



WorldWide Electric Corporation

3540 WINTON PLACE
 ROCHESTER, NEW YORK 14623 USA
 TOLL FREE: 1-800-808-2131

PROJECT
 WSPD-075N4 THRU 150N4
 TYPE 4 ENCLOSURE
 MECHANICAL DETAILS

ENGINEER	JSW	CREATED	20 JUN 17
DRAWN BY	JSW	SCALE	NTS
CHECKED BY	JCK	SHEET	1 OF 1
DWG NO	JSW062017-01A		

NO.	DATE

THE DESIGN AND DATA INCLUDED ON THIS DRAWING IS THE PROPRIETARY INFORMATION OF WORLDWIDE ELECTRIC CORPORATION. PUBLISHING AND USE OF THIS INFORMATION WITHOUT THE EXPRESS WRITTEN CONSENT OF WORLDWIDE ELECTRIC CORPORATION IS STRICTLY PROHIBITED.