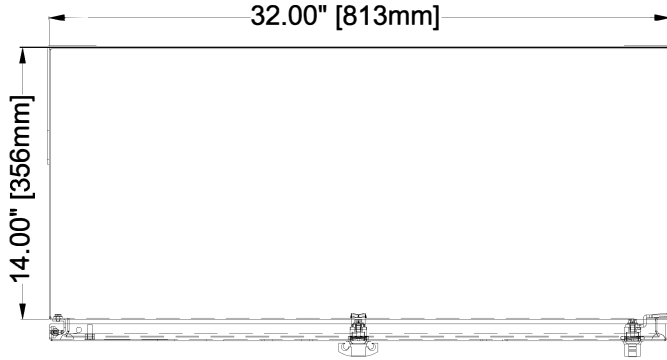
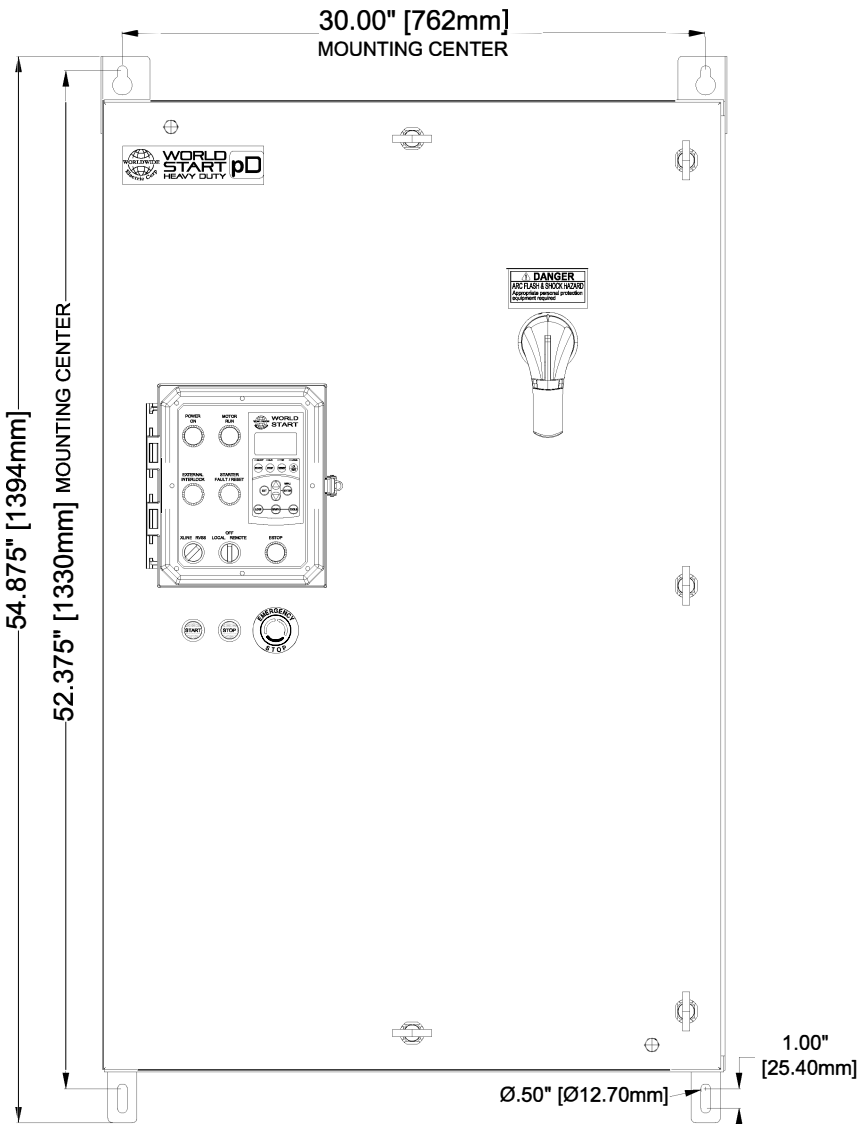
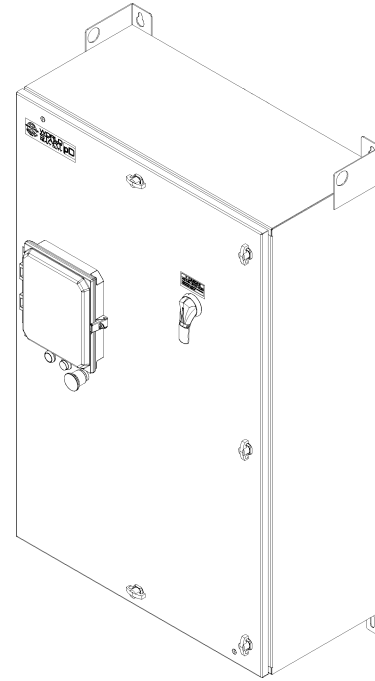


TYPE 4 / FRAME 3

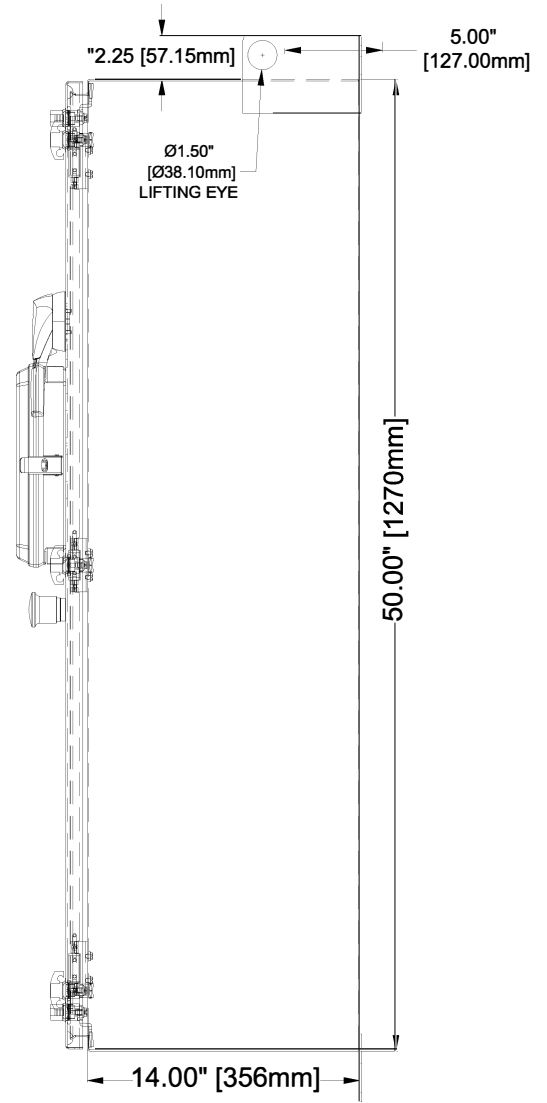
WSPD-200N4 THROUGH -300N4
EST. WEIGHT: 371 LBS, 168 KG



TOP VIEW



FRONT VIEW



RHS VIEW



WorldWide Electric Corporation

3540 WINTON PLACE
ROCHESTER, NEW YORK 14623 USA
TOLL FREE: 1-800-808-2131

PROJECT
WSPD-200N4 THRU 300N4
TYPE 4 ENCLOSURE
MECHANICAL DETAILS

| | | | |
|------------|---------------|---------|-----------|
| ENGINEER | JSW | CREATED | 20 JUN 17 |
| DRAWN BY | JSW | SCALE | NTS |
| CHECKED BY | JCK | SHEET | 1 OF 1 |
| DWG NO | JSW062017-01A | | |

| NO. | DATE |
|-----|------|
| | |
| | |
| | |

THE DESIGN AND DATA INCLUDED ON THIS DRAWING IS THE PROPRIETARY INFORMATION OF WORLDWIDE ELECTRIC CORPORATION. PUBLISHING AND USE OF THIS INFORMATION WITHOUT THE EXPRESS WRITTEN CONSENT OF WORLDWIDE ELECTRIC CORPORATION IS STRICTLY PROHIBITED.