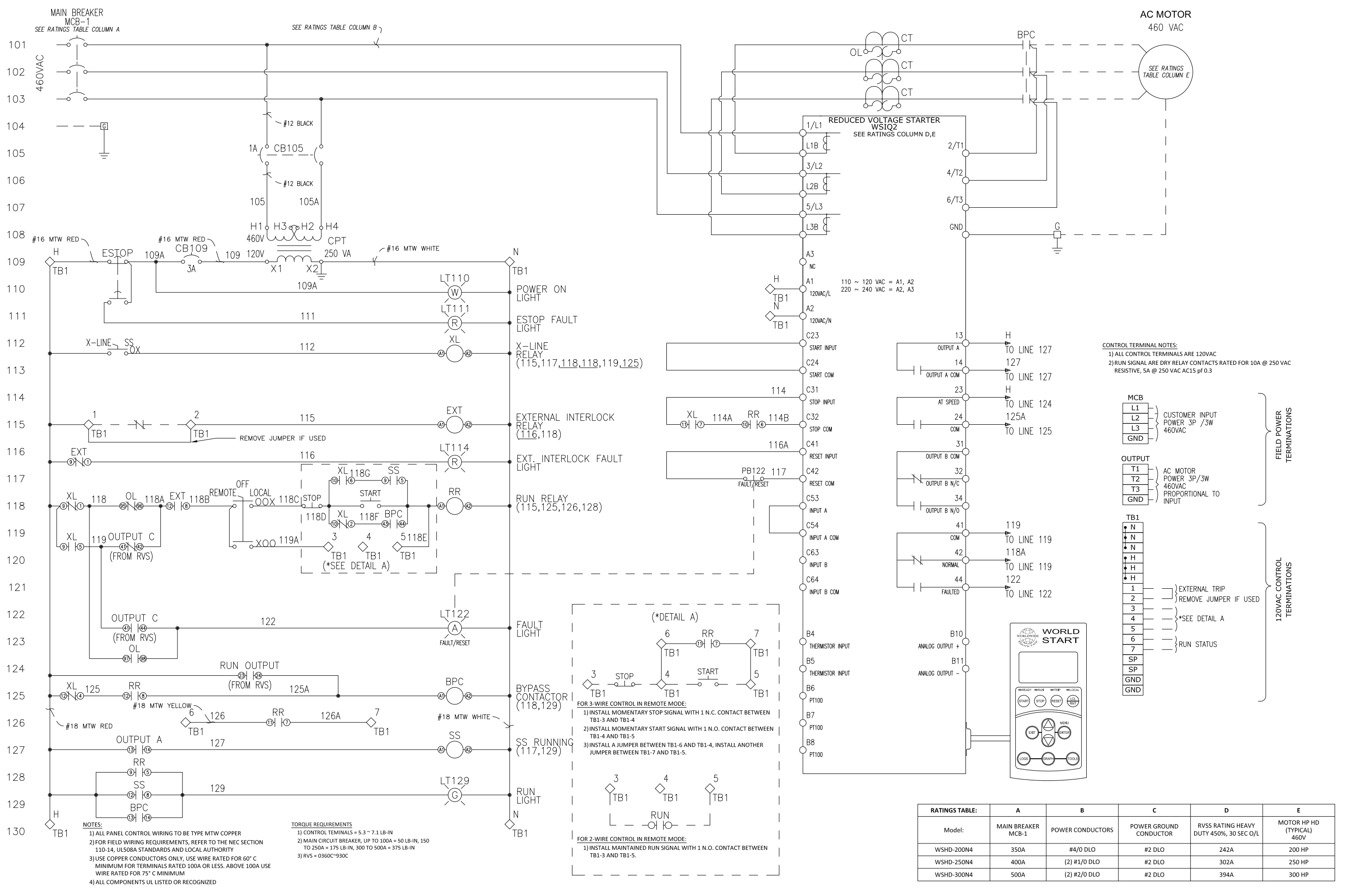


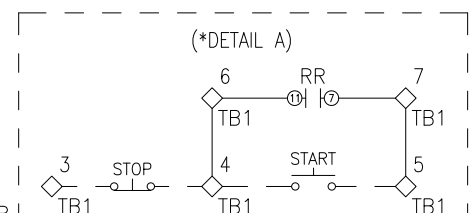
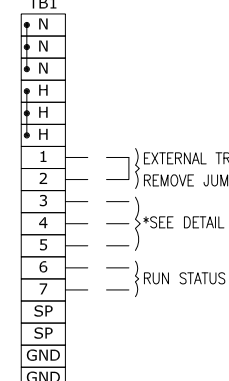
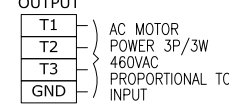
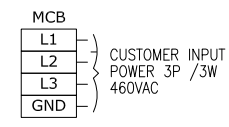
A B C D E F G H I J K L M N O P



AC MOTOR
460 VAC

REDUCED VOLTAGE STARTER
WSIQ2
SEE RATINGS COLUMN D,E

CONTROL TERMINAL NOTES:
1) ALL CONTROL TERMINALS ARE 120VAC
2) RUN SIGNAL ARE DRY RELAY CONTACTS RATED FOR 10A @ 250 VAC RESISTIVE, 5A @ 250 VAC AC15 pf 0.3



FOR 3-WIRE CONTROL IN REMOTE MODE:
1) INSTALL MOMENTARY STOP SIGNAL WITH 1 N.C. CONTACT BETWEEN TB1-3 AND TB1-4
2) INSTALL MOMENTARY START SIGNAL WITH 1 N.O. CONTACT BETWEEN TB1-4 AND TB1-5
3) INSTALL A JUMPER BETWEEN TB1-6 AND TB1-4, INSTALL ANOTHER JUMPER BETWEEN TB1-7 AND TB1-5.

FOR 2-WIRE CONTROL IN REMOTE MODE:
1) INSTALL MAINTAINED RUN SIGNAL WITH 1 N.O. CONTACT BETWEEN TB1-3 AND TB1-5.

RATINGS TABLE:	A	B	C	D	E
Model:	MAIN BREAKER MCB-1	POWER CONDUCTORS	POWER GROUND CONDUCTOR	RVSS RATING HEAVY DUTY 450%, 30 SEC O/L	MOTOR HP HD (TYPICAL) 460V
WSHD-200N4	350A	#4/0 DLO	#2 DLO	242A	200 HP
WSHD-250N4	400A	(2) #1/0 DLO	#2 DLO	302A	250 HP
WSHD-300N4	500A	(2) #2/0 DLO	#2 DLO	394A	300 HP

NOTES:
1) ALL PANEL CONTROL WIRING TO BE TYPE MTW COPPER
2) FOR FIELD WIRING REQUIREMENTS, REFER TO THE NEC SECTION 110-14, UL508A STANDARDS AND LOCAL AUTHORITY
3) USE COPPER CONDUCTORS ONLY, USE WIRE RATED FOR 60° C MINIMUM FOR TERMINALS RATED 100A OR LESS. ABOVE 100A USE WIRE RATED FOR 75° C MINIMUM
4) ALL COMPONENTS UL LISTED OR RECOGNIZED

TORQUE REQUIREMENTS
1) CONTROL TERMINALS = 5.3 ~ 7.1 LB-IN
2) MAIN CIRCUIT BREAKER, UP TO 100A = 50 LB-IN, 150 TO 250A = 175 LB-IN, 300 TO 500A = 375 LB-IN
3) RVS = 0360C*930C

THE DESIGN AND DATA INCLUDED HEREIN ARE THE PROPERTY OF WORLDWIDE ELECTRIC CORPORATION. NO PART OF THIS PUBLICATION MAY BE REPRODUCED OR TRANSMITTED IN ANY FORM OR BY ANY MEANS WITHOUT THE EXPRESS WRITTEN CONSENT OF WORLDWIDE ELECTRIC CORPORATION. IS STRICTLY PROHIBITED.

NO.	DATE	REVISION	BY
F	07 JUL 18	TEXT CHANGE 118A	JCK
G	03 OCT 18	X-LINE SWITCH	JCK
C	06 NOV 17	AMBER FAULT LIGHT	JCK
D	19 JUN 18	FLA UPDATED	JCK
E	11 JUN 18	3-WIRE REMOTE UPDATE	JCK

ENGINEER	CREATED	SCALE	SHEET	OF
JCK	28 APR 17	NTS	1	1

WSDH-N4

CLIENT INFORMATION / DRAWING NOTES:

PROJECT:
WSHD-200 - 300N4
WSIQ2 HEAVY DUTY
ELECTRICAL DIAGRAM

WorldWide Electric Corporation
3540 WINTON PLACE
ROCHESTER, NEW YORK 14623 USA
TOLL FREE: 1-800-808-2131

