

DATA SHEET

Premium Efficiency Motor: **ODP7.5-18-213T-GR,**

60 Hz

WorldWide Electric Corporation

1 (800) 808-2131

Worldwideelectric.net



Document Generated: 8-Dec-2023
Document ID:

Customer:

MOTOR INFORMATION	
HP	7.5
RPM	1800
Phase	3
Frequency	60
Voltage	230/460
Frame Size	213/5T
Enclosure	ODP
Degree of Protection	IP23
Service Factor	1.15
Poles	4
Full Load Speed	1758
Insulation Class	F
Temp Rise	80°C
NEMA Code Letter	G
Duty Cycle	S1 / Continuous
Slip	2.34%
NEMA Design	B
Moment of Inertia	0.988 lb.ft.^2
Locked Rotor Time (Hot)	12 seconds
Sound Pressure Level	60 dB(A)
Number of Starts	2 Cold / 1 Hot
Max Ambient Temperature	40°C
Max Elevation	1000 m.a.s.l (3300 f.a.s.l)
Mounting	F1
Rotation	Bi-Directional
Area of Classification	Safe Area
Inverter Rating	10:1 CT / 20:1 VT
Standard	NEMA MG 1
Approvals	UL, CE

EFFICIENCY/POWER FACTOR		
LOAD	EFF	P. F.
100%	91.0 %	0.78
75%	91.0 %	0.71
50%	89.5 %	0.58

TORQUE		
FULL LOAD	LRT	BDT
22.02 lb.ft.	356 %	368 %

AMPERAGE INFORMATION		
	230V	460V
Full Load Amps	19.6A	9.8A
Locked Rotor Amps	118.62A	59.31A
No Load Current	10.56A	5.28A
Usable at 208V	10.84A	

BEARING INFORMATION	
DE Bearing	6308ZZ
ODE Bearing	6306ZZ
Grease Type	NSK SN7
DE Regreasing Interval	-- Hours
ODE Regreasing Interval	-- Hours
Grease Quantity	--

ADDITIONAL DATA	
F2 Suitable	No
Shaft Material	AISI 1045
Connection Diagram	9 Lead Wye
Approximate Weight	140.2 lbs.

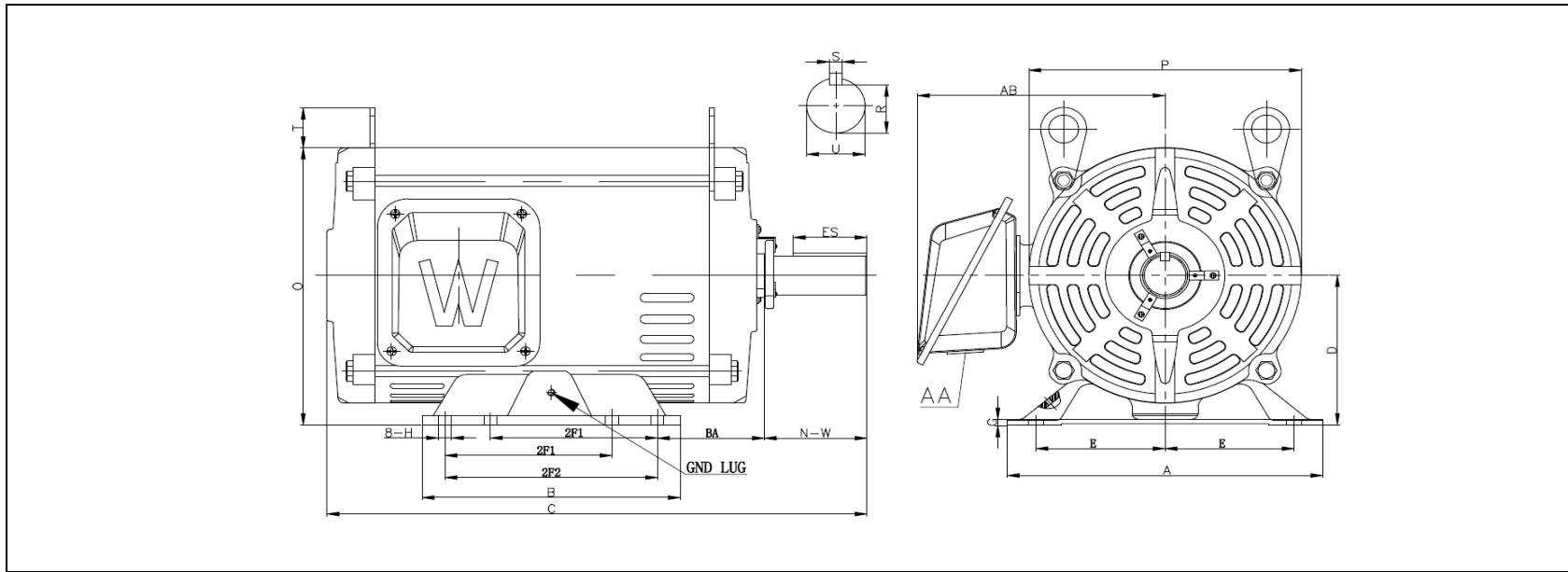
MOTOR DRAWING

Premium Efficiency Motor: **ODP7.5-18-213T-GR**

WorldWide Electric Corporation

1 (800) 808-2131

Worldwideelectric.net



DIMENSION - INCHES

MOUNTING					A	B	C	D	G	P	O	T	AB
E	2F1	2F2	H	BA									
4.25	5.5	7	0.43	3.5	9.69	8.19	17.8	5.25	0.16	9.4	9.8	1.5	8.16

SHAFT & KEY				
S	ES	R	N-W	U
0.31	2.41	1.201	3.38	1.375

T-BOX	GND LUG
AA	
1.38	M6*P1.0

PERFORMANCE CURVES

Premium Efficiency Motor:

ODP7.5-18-213T-GR

WorldWide Electric Corporation

1 (800) 808-2131

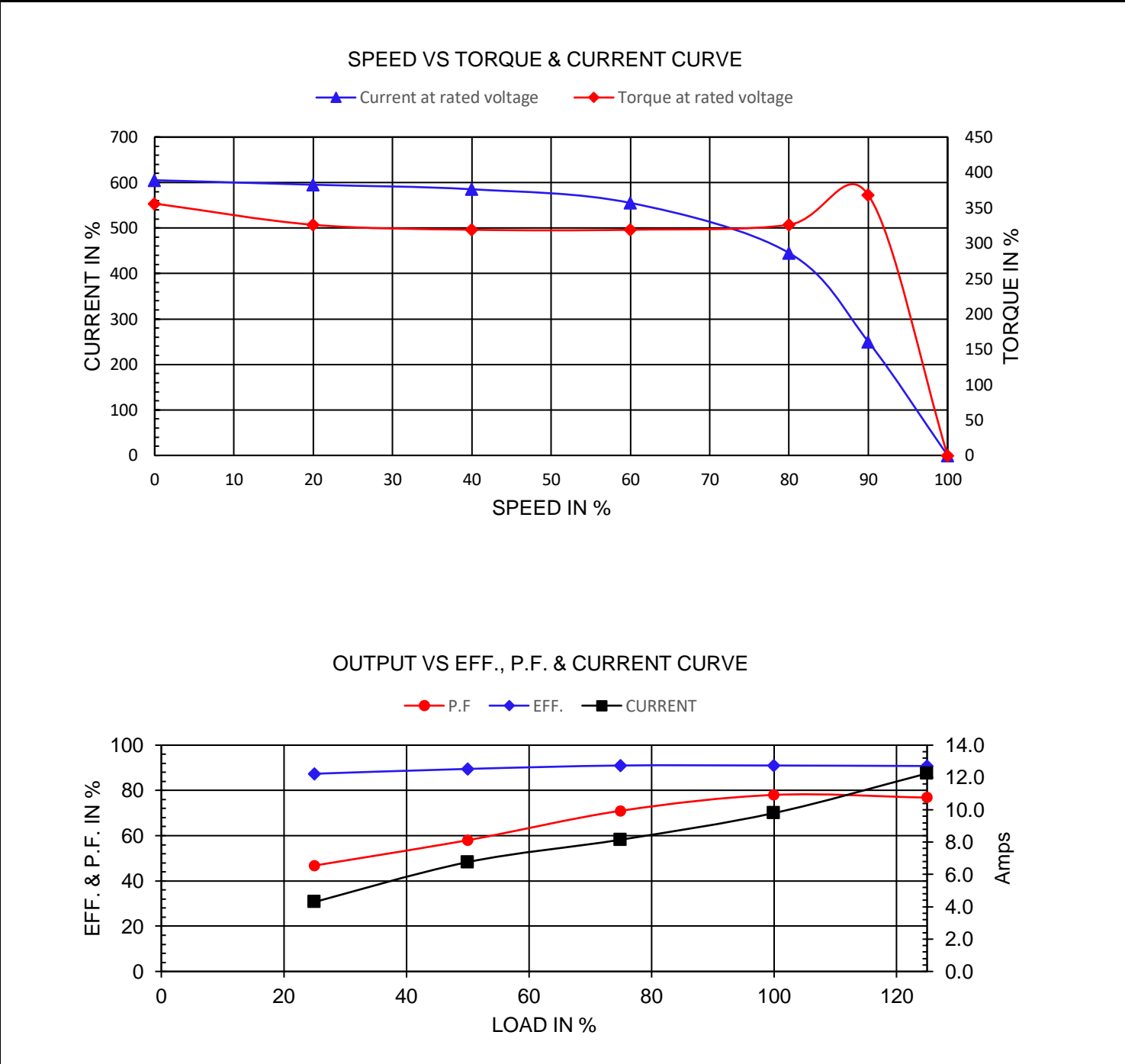
Worldwideelectric.net



Document Generated: 8-Dec-2023
Document ID:

Customer:

Motor Type	ODP		FL Speed	1758	
Output Rating (HP)	7.5		LRT (%FLT)	356	460 volt FLA 9.8
Full Load Torque	22.02	lb.ft	BDT (%FLT)	368	230 volt FLA 19.6
Rotor Wk ²	0.91	lb-ft ²			



NAMEPLATE / WIRING

WorldWide Electric Corporation

1 (800) 808-2131

Worldwideelectric.net



Premium Efficiency Motor: **ODP7.5-18-213T-GR**

Document Generated: 8-Dec-2023
Document ID:

Customer:

SAMPLE NAMEPLATE DATA

		OPEN DRIP PROOF 3 PHASE MOTOR									
Model :		Encl : ODP		SN :							
HP :	Poles :	FR :	Ins : F	IP 23	Max Amb 40°C	Duty : Cont					
Hz: 60	CODE:		Hz: 50	Design : B				230 V			
Volts: 230/460	P.F.:		Volts: 190/380		DE BRG:		ODE BRG:		460 V		
Amps:	Eff: %		Amps:		WT: LBS		Date:				
RPM:	S.F. : 1.15		RPM:								
WorldWide Electric Corporation											

Model: ODP7.5-18-213T-GR		Encl: ODP									
HP: 7.5	Poles: 4	Frame 213/5T	Ins Cl: F	IP IP23							
Hz: 60	Code: G	Hz: 50	Design: B								
Volts: 230/460	P.F.: 0.78	Volts: 190/380	DE Brg: 6308ZZ								
Amps: 19.6/9.8	Eff: 91.0%	Amps: 23.6/11.8	ODE Brg: 6306ZZ								
RPM: 1758	S.F.: 1.15	RPM: 1445	WT: 140.2 lbs.								
		S.F.: 1.0									