

# DATA SHEET

Premium Efficiency Motor: **ODP75-36-200-364TS,**

**60 Hz**

WorldWide Electric Corporation

1 (800) 808-2131

Worldwideelectric.net



Document Generated: 12-Dec-2023  
Document ID:

Customer:

MOTOR INFORMATION	
HP	75
RPM	3600
Phase	3
Frequency	60
Voltage	200
Frame Size	364/5TS
Enclosure	ODP
Degree of Protection	IP23
Service Factor	1.15
Poles	2
Full Load Speed	3567
Insulation Class	F
Temp Rise	80°C
NEMA Code Letter	F
Duty Cycle	S1 / Continuous
Slip	0.93%
NEMA Design	B
Moment of Inertia	6.172 lb.ft.^2
Locked Rotor Time (Hot)	12 seconds
Sound Pressure Level	83 dB(A)
Number of Starts	2 Cold / 1 Hot
Max Ambient Temperature	40°C
Max Elevation	1000 m.a.s.l (3300 f.a.s.l)
Mounting	F1
Rotation	Bi-Directional
Area of Classification	Safe Area
Inverter Rating	10:1 CT / 20:1 VT
Standard	NEMA MG 1
Approvals	UL, CE

EFFICIENCY/POWER FACTOR		
LOAD	EFF	P. F.
100%	93.6 %	0.88
75%	94.2 %	0.87
50%	93.1 %	0.82

TORQUE		
FULL LOAD	LRT	BDT
108.4 lb.ft.	194 %	259 %

AMPERAGE INFORMATION	
	200V
Full Load Amps	190.9
Locked Rotor Amps	1093.88
No Load Current	47.84A

BEARING INFORMATION	
DE Bearing	6314
ODE Bearing	6212
Grease Type	Mobil Polyrex EM
DE Regreasing Interval	2400 Hours
ODE Regreasing Interval	3600 Hours
Grease Quantity	26g/12g

ADDITIONAL DATA	
F2 Suitable	Yes
Shaft Material	AISI 1045
Connection Diagram	6 Lead Delta
Approximate Weight	724 lbs.

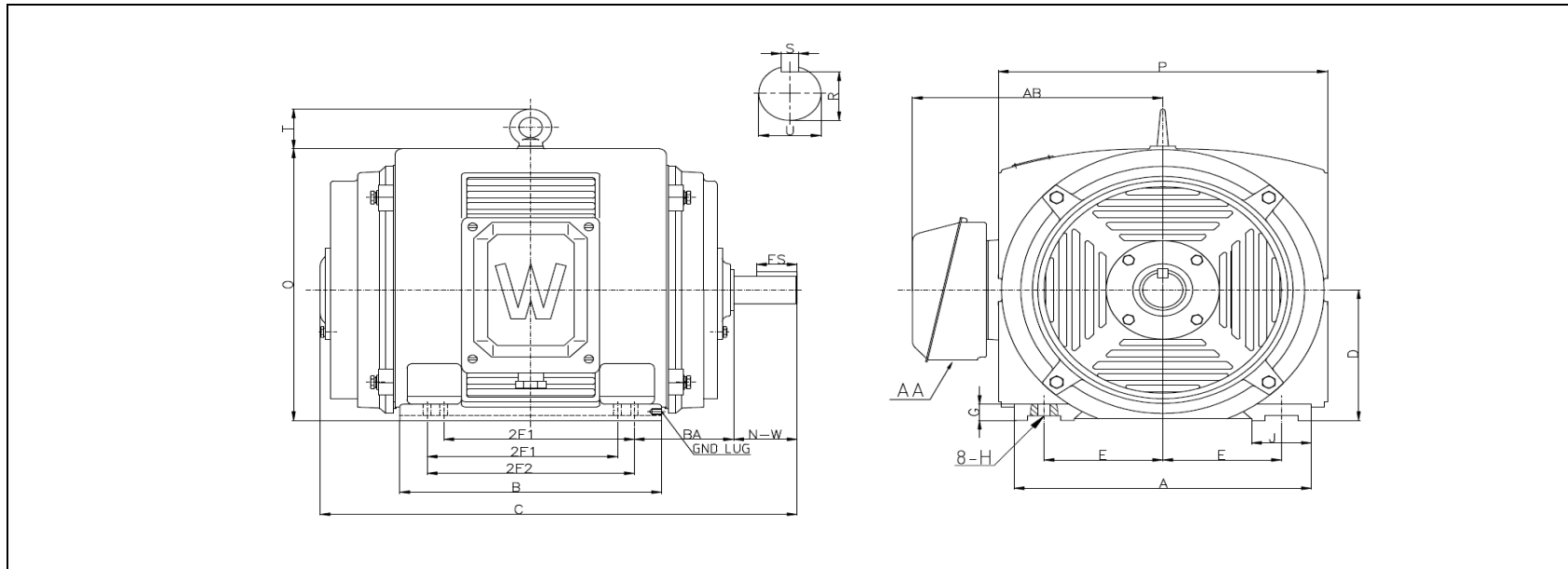
# MOTOR DRAWING

Premium Efficiency Motor: **ODP75-36-200-364TS**

WorldWide Electric Corporation

1 (800) 808-2131

Worldwideelectric.net



## DIMENSION - INCHES

MOUNTING					A	B	C	D	G	P	O	T	AB
E	2F1	2F2	H	BA									
7	11.25	12.25	0.66	5.88	17.6	15.51	28.8	9	1.1	19.48	18.5	2.7	14.8

SHAFT & KEY				
S	ES	R	N-W	U
0.5	2.03	1.591	3.75	1.875

T-BOX	GND LUG
AA	
3	M10*P1.5

# PERFORMANCE CURVES

WorldWide Electric Corporation

1 (800) 808-2131

Worldwideelectric.net



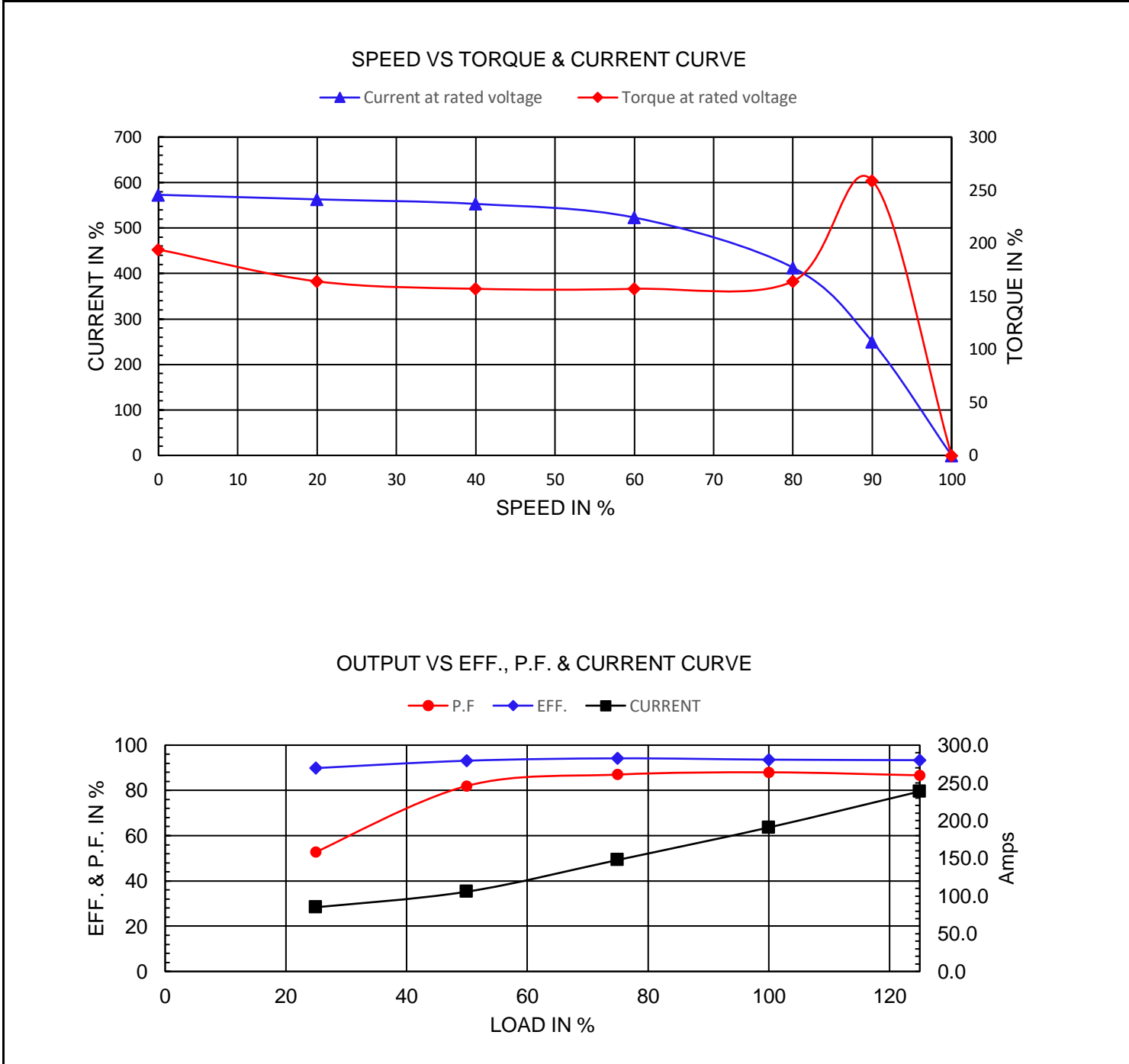
Premium Efficiency Motor:

**ODP75-36-200-364TS**

Document Generated: 12-Dec-2023  
Document ID:

Customer:

Motor Type	PEWWE				
Output Rating (HP)	75	FL Speed	3567		
Full Load Torque	108.4 lb.ft	LRT (%FLT)	194	200 volt FLA	190.9
Rotor Wk <sup>2</sup>	6.172 lb-ft <sup>2</sup>	BDT (%FLT)	259		



# NAMEPLATE / WIRING

WorldWide Electric Corporation

1 (800) 808-2131

Worldwideelectric.net



Premium Efficiency Motor: **ODP75-36-200-364TS**

Document Generated: 12-Dec-2023  
Document ID:

Customer:

## SAMPLE NAMEPLATE DATA

		<b>OPEN DRIP PROOF</b>							
<b>CC306B</b>		<b>3 PHASE MOTOR</b>							
Model :			Encl :		SN :				
HP :	Poles :	FR:	Ins : F	IP23	Max Amb 40°C	Duty:Cont			
Hz :			CODE :		Design :				
Volts :			P.F :		DE BRG :				
Amps :			Eff :		ODE BRG :				
RPM :			S.F :		WT : LBS				
			Date :						

<b>Model</b>	ODP75-36-200-364TS	<b>Encl</b>	ODP		
<b>HP:</b>	75	<b>Poles:</b>	2	<b>FR:</b>	364/5TS
<b>Hz:</b>	60	<b>Code:</b>	F	<b>Design</b>	B
<b>Volts:</b>	200	<b>P.F.:</b>	0.88	<b>DE BRG:</b>	6314
<b>Amps</b>	190.9	<b>Eff:</b>	93.6%	<b>ODE BRG:</b>	6212
<b>RPM</b>	3567	<b>S.F. :</b>	1.15	<b>WT:</b>	724 lbs.
				<b>Ins:</b>	F