

DATA SHEET

Premium Efficiency Motor: **ODP3-12-200-213T,**

60 Hz

WorldWide Electric Corporation

1 (800) 808-2131

Worldwideelectric.net



Document Generated: 12-Dec-2023
Document ID:

Customer:

MOTOR INFORMATION	
HP	3
RPM	1200
Phase	3
Frequency	60
Voltage	200
Frame Size	213/5T
Enclosure	ODP
Degree of Protection	IP23
Service Factor	1.15
Poles	6
Full Load Speed	1174
Insulation Class	F
Temp Rise	80°C
NEMA Code Letter	K
Duty Cycle	S1 / Continuous
Slip	2.16%
NEMA Design	B
Moment of Inertia	0.802 lb.ft.^2
Locked Rotor Time (Hot)	12 seconds
Sound Pressure Level	62 dB(A)
Number of Starts	2 Cold / 1 Hot
Max Ambient Temperature	40°C
Max Elevation	1000 m.a.s.l (3300 f.a.s.l)
Mounting	F1
Rotation	Bi-Directional
Area of Classification	Safe Area
Inverter Rating	10:1 CT / 20:1 VT
Standard	NEMA MG 1
Approvals	UL, CE

EFFICIENCY/POWER FACTOR		
LOAD	EFF	P. F.
100%	88.5 %	0.72
75%	90.2 %	0.64
50%	88.7 %	0.51

TORQUE		
FULL LOAD	LRT	BDT
13.16 lb.ft.	290 %	378 %

AMPERAGE INFORMATION	
	200V
Full Load Amps	9.89
Locked Rotor Amps	75.67A
No Load Current	5.75A

BEARING INFORMATION	
DE Bearing	6308ZZ
ODE Bearing	6306ZZ
Grease Type	NSK SN7
DE Regreasing Interval	-- Hours
ODE Regreasing Interval	-- Hours
Grease Quantity	--

ADDITIONAL DATA	
F2 Suitable	No
Shaft Material	AISI 1045
Connection Diagram	6 Lead Delta
Approximate Weight	120 lbs.

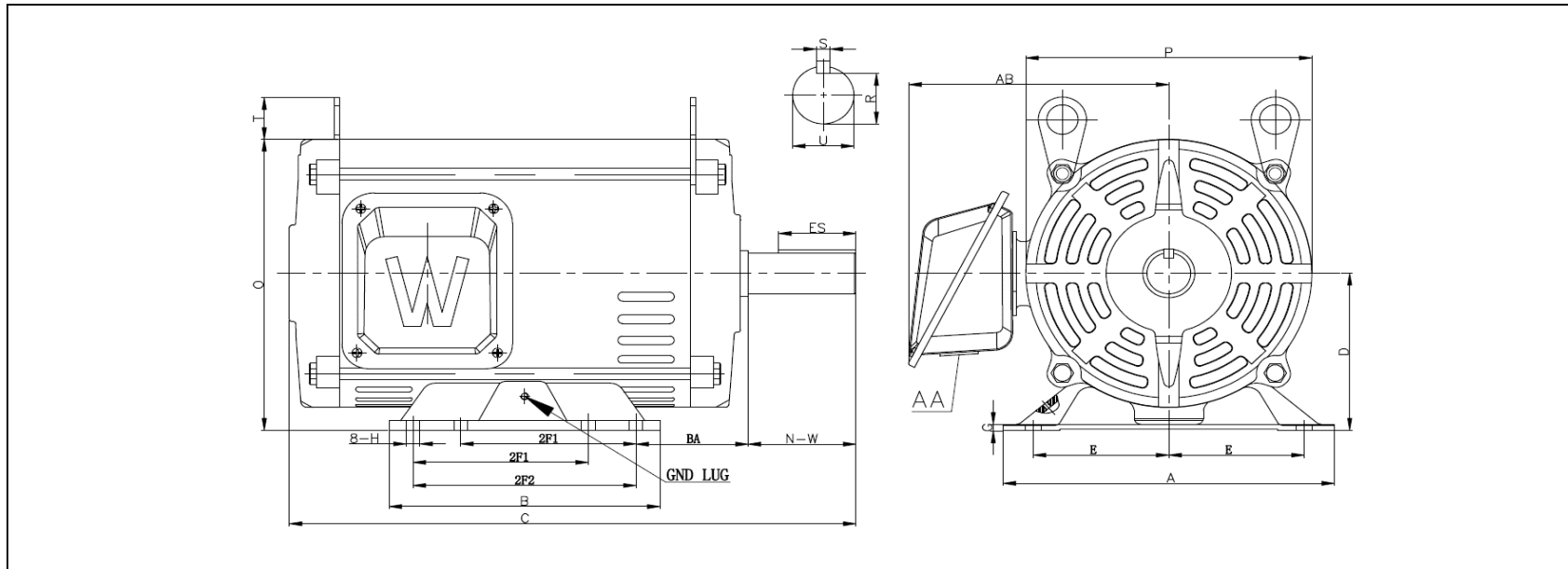
MOTOR DRAWING

Premium Efficiency Motor: **ODP3-12-200-213T**

WorldWide Electric Corporation

1 (800) 808-2131

Worldwideelectric.net



DIMENSION - INCHES

MOUNTING					A	B	C	D	G	P	O	T	AB
E	2F1	2F2	H	BA									
4.25	5.5	7	0.43	3.5	9.69	8.19	17.8	5.25	0.16	9.4	9.8	1.5	8.16

SHAFT & KEY				
S	ES	R	N-W	U
0.31	2.41	1.201	3.38	1.375

T-BOX	GND LUG
AA	M6*P1.0
1.38	

PERFORMANCE CURVES

Premium Efficiency Motor:

ODP3-12-200-213T

WorldWide Electric Corporation

1 (800) 808-2131

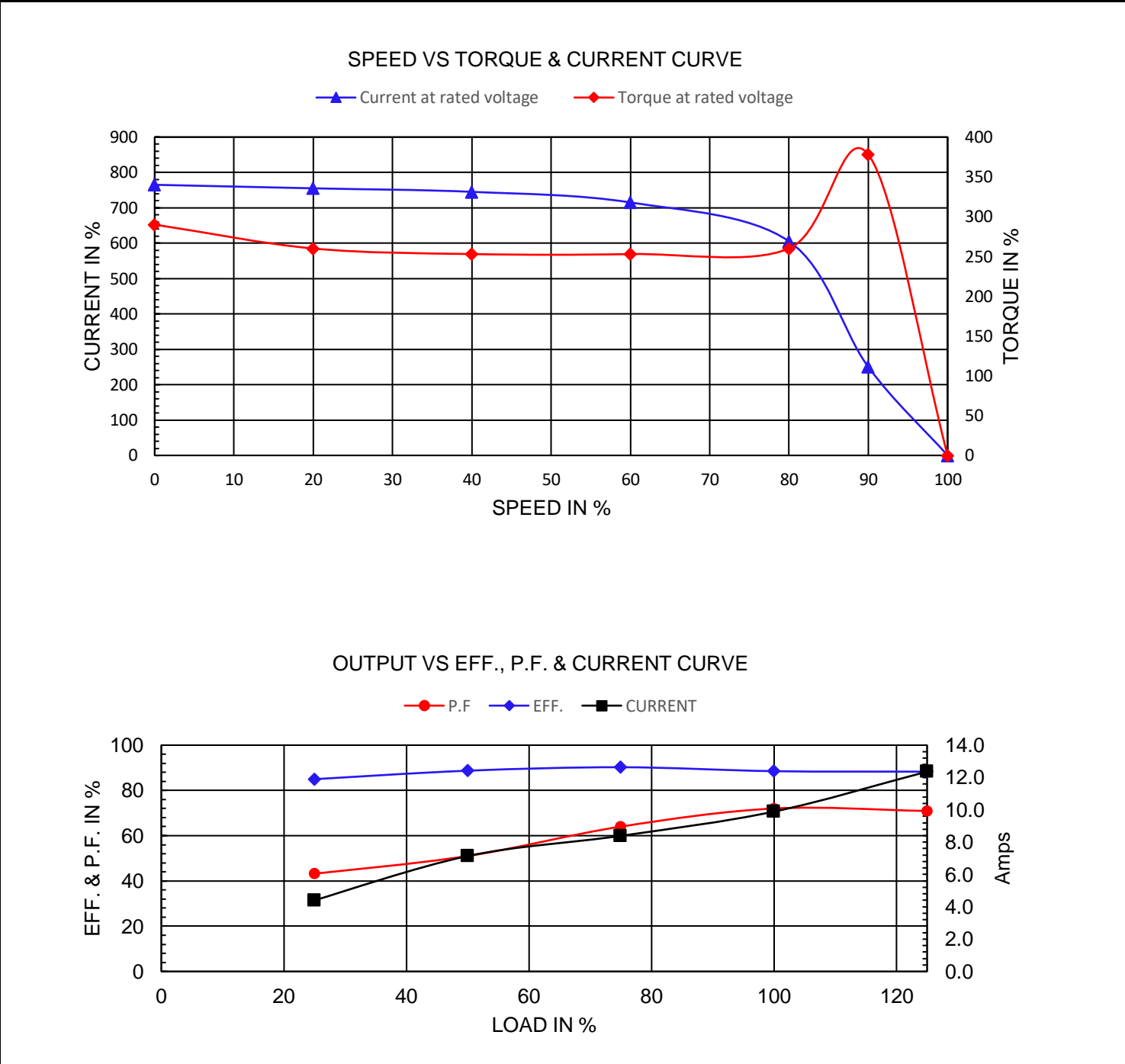
Worldwideelectric.net



Document Generated: 12-Dec-2023
Document ID:

Customer:

Motor Type	PEWWE		FL Speed	1174	
Output Rating (HP)	3		LRT (%FLT)	290	200 volt FLA 9.89
Full Load Torque	13.16 lb.ft		BDT (%FLT)	378	
Rotor Wk ²	0.802 lb-ft ²				



NAMEPLATE / WIRING

WorldWide Electric Corporation

1 (800) 808-2131

Worldwideelectric.net



Premium Efficiency Motor: **ODP3-12-200-213T**

Document Generated: 12-Dec-2023
Document ID:

Customer:

SAMPLE NAMEPLATE DATA

		OPEN DRIP PROOF 3 PHASE MOTOR									
Model :		Encl :		SN :							
HP :	Poles :	FR :	Ins : F	IP 23	Max Amb 40°C	Duty:Cont					
Hz :				CODE:		Design :					
Volts :				P.F. :		DE BRG :					
Amps :				Eff :		ODE BRG :					
RPM :				S.F. :		WT :					
						Date :					
WorldWide Electric Corporation											

Model	ODP3-12-200-213T	Encl	ODP			
HP:	3	Poles:	6	FR:	213/5T	Ins: F
Hz:	60	Code:	K	Design	B	
Volts:	200	P.F.:	0.72	DE BRG:	6308ZZ	
Amps	9.89	Eff:	88.5%	ODE BRG:	6306ZZ	
RPM	1174	S.F. :	1.15	WT:	120 lbs.	