

DATA SHEET

Premium Efficiency Motor: **ODP1-36-200-143T,**

60 Hz

WorldWide Electric Corporation

1 (800) 808-2131

Worldwideelectric.net



Document Generated: 12-Dec-2023
Document ID:

Customer:

MOTOR INFORMATION	
HP	1
RPM	3600
Phase	3
Frequency	60
Voltage	200
Frame Size	143/5T
Enclosure	ODP
Degree of Protection	IP23
Service Factor	1.15
Poles	2
Full Load Speed	3455
Insulation Class	F
Temp Rise	80°C
NEMA Code Letter	L
Duty Cycle	S1 / Continuous
Slip	4.02%
NEMA Design	B
Moment of Inertia	0.047 lb.ft.^2
Locked Rotor Time (Hot)	12 seconds
Sound Pressure Level	60 dB(A)
Number of Starts	2 Cold / 1 Hot
Max Ambient Temperature	40°C
Max Elevation	1000 m.a.s.l (3300 f.a.s.l)
Mounting	F1
Rotation	Bi-Directional
Area of Classification	Safe Area
Inverter Rating	10:1 CT / 20:1 VT
Standard	NEMA MG 1
Approvals	UL, CE

EFFICIENCY/POWER FACTOR		
LOAD	EFF	P. F.
100%	77.0 %	0.85
75%	81.2 %	0.80
50%	78.3 %	0.7

TORQUE		
FULL LOAD	LRT	BDT
1.53 lb.ft.	405 %	347 %

AMPERAGE INFORMATION	
	200V
Full Load Amps	3.105
Locked Rotor Amps	27.163A
No Load Current	1.38A

BEARING INFORMATION	
DE Bearing	6205ZZ
ODE Bearing	6204ZZ
Grease Type	NSK SN7
DE Regreasing Interval	-- Hours
ODE Regreasing Interval	-- Hours
Grease Quantity	--

ADDITIONAL DATA	
F2 Suitable	No
Shaft Material	AISI 1045
Connection Diagram	6 Lead Delta
Approximate Weight	28.7 lbs.

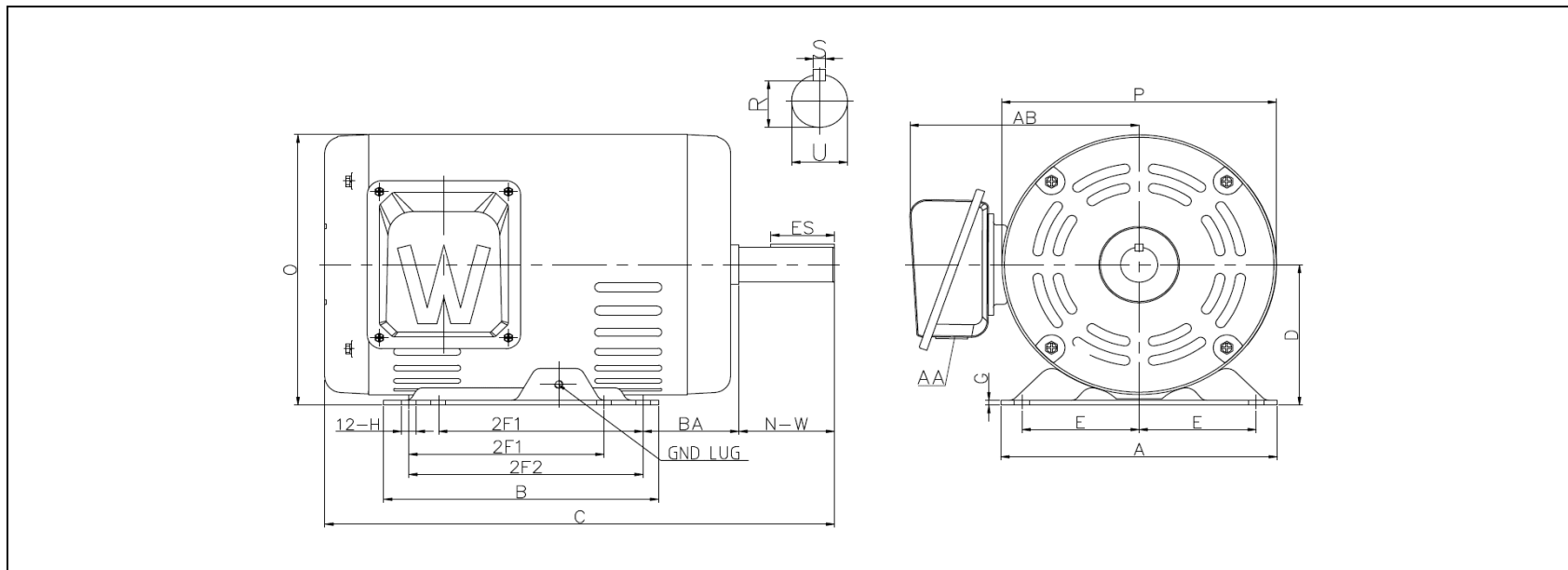
MOTOR DRAWING

Premium Efficiency Motor: **ODP1-36-200-143T**

WorldWide Electric Corporation

1 (800) 808-2131

Worldwideelectric.net



DIMENSION - INCHES

MOUNTING					A	B	C	D	G	P	O	T	AB
E	2F1	2F2	H	BA									
2.75	4	5	0.34	2.25	6.5	6.5	11.974	3.5	0.118	6.5	6.73	--	5.384

SHAFT & KEY				
S	ES	R	N-W	U
0.188	1.41	0.771	2.25	0.875

T-BOX	GND LUG
AA	M5*P0.8
1.09	

PERFORMANCE CURVES

Premium Efficiency Motor:

ODP1-36-200-143T

WorldWide Electric Corporation

1 (800) 808-2131

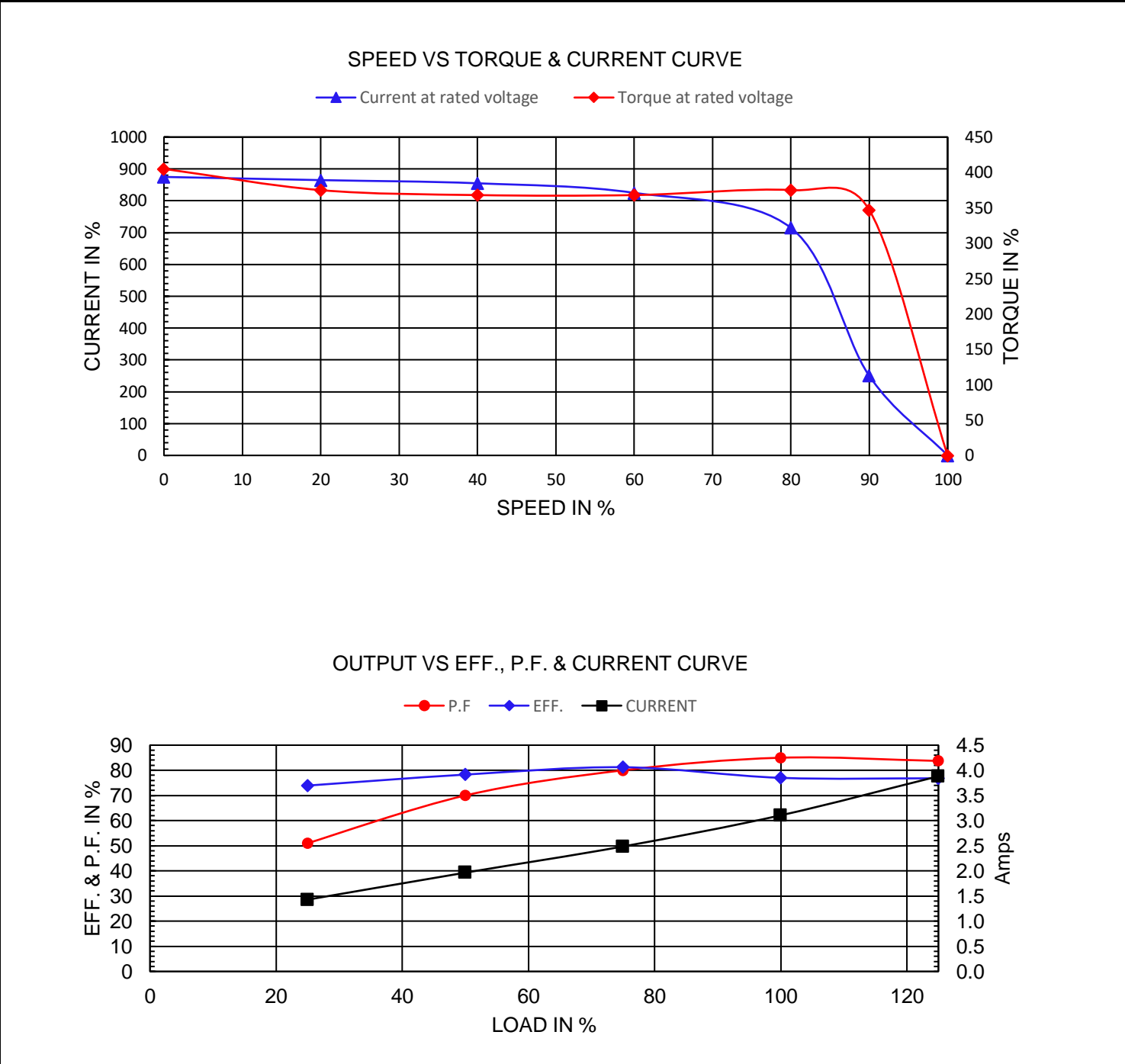
Worldwideelectric.net



Document Generated: 12-Dec-2023
Document ID:

Customer:

Motor Type	PEWWE				
Output Rating (HP)	1	FL Speed	3455		
Full Load Torque	1.53 lb.ft	LRT (%FLT)	405	200 volt FLA	3.105
Rotor Wk ²	0.047 lb-ft ²	BDT (%FLT)	347		



NAMEPLATE / WIRING

WorldWide Electric Corporation

1 (800) 808-2131

Worldwideelectric.net



Premium Efficiency Motor: **ODP1-36-200-143T**

Document Generated: 12-Dec-2023
Document ID:

Customer:

SAMPLE NAMEPLATE DATA

		OPEN DRIP PROOF 3 PHASE MOTOR									
Model :		Encl :		SN :							
HP :	Poles :	FR :	Ins :	IP 23	Max Amb 40°C	Duty : Cont					
Hz :				CODE:		Design :					
Volts :				P.F. :		DE BRG :					
Amps :				Eff :		ODE BRG :					
RPM :				S.F. :		WT :					
						Date :					
WorldWide Electric Corporation											

Model	ODP1-36-200-143T	Encl	ODP			
HP:	1	Poles:	2	FR:	143/5T	Ins: F
Hz:	60	Code:	L	Design	B	
Volts:	200	P.F.:	0.85	DE BRG:	6205ZZ	
Amps	3.105	Eff:	77.0%	ODE BRG:	6204ZZ	
RPM	3455	S.F. :	1.15	WT:	28.7 lbs.	