

DATA SHEET

Premium Efficiency Motor: **ODP100-18-200-404TS,**

60 Hz

WorldWide Electric Corporation

1 (800) 808-2131

Worldwideelectric.net



Document Generated: 12-Dec-2023
Document ID:

Customer:

MOTOR INFORMATION	
HP	100
RPM	1800
Phase	3
Frequency	60
Voltage	200
Frame Size	404/5TS
Enclosure	ODP
Degree of Protection	IP23
Service Factor	1.15
Poles	4
Full Load Speed	1785
Insulation Class	F
Temp Rise	80°C
NEMA Code Letter	E
Duty Cycle	S1 / Continuous
Slip	0.81%
NEMA Design	B
Moment of Inertia	23.76 lb.ft.^2
Locked Rotor Time (Hot)	12 seconds
Sound Pressure Level	80 dB(A)
Number of Starts	2 Cold / 1 Hot
Max Ambient Temperature	40°C
Max Elevation	1000 m.a.s.l (3300 f.a.s.l)
Mounting	F1
Rotation	Bi-Directional
Area of Classification	Safe Area
Inverter Rating	10:1 CT / 20:1 VT
Standard	NEMA MG 1
Approvals	UL, CE

EFFICIENCY/POWER FACTOR		
LOAD	EFF	P. F.
100%	95.4 %	0.86
75%	95.5 %	0.85
50%	95.0 %	0.79

TORQUE		
FULL LOAD	LRT	BDT
294.7 lb.ft.	192 %	253 %

AMPERAGE INFORMATION	
	200V
Full Load Amps	264.04
Locked Rotor Amps	1391.04
No Load Current	74.52A

BEARING INFORMATION	
DE Bearing	6316
ODE Bearing	6313
Grease Type	Mobil Polyrex EM
DE Regreasing Interval	2400 Hours
ODE Regreasing Interval	3600 Hours
Grease Quantity	26g/12g

ADDITIONAL DATA	
F2 Suitable	Yes
Shaft Material	AISI 1045
Connection Diagram	6 Lead Delta
Approximate Weight	1034 lbs.

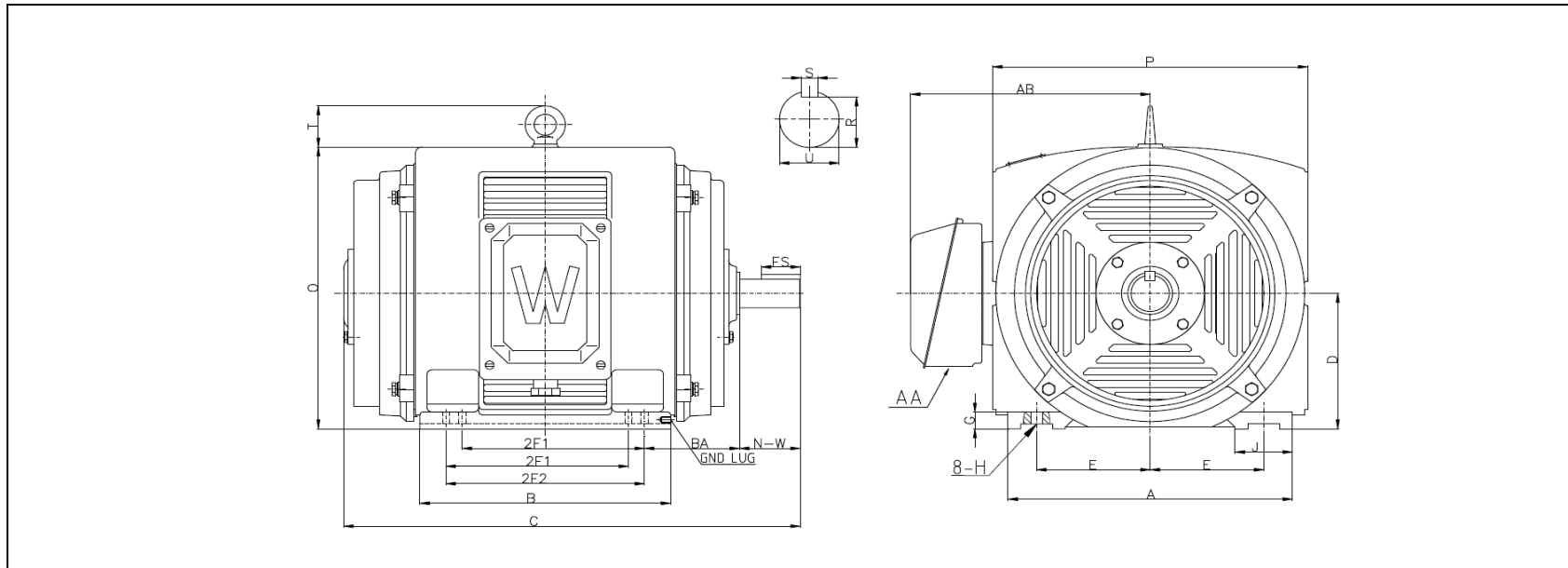
MOTOR DRAWING

Premium Efficiency Motor: **ODP100-18-200-404TS**

WorldWide Electric Corporation

1 (800) 808-2131

Worldwideelectric.net



DIMENSION - INCHES

MOUNTING					A	B	C	D	G	P	O	T	AB
E	2F1	2F2	H	BA									
8	12.25	13.75	0.81	6.62	20	17.6	30.7	10	1.18	21.3	20.3	3	16.93

SHAFT & KEY				
S	ES	R	N-W	U
0.5	2.78	1.845	4.25	2.125

T-BOX	GND LUG
AA	
3	M12*P1.75

PERFORMANCE CURVES

Premium Efficiency Motor:

ODP100-18-200-404TS

WorldWide Electric Corporation

1 (800) 808-2131

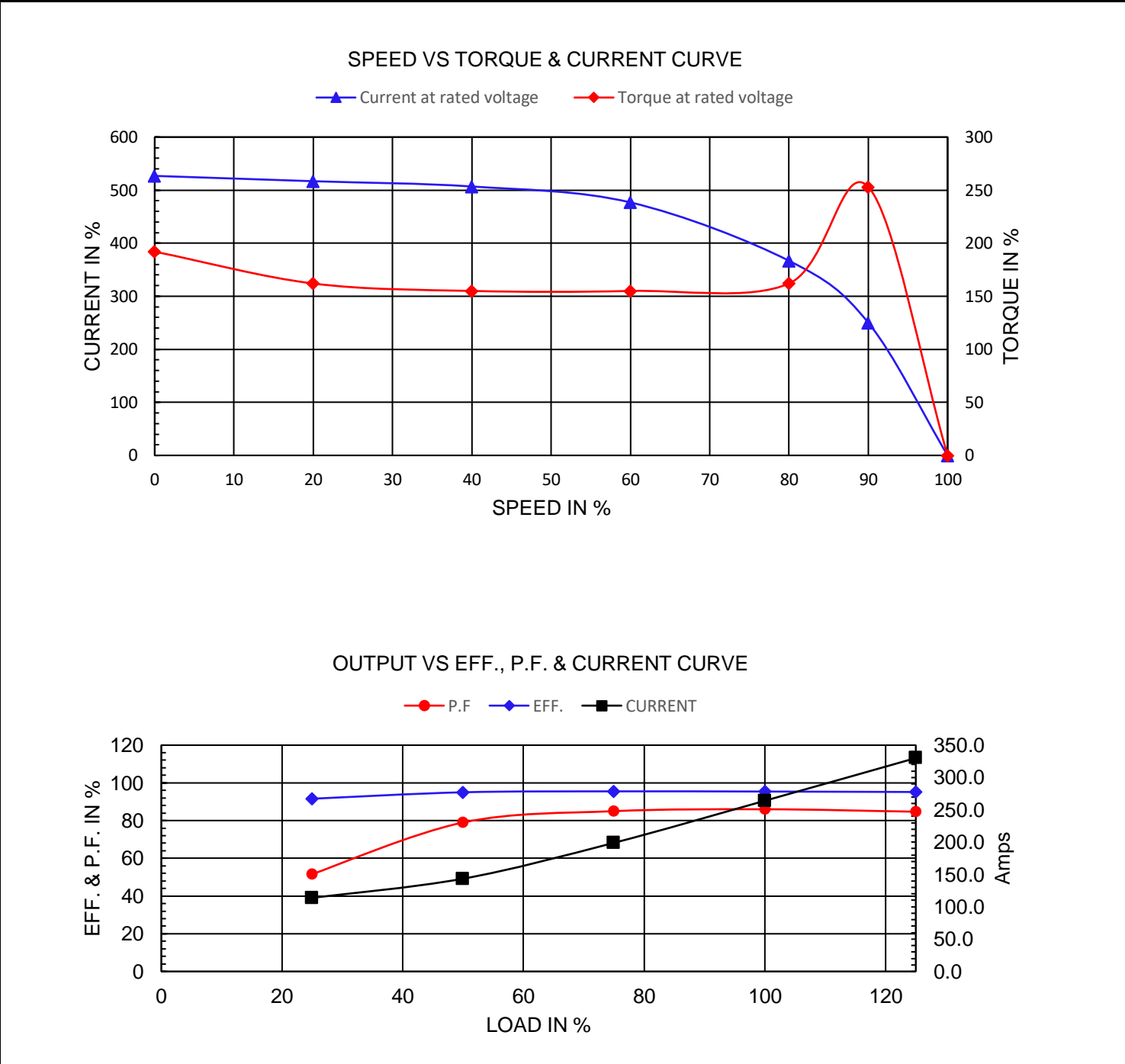
Worldwideelectric.net



Document Generated: 12-Dec-2023
Document ID:

Customer:

Motor Type	PEWWE				
Output Rating (HP)	100	FL Speed	1785		
Full Load Torque	294.7 lb.ft	LRT (%FLT)	192	200 volt FLA	264.04
Rotor Wk ²	23.76 lb-ft ²	BDT (%FLT)	253		



NAMEPLATE / WIRING

WorldWide Electric Corporation

1 (800) 808-2131

Worldwideelectric.net



Premium Efficiency Motor: **ODP100-18-200-404TS**

Document Generated: 12-Dec-2023
Document ID:

Customer:

SAMPLE NAMEPLATE DATA

		OPEN DRIP PROOF							
CC306B		3 PHASE MOTOR							
Model :			Encl :		SN :				
HP :	Poles :	FR:	Ins : F	IP23	Max Amb 40°C	Duty:Cont			
Hz :			CODE :		Design :				
Volts :			P.F :		DE BRG :				
Amps :			Eff :		ODE BRG :				
RPM :			S.F :		WT : LBS				
			Date :						

Model	ODP100-18-200-404TS	Encl	ODP		
HP:	100	Poles:	4	FR:	404/5TS
Hz:	60	Code:	E	Design	B
Volts:	200	P.F.:	0.86	DE BRG:	6316
Amps	264.04	Eff:	95.4%	ODE BRG:	6313
RPM	1785	S.F. :	1.15	WT:	1034 lbs.
				Ins:	F