

DATA SHEET

Premium Efficiency Motor: **ODP1-18-143T**,

60 Hz

WorldWide Electric Corporation

1 (800) 808-2131

Worldwideelectric.net



Document Generated: 8-Dec-2023
Document ID:

Customer:

MOTOR INFORMATION	
HP	1
RPM	1800
Phase	3
Frequency	60
Voltage	230/460
Frame Size	143/5T
Enclosure	ODP
Degree of Protection	IP23
Service Factor	1.15
Poles	4
Full Load Speed	1742
Insulation Class	F
Temp Rise	80°C
NEMA Code Letter	K
Duty Cycle	S1 / Continuous
Slip	3.20%
NEMA Design	B
Moment of Inertia	0.091 lb.ft.^2
Locked Rotor Time (Hot)	12 seconds
Sound Pressure Level	57 dB(A)
Number of Starts	2 Cold / 1 Hot
Max Ambient Temperature	40°C
Max Elevation	1000 m.a.s.l (3300 f.a.s.l)
Mounting	F1
Rotation	Bi-Directional
Area of Classification	Safe Area
Inverter Rating	10:1 CT / 20:1 VT
Standard	NEMA MG 1
Approvals	UL, CE

EFFICIENCY/POWER FACTOR		
LOAD	EFF	P. F.
100%	85.5 %	0.8
75%	86.2 %	0.73
50%	84.8 %	0.62

TORQUE		
FULL LOAD	LRT	BDT
3.03 lb.ft.	314 %	331 %

AMPERAGE INFORMATION		
	230V	460V
Full Load Amps	2.8A	1.4A
Locked Rotor Amps	21.18A	10.59A
No Load Current	1.4A	0.7A
Usable at 208V	1.55A	

BEARING INFORMATION	
DE Bearing	6205ZZ
ODE Bearing	6204ZZ
Grease Type	NSK SN7
DE Regreasing Interval	-- Hours
ODE Regreasing Interval	-- Hours
Grease Quantity	--

ADDITIONAL DATA	
F2 Suitable	No
Shaft Material	AISI 1045
Connection Diagram	9 Lead Wye
Approximate Weight	33.1 lbs.

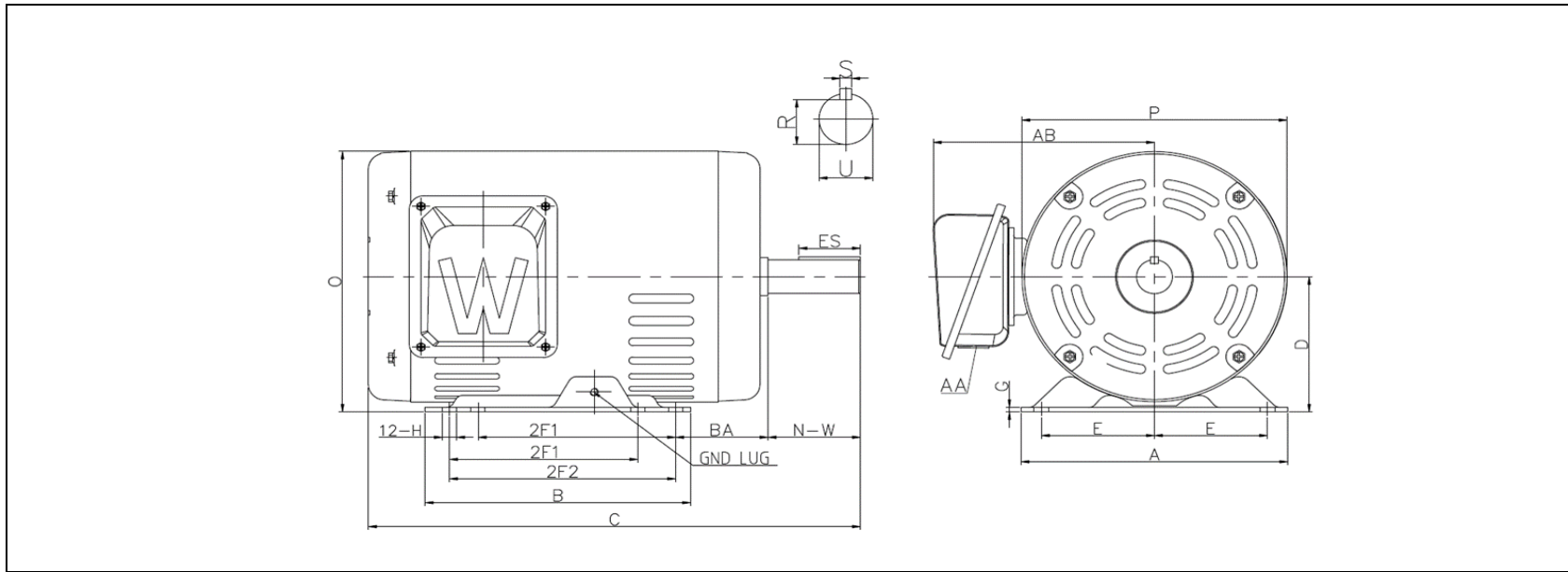
MOTOR DRAWING

Premium Efficiency Motor: **ODP1-18-143T**

WorldWide Electric Corporation

1 (800) 808-2131

Worldwideelectric.net



DIMENSION - INCHES

MOUNTING					A	B	C	D	G	P	O	T	AB
E	2F1	2F2	H	BA									
2.75	4	5	0.34	2.25	6.5	6.5	11.974	3.5	0.118	6.5	6.73	--	5.384

SHAFT & KEY				
S	ES	R	N-W	U
0.188	1.41	0.771	2.25	0.875

T-BOX	GND LUG
AA	M5*P0.8
1.09	

PERFORMANCE CURVES

WorldWide Electric Corporation

1 (800) 808-2131

Worldwideelectric.net

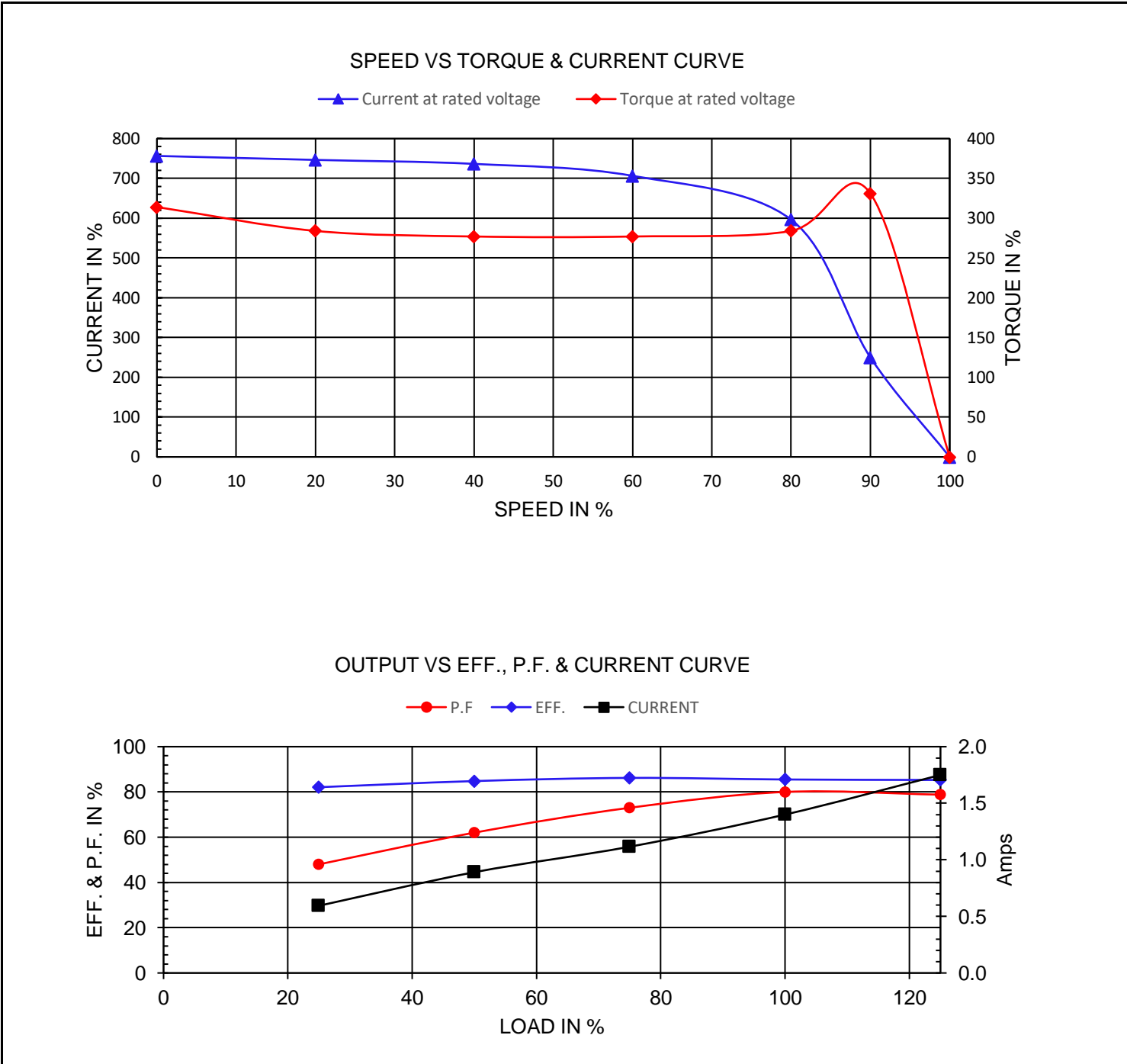


Premium Efficiency Motor:

ODP1-18-143T

Document Generated: 8-Dec-2023	Customer:
Document ID:	

Motor Type	ODP		FL Speed	1742	
Output Rating (HP)	1		LRT (%FLT)	314	
Full Load Torque	3.03	lb.ft	460 volt FLA	1.4	
Rotor Wk ²	0.855	lb-ft ²	230 volt FLA	2.8	
			BDT (%FLT)	331	



NAMEPLATE / WIRING

WorldWide Electric Corporation

1 (800) 808-2131

Worldwideelectric.net



Premium Efficiency Motor: **ODP1-18-143T**

Document Generated: 8-Dec-2023
Document ID:

Customer:

SAMPLE NAMEPLATE DATA

		OPEN DRIP PROOF 3 PHASE MOTOR						
Model :		Encl : ODP		SN :			4 5 6 	
HP :	Poles :	FR :	Ins : F	IP 23	Max Amb 40°C	Duty : Cont		7 8 9 1 2 3 L1 L2 L3 230 V
Hz : 60	CODE:		Hz : 50	Design : B		DE BRG :		4 5 6 7 8 9 1 2 3 L1 L2 L3 460 V
Volts : 230/460	P.F. :		Volts : 190/380	ODE BRG :		WT : LBS		
Amps :	Eff: %		Amps :	Date :				
RPM :	S.F. : 1.15		RPM :					
WorldWide Electric Corporation								

Model: ODP1-18-143T		Encl: ODP					
HP: 1	Poles: 4	Frame 143/5T	Ins Cl: F	IP IP23			
Hz: 60	Code: K	Hz: 50	Design: B				
Volts: 230/460	P.F.: 0.8	Volts: 190/380	DE Brg: 6205ZZ				
Amps: 2.8/1.4	Eff: 85.5%	Amps: 3.4/1.7	ODE Brg: 6204ZZ				
RPM: 1742	S.F.: 1.15	RPM: 1445	WT: 33.1 lbs.				
		S.F.: 1.0					