



PE145JP-1.5-4

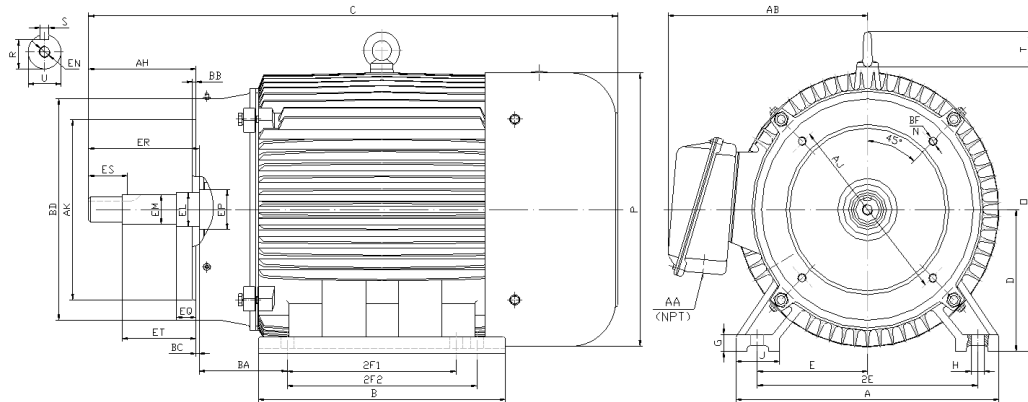
CLOSE COUPLED PUMP MOTORS

NEMA PREMIUM EFFICIENCY

TOTALLY ENCLOSED FAN COOLED, JP FRAME

INVERTER DUTY 10:1 CT; 20:1 VT - NEMA MG1 PART 31

Factory Certified for T2B Class I, Division II, Groups A,B,C & D and Class II, Division II, Groups F & G



DIMENSIONS

HP	RPM	Frame	MOUNTING														
			A	B	C	D	G	H	J	E	2E	2F1	2F2	O	P	T	BA
1.5	1800	145JP	7	7.2	20.3	3.5	0.5	0.34	1.4	2.75	5.5	4	5	7.1	6.95	NA	2.75

FLANGE							Shaft Extension, Key Set										
AH	AJ	AK	BB	BC	BD	BF	U	R	S	EQ	ER	ES	ET	EP	EL	EM	EN
7.343	5.875	4.500	0.156	0.12	6.62	4*3/8-16	0.8745	0.771	0.190	1.578	7.312	1.65	5.952	1.18	1.156	1.0000	3/8-16
7.281		4.497	0.125				0.8740	0.756	0.188	1.548			5.922		1.154	0.9995	

Conduit Box		Bearings		Mount
AA	AB	DE	ODE	
0.75	6.1	6206-ZZ	6205-ZZ	F1

BEARING LUBRICATION: The bearings come lubricated with Mobil Polyrex EM Polyurea Grease.





PE145JP-1.5-4

CLOSE COUPLED PUMP MOTORS

NEMA PREMIUM EFFICIENCY

TOTALLY ENCLOSED FAN COOLED, JP FRAME

INVERTER DUTY 10:1 CT; 20:1 VT - NEMA MG1 PART 31

Factory Certified for T2B Class I, Division II, Groups A,B,C & D and Class II, Division II, Groups F & G

PERFORMANCE DATA

HP	RPM	Frame	Voltage	Frequency (Hz)	Full Load S.F.	Insulation Class	NEMA Design	Slip (%)	NEMA Code	Enclosure Type	IP Rating	Max. Ambient
1.5	1750	145JP	230/460	60	1.15	F	B	2.8	M	TEFC	55	40 °C

Amps (460V)		Efficiency (%)			Power Factor			Torque (ft-lb)			DE Bearing	ODE Bearing	Connection	Weight (lbs.)
FLA	LRA	100%	75%	50%	100%	75%	50%	FLT	LRT %	BDT %	6206-ZZ	6205-ZZ	9 Lead 2Y/Y	53
2.2	20	86.5	86.0	83.5	0.70	0.62	0.48	4.54	250	330				

*Usable at 208 Volts

NAME PLATE

		AC INDUCTION MOTOR INVERTER DUTY 20:1 VT; 10:1 CT								CONNECTION DIAGRAMS		
CAT NO. PE145JP-1.5-4		FRAME 145JP		PHASE 3		230V						
HZ 60	S.F. 1.15	HZ 50	S.F. 1.0	ENCL TEFC	IP 55	T4	T5	T6				
HP 1.5	RPM 1750	HP 1.5	RPM 1430	DUTY CONT	DES B	T7	T8	T9				
VOLTS 230/460		VOLTS 190/380		AMB 40 °C	INS F	T1	T2	T3				
AMPS 4.4/2.2		AMPS 5.4/2.7		DE BRG 6206-ZZ		L1	L2	L3				
CODE M	P.F. 0.70	CODE H	P.F. 0.75	ODE BRG 6205-ZZ		460V						
EFF 86.5	MIN 84.0	EFF 84.0	MIN 81.5	LUB: Mobil Polyrex EM		T4	T5	T6				
MOTOR WEIGHT 53 LBS	CONNECTION 9 Lead 2Y/Y		SER NO		T7 T8 T9							
General purpose use on industrial machinery installed in damp, dusty or dirty environments.		ISO9001 CERTIFIED		CE		CSA C US 272709		CC082A		T1 T2 T3		
Hernando, Mississippi										L1 L2 L3		

APPLICATIONS:

Specifically designed for use on industrial and commercial pumping units.