



PE215JP-15-2

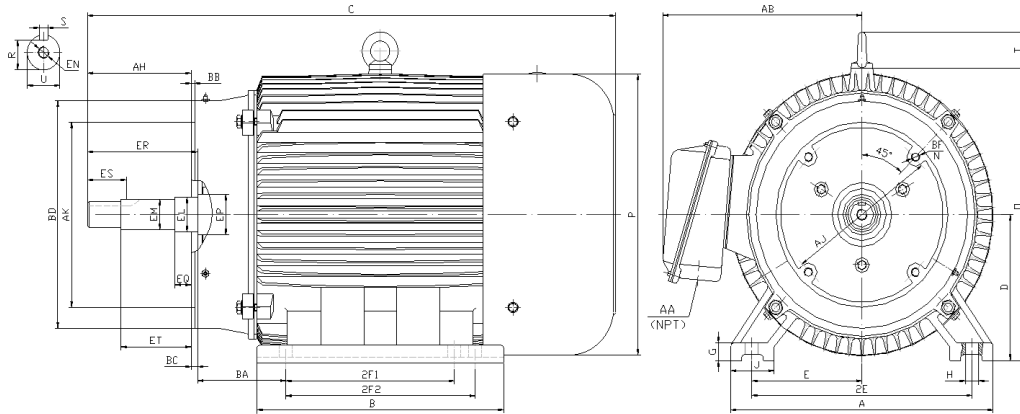
CLOSE COUPLED PUMP MOTORS

NEMA PREMIUM EFFICIENCY

TOTALLY ENCLOSED FAN COOLED, JP FRAME

INVERTER DUTY 10:1 CT; 20:1 VT - NEMA MG1 PART 31

Factory Certified for T2B Class I, Division II, Groups A,B,C & D and Class II, Division II, Groups F & G



DIMENSIONS

HP	RPM	Frame	MOUNTING														
			A	B	C	D	G	H	J	E	2E	2F1	2F2	O	P	T	BA
15	3600	215JP	11	9.4	26.15	5.25	0.7	0.41	2.4	4.25	8.5	5.5	7	10.5	10.2	1.9	4.25

FLANGE							Shaft Extension, Key Set										
AH	AJ	AK	BB	BC	BD	BF	U	R	S	EQ	ER	ES	ET	EP	EL	EM	EN
8.156	7.25	8.500	0.312	0.25	9	4*1/2-13	1.2495	1.112	0.252	2.390	8.125	2.53	5.890	1.77	1.750	1.3750	1/2-13
8.094		8.497	0.250				1.2490	1.097	0.250	2.360			5.860		1.748	1.3745	

Conduit Box		Bearings		Mount
AA	AB	DE	ODE	
1	8.3	6309-ZZ	6308-ZZ	F1

BEARING LUBRICATION: The bearings come lubricated with Mobil Polyrex EM Polyurea Grease.





PE215JP-15-2

CLOSE COUPLED PUMP MOTORS

NEMA PREMIUM EFFICIENCY

TOTALLY ENCLOSED FAN COOLED, JP FRAME

INVERTER DUTY 10:1 CT; 20:1 VT - NEMA MG1 PART 31

Factory Certified for T2B Class I, Division II, Groups A,B,C & D and Class II, Division II, Groups F & G

PERFORMANCE DATA

HP	RPM	Frame	Voltage	Frequency (Hz)	Full Load S.F.	Insulation Class	NEMA Design	Slip (%)	NEMA Code	Enclosure Type	IP Rating	Max. Ambient
15	3510	215JP	230/460	60	1.15	F	B	2.5	G	TEFC	55	40 °C

Amps (460V)		Efficiency (%)			Power Factor			Torque (ft-lb)			DE Bearing	ODE Bearing	Connection	Weight (lbs.)
FLA	LRA	100%	75%	50%	100%	75%	50%	FLT	LRT %	BDT %				
17.5	116	91.0	91.0	90.5	0.91	0.89	0.83	22.4	170	280	6309-ZZ	6308-ZZ	9 Lead 2Y/Y	189

*Usable at 208 Volts

NAME PLATE

		AC INDUCTION MOTOR INVERTER DUTY 20:1 VT; 10:1 CT								CONNECTION DIAGRAMS		
CAT NO. PE215JP-15-2		FRAME 215JP		PHASE 3		230V						
HZ 60	S.F. 1.15	HZ 50	S.F. 1.0	ENCL TEFC	IP 55	T4		T5		T6		
HP 15	RPM 3510	HP 15	RPM 2890	DUTY CONT	DES B	T7		T8		T9		
VOLTS 230/460		VOLTS 190/380		AMB 40 °C	INS F	T1		T2		T3		
AMPS 35/17.5		AMPS 42/21		DE BRG 6309-ZZ		L1		L2		L3		
CODE G	P.F. 0.91	CODE E	P.F. 0.92	ODE BRG 6308-ZZ		460V						
EFF 91.0	MIN 89.5	EFF 89.0	MIN 87.5	LUB: Mobil Polyrex EM		T4		T5		T6		
MOTOR WEIGHT 189 LBS		CONNECTION 9 Lead 2Y/Y	SER NO			T7		T8		T9		
General purpose use on industrial machinery installed in damp, dusty or dirty environments.		ISO9001 CERTIFIED	CE	CSA US 272709	CC082A	T1		T2		T3		
Hernando, Mississippi						L1		L2		L3		

APPLICATIONS:

Specifically designed for use on industrial and commercial pumping units.