



PE145JM-2-4

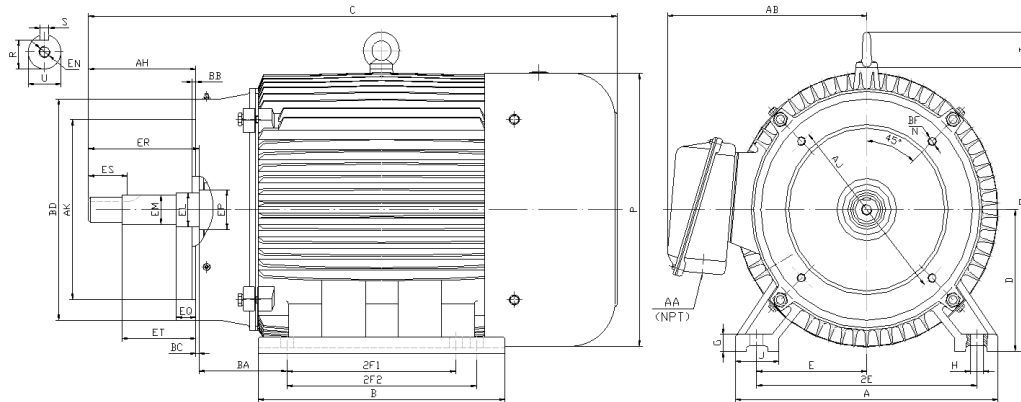
CLOSE COUPLED PUMP MOTORS

NEMA PREMIUM EFFICIENCY

TOTALLY ENCLOSED FAN COOLED, JM FRAME

INVERTER DUTY 10:1 CT; 20:1 VT - NEMA MG1 PART 31

Factory Certified for T2B Class I, Division II, Groups A,B,C & D and Class II, Division II, Groups F & G



DIMENSIONS

HP	RPM	Frame	MOUNTING														
			A	B	C	D	G	H	J	E	2E	2F1	2F2	O	P	T	BA
2	1800	145JM	7	7.2	17.23	3.5	0.5	0.34	1.4	2.75	5.5	4	5	7.1	6.95	NA	2.75

FLANGE							Shaft Extension, Key Set										
AH	AJ	AK	BB	BC	BD	BF	U	R	S	EQ	ER	ES	ET	EP	EL	EM	EN
4.281	5.875	4.500	0.156	0.12	6.62	4*3/8-16	0.8745	0.771	0.190	0.640	4.25	1.65	2.890	1.18	1.156	1.0000	3/8-16
4.219		4.497	0.125				0.8740	0.756	0.188	0.610			2.860		1.154	0.9995	

Conduit Box		Bearings		Mount
AA	AB	DE	ODE	
0.75	6.1	6206-ZZ	6205-ZZ	F1

BEARING LUBRICATION: The bearings come lubricated with Mobil Polyrex EM Polyurea Grease.





PE145JM-2-4

CLOSE COUPLED PUMP MOTORS

NEMA PREMIUM EFFICIENCY

TOTALLY ENCLOSED FAN COOLED, JM FRAME

INVERTER DUTY 10:1 CT; 20:1 VT - NEMA MG1 PART 31

Factory Certified for T2B Class I, Division II, Groups A,B,C & D and Class II, Division II, Groups F & G

PERFORMANCE DATA

HP	RPM	Frame	Voltage	Frequency (Hz)	Full Load S.F.	Insulation Class	NEMA Design	Slip (%)	NEMA Code	Enclosure Type	IP Rating	Max. Ambient
2	1745	145JM	230/460	60	1.15	F	B	3.1	L	TEFC	55	40 °C

Amps (460V)		Efficiency (%)			Power Factor			Torque (ft-lb)			DE Bearing	ODE Bearing	Connection	Weight (lbs.)
FLA	LRA	100%	75%	50%	100%	75%	50%	FLT	LRT %	BDT %				
3.1	25	86.5	86.5	84.5	0.72	0.65	0.52	6.05	235	280	6206-ZZ	6205-ZZ	9 Lead 2Y/Y	49

*Usable at 208 Volts

NAME PLATE

		AC INDUCTION MOTOR INVERTER DUTY 20:1 VT; 10:1 CT								CONNECTION DIAGRAMS		
CAT NO. PE145JM-2-4		FRAME 145JM		PHASE 3		230V						
HZ 60	S.F. 1.15	HZ 50	S.F. 1.0	ENCL TEFC	IP 55	T4		T5		T6		
HP 2	RPM 1745	HP 2	RPM 1415	DUTY CONT	DES B	T7		T8		T9		
VOLTS 230/460		VOLTS 190/380		AMB 40 °C	INS F	T1		T2		T3		
AMPS 6.2/3.1	AMPS 7/3.5		DE BRG 6206-ZZ		L1		L2		L3			
CODE L	P.F. 0.72	CODE G	P.F. 0.79	ODE BRG 6205-ZZ		460V						
EFF 86.5	MIN 84.0	EFF 84.0	MIN 81.5	LUB: Mobil Polyrex EM		T4		T5		T6		
MOTOR WEIGHT 49 LBS	CONNECTION 9 Lead 2Y/Y		SER NO		T7		T8		T9			
General purpose use on industrial machinery installed in damp, dusty or dirty environments. Hernando, Mississippi								CC082A		T1 T2 T3 L1 L2 L3		

APPLICATIONS:

Specifically designed for use on industrial and commercial pumping units.