



## PE364JM-60-4

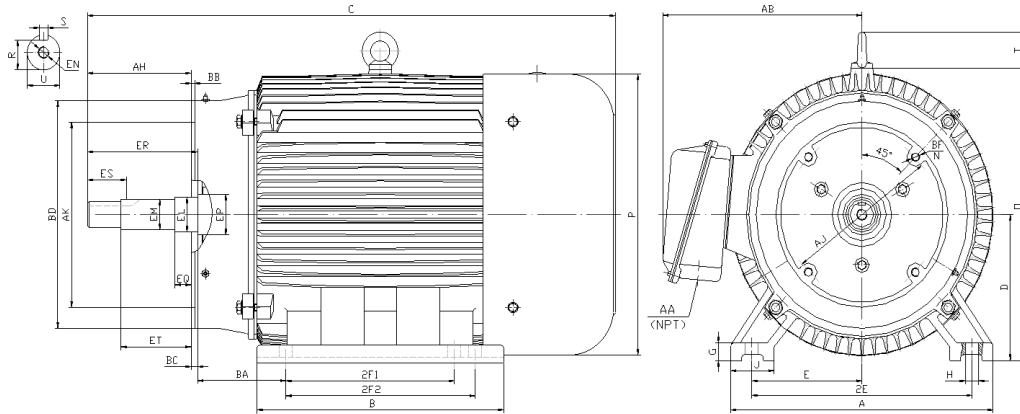
CLOSE COUPLED PUMP MOTORS

NEMA PREMIUM EFFICIENCY

TOTALLY ENCLOSED FAN COOLED, JM FRAME

INVERTER DUTY 10:1 CT; 20:1 VT - NEMA MG1 PART 31

Factory Certified for T2B Class I, Division II, Groups A,B,C & D and Class II, Division II, Groups F & G



### DIMENSIONS

| HP | RPM  | Frame | MOUNTING |      |      |   |      |      |      |   |    |       |     |      |      |     |      |
|----|------|-------|----------|------|------|---|------|------|------|---|----|-------|-----|------|------|-----|------|
|    |      |       | A        | B    | C    | D | G    | H    | J    | E | 2E | 2F1   | 2F2 | O    | P    | T   | BA   |
| 60 | 1800 | 364JM | 17.1     | 14.4 | 32.1 | 9 | 1.15 | 0.66 | 2.95 | 7 | 14 | 11.25 | NA  | 18.5 | 18.4 | 2.6 | 5.88 |

| FLANGE |    |        |       |      |    |          | Shaft Extension, Key Set |       |       |       |      |      |       |       |       |        |        |
|--------|----|--------|-------|------|----|----------|--------------------------|-------|-------|-------|------|------|-------|-------|-------|--------|--------|
| AH     | AJ | AK     | BB    | BC   | BD | BF       | U                        | R     | S     | EQ    | ER   | ES   | ET    | EP    | EL    | EM     | EN     |
| 5.281  | 11 | 12.500 | 0.312 | 0.25 | 14 | 8*5/8-11 | 1.2495                   | 1.112 | 0.252 | 0.645 | 5.25 | 2.53 | 3.020 | 2.558 | 1.750 | 1.3750 | 1/2-13 |
| 5.219  |    | 12.495 | 0.250 |      |    |          | 1.2490                   | 1.097 | 0.250 | 0.605 |      |      | 2.980 |       | 1.748 | 1.3745 |        |

| Conduit Box |    | Bearings |      | Mount |
|-------------|----|----------|------|-------|
| AA          | AB | DE       | ODE  |       |
| 3           | 15 | 6313     | 6313 | F1    |

**BEARING LUBRICATION:** The bearings come lubricated with Mobil Polyrex EM Polyurea Grease. It is recommended that you add some additional lubrication when the motor is installed.

Three options (brands) for suitable lubrication include, but are not limited to, the following:

- 1.) Mobil Polyrex EM
- 2.) Citco Polyurea MP
- 3.) Conoco Phillips Polytac EP





## PE364JM-60-4

CLOSE COUPLED PUMP MOTORS

NEMA PREMIUM EFFICIENCY

TOTALLY ENCLOSED FAN COOLED, JM FRAME

INVERTER DUTY 10:1 CT; 20:1 VT - NEMA MG1 PART 31

Factory Certified for T2B Class I, Division II, Groups A,B,C & D and Class II, Division II, Groups F & G

### PERFORMANCE DATA

| HP | RPM  | Frame | Voltage | Frequency (Hz) | Full Load S.F. | Insulation Class | NEMA Design | Slip (%) | NEMA Code | Enclosure Type | IP Rating | Max. Ambient |
|----|------|-------|---------|----------------|----------------|------------------|-------------|----------|-----------|----------------|-----------|--------------|
| 60 | 1780 | 364JM | 230/460 | 60             | 1.15           | F                | B           | 1.1      | G         | TEFC           | 55        | 40 °C        |

| Amps (460V) |     | Efficiency (%) |      |      | Power Factor |      |      | Torque (ft-lb) |       |       | DE Bearing | ODE Bearing | Connection   | Weight (lbs.) |
|-------------|-----|----------------|------|------|--------------|------|------|----------------|-------|-------|------------|-------------|--------------|---------------|
| FLA         | LRA | 100%           | 75%  | 50%  | 100%         | 75%  | 50%  | FLT            | LRT % | BDT % |            |             |              |               |
| 69.5        | 435 | 95.0           | 95.0 | 94.1 | 0.85         | 0.83 | 0.75 | 177.55         | 160   | 240   | 6313       | 6313        | 12 Lead 2Δ/Δ | 788           |

\*Usable at 208 Volts

### NAME PLATE

|  |           |  |           |                       |       |  |  |        |  |                             |  |  |  |  |
|--|-----------|--|-----------|-----------------------|-------|--|--|--------|--|-----------------------------|--|--|--|--|
|  |           | AC INDUCTION MOTOR<br>INVERTER DUTY 20:1 VT; 10:1 CT |           |                       |       |  |  |        |  | CONNECTION DIAGRAMS<br>230V |  |  |  |  |
| CAT NO. PE364JM-60-4   |           | FRAME 364JM  |           | PHASE 3               |       |  |  |        |  |                             |  |  |  |  |
| HZ 60  | S.F. 1.15 | HZ 50  | S.F. 1.0  | ENCL TEFC             | IP 55 |  |  |        |  |                             |  |  |  |  |
| HP 60  | RPM 1780  | HP 60  | RPM 1480  | DUTY CONT             | DES B |  |  |        |  |                             |  |  |  |  |
| VOLTS 230/460  |           | VOLTS 190/380  |           | AMB 40 °C             | INS F |  |  |        |  |                             |  |  |  |  |
| AMPS 139/69.5  |           | AMPS 168/84  |           | DE BRG 6313           |       |  |  |        |  |                             |  |  |  |  |
| CODE G   | P.F. 0.85 | CODE F   | P.F. 0.86 | ODE BRG 6313          |       |  |  |        |  |                             |  |  |  |  |
| EFF 95.0   | MIN 95.0  | EFF 93.8   | MIN 92.6  | LUB: Mobil Polyrex EM |       |  |  |        |  |                             |  |  |  |  |
| MOTOR WEIGHT 788 LBS   |           | CONNECTION 12 Lead 2Δ/Δ                              |           | SER NO                |       |  |  |        |  |                             |  |  |  |  |
| General purpose use on industrial machinery installed in damp, dusty or dirty environments.<br>Hernando, Mississippi |           |  |           |                       |       |  |  | CC082A |  |                             |  |  |  |  |
|  |           |  |           |                       |       |  |  |        |  |                             |  |  |  |  |

### APPLICATIONS:

Specifically designed for use on industrial and commercial pumping units.