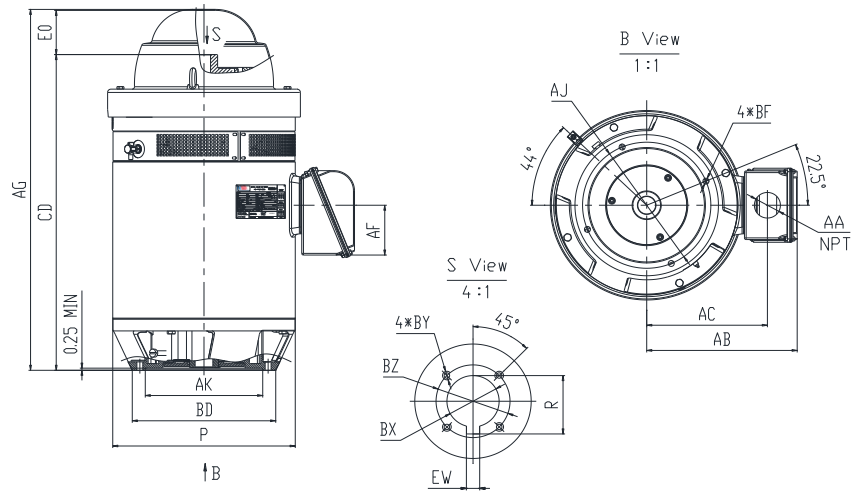




**V2-60S4-W36416A**

**VERTICAL HOLLOW SHAFT MOTOR**  
**NEMA PREMIUM EFFICIENCY**  
**INVERTER DUTY 20:1 VT**  
**INCLUDES INSULATED BEARING MOUNT - 40 HP AND ABOVE**  
**HIGH THRUST DESIGN**  
**THREE PHASE, OPEN DRIP PROOF (WP1) ENCLOSURE**  
**NON-REVERSE BALL TYPE RATCHET**  
**COUPLING INCLUDED**



**DIMENSIONS**

HP	RPM	Frame	MOUNTING DIMENSIONS													
			BD	AJ	AK	BF	BX	BZ	EW	R	BY	CD	EO >	AC	AA	AF
60	1787	364TP	16.5	14.75	13.5	0.69	1-1/4	1.75	0.25	1.366	1/4-20	31.16	4.56	12.56	3	5.83

OVERALL DIMENSIONS			BEARINGS	
P	AB	AG	UPPER	LOWER
19.1	16.32	36	7224B	6314

**COUPLING:** Motor comes with a 1.25" coupling. You may select a different size coupling at no extra charge.

**BEARING LUBRICATION:** The lower bearing comes lubricated with Mobil Polyrex EM Polyurea Grease.

**OIL RESERVOIR:** Motor is shipped without oil. The oil capacity is 1.94 quarts.

**STEADY BUSHING:** Motor is designed to accept a steady bushing. The bore size is 1-1/4 inches.





**V2-60S4-W36416A**





**VERTICAL HOLLOW SHAFT MOTOR**  
**NEMA PREMIUM EFFICIENCY**  
**INVERTER DUTY 20:1 VT**  
**INCLUDES INSULATED BEARING MOUNT - 40 HP AND ABOVE**  
**HIGH THRUST DESIGN**  
**THREE PHASE, OPEN DRIP PROOF (WP1) ENCLOSURE**  
**NON-REVERSE BALL TYPE RATCHET**  
**COUPLING INCLUDED**

**PERFORMANCE DATA**

HP	RPM	Frame	Voltage	Frequency (Hz)	Full Load S.F.	Insulation Class	NEMA Design	Slip (%)	NEMA Code	Enclosure Type	IP Rating	Max. Ambient	Rating CONT
60	1785	364TP	460	60	1.15	F	B	0.8	H	WP1	23	40° C	S1

Amps (460V)		Efficiency (%)				Power Factor			Torque (ft-lb)			Down Thrust (lbs.)	Angular Contact Bearing	Radial Ball Bearing	Connection	Weight (lbs.)
FLA	LRA	100%	75%	50%	Min.	100%	75%	50%	FLT	LRT %	BDT %	5600	UPPER	LOWER	6 Lead Δ	1024
68.3	530	95.0	94.8	93.9	94.1	0.87	0.84	0.76	174	230	265		7224B	6314		

**NAME PLATE**

 <p><b>VERTICAL HOLLOW SHAFT HIGH THRUST DESIGN</b></p> 							CONNECTION DIAGRAMS		
MODEL V2-60S4-W36416A				FRAME 364TP			PWS Start		
Hz	60	S.F.	1.15	ENCL	WP1	DESIGN	B	(T7) (T8) (T9)	
HP	60	RPM	1785	INS	F	PHASE	3	(T1) (T2) (T3)	
VOLTS	460	FLA	68.3	MAX.AMBIENT			40° C	L1 L2 L3	
Enclosure	ODP	IP	23	RATING			CONTINUOUS	Across The Line	
NEMA CODE	H	P.F.	0.87	MOTOR WEIGHT			1024 LBS.	(T7) (T8) (T9)	
NOM EFF	95.0	MIN EFF	94.1	CONNECTION			6 Lead Δ	(T1) (T2) (T3)	
DOWN THRUST	5600 LBS.		BASE DIAMETER		16.5 INCHES			L1 L2 L3	
UPPER BEARING	7224B		LOWER BEARING		6314			PWS Run	
OIL CAP. UPPER BEARING	1.94 QTS.		LUBRICATION		MOBIL POLYREX EM			(T7) (T8) (T9)	
NON-REVERSE RATCHET - BALL TYPE				SERIAL NO.				(T1) (T2) (T3)	
Specifically designed for use on deep well turbine pump applications.						CC082A		PART WIND START CAPABLE @ 460V	
Hernando, Mississippi				E310089		ROTATION 			
<b>MOTOR IS SUITABLE FOR INVERTER RATED 20:1 VT</b>									

**APPLICATIONS:**

Specifically designed for use on deep well turbine pump applications. The coupling is equipped with a non-reverse ratchet, which prevents motor rotation from backspin at shutdown. These motors are built to NEMA standards and have special bearing arrangements to carry heavy thrust loads.