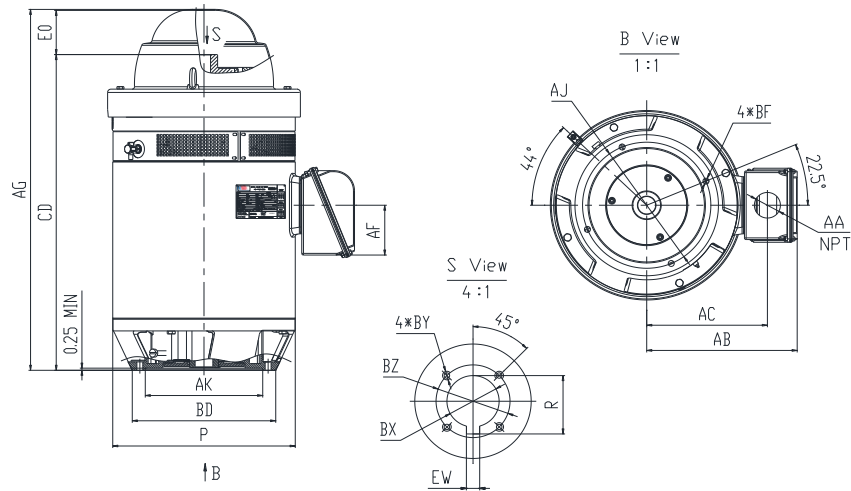




V2-200S4-W44516A

VERTICAL HOLLOW SHAFT MOTOR
NEMA PREMIUM EFFICIENCY
INVERTER DUTY 20:1 VT
INCLUDES INSULATED BEARING MOUNT - 40 HP AND ABOVE
HIGH THRUST DESIGN
THREE PHASE, OPEN DRIP PROOF (WP1) ENCLOSURE
NON-REVERSE BALL TYPE RATCHET
COUPLING INCLUDED



DIMENSIONS

| HP | RPM | Frame | MOUNTING DIMENSIONS | | | | | | | | | | | | | |
|-----|------|-------|---------------------|-------|------|------|---------|-----|-------|-------|--------|-------|------|-------|----|------|
| | | | BD | AJ | AK | BF | BX | BZ | EW | R | BY | CD | EO > | AC | AA | AF |
| 200 | 1788 | 445TP | 16.5 | 14.75 | 13.5 | 0.69 | 1-11/16 | 2.5 | 0.375 | 1.854 | 1/4-20 | 44.78 | 5.4 | 16.18 | 3 | 7.56 |

| OVERALL DIMENSIONS | | | BEARINGS | |
|--------------------|------|-------|----------|-------|
| P | AB | AG | UPPER | LOWER |
| 23.3 | 20.7 | 50.29 | 7232B | 6318 |

COUPLING: Motor comes with a 1.69" coupling. You may select a different size coupling at no extra charge.

BEARING LUBRICATION: The lower bearing comes lubricated with Mobil Polyrex EM Polyurea Grease.

OIL RESERVOIR: Motor is shipped without oil. The oil capacity is 5.61 quarts.

STEADY BUSHING: Motor is designed to accept a steady bushing. The bore size is 1-11/16 inches.





V2-200S4-W44516A

VERTICAL HOLLOW SHAFT MOTOR
NEMA PREMIUM EFFICIENCY
INVERTER DUTY 20:1 VT
INCLUDES INSULATED BEARING MOUNT - 40 HP AND ABOVE
HIGH THRUST DESIGN
THREE PHASE, OPEN DRIP PROOF (WP1) ENCLOSURE
NON-REVERSE BALL TYPE RATCHET
COUPLING INCLUDED

PERFORMANCE DATA

| HP | RPM | Frame | Voltage | Frequency (Hz) | Full Load S.F. | Insulation Class | NEMA Design | Slip (%) | NEMA Code | Enclosure Type | IP Rating | Max. Ambient | Rating CONT |
|-----|------|-------|---------|----------------|----------------|------------------|-------------|----------|-----------|----------------|-----------|--------------|-------------|
| 200 | 1788 | 445TP | 460 | 60 | 1.15 | F | B | 0.66 | G | WP1 | 23 | 40° C | S1 |

| Amps (460V) | | Efficiency (%) | | | | Power Factor | | | Torque (ft-lb) | | | Down Thrust (lbs.) | Angular Contact Bearing | Radial Ball Bearing | Connection | Weight (lbs.) |
|-------------|------|----------------|------|------|------|--------------|------|------|----------------|-------|-------|--------------------|-------------------------|---------------------|------------|---------------|
| FLA | LRA | 100% | 75% | 50% | Min. | 100% | 75% | 50% | FLT | LRT % | BDT % | 7200 | UPPER | LOWER | 6 Lead Δ | 2099 |
| 221 | 1462 | 95.8 | 94.8 | 93.7 | 95.0 | 0.88 | 0.88 | 0.83 | 584 | 166 | 220 | | 7200 | 7232B | | |

NAME PLATE

| | | | | | | | | | |
|--|------------------------------|------------------------|----------|-------------|--|---|----------------------------|--|--|
| VERTICAL HOLLOW SHAFT HIGH THRUST DESIGN | | | | | | | CONNECTION DIAGRAMS | | |
| MODEL V2-200S4-W44516A | | | | FRAME 445TP | | | PWS Start | | |
| Hz 60 | S.F. 1.15 | ENCL WP1 | DESIGN B | | | | | | |
| HP 200 | RPM 1788 | INS F | PHASE 3 | | | | Across The Line | | |
| VOLTS 460 | FLA 221 | MAX.AMBIENT 40° C | | | | | | | |
| Enclosure ODP | IP 23 | RATING CONTINUOUS | | | | PWS Run | | | |
| NEMA CODE G | P.F. 0.88 | MOTOR WEIGHT 2099 LBS. | | | | | | | |
| NOM EFF 95.8 | MIN EFF 95.0 | CONNECTION 6 Lead Δ | | | | PART WIND START CAPABLE @ 460V | | | |
| DOWN THRUST 7200 LBS. | BASE DIAMETER 16.5 INCHES | | | | | | | | |
| UPPER BEARING 7232B | LOWER BEARING 6318 | | | | | | | | |
| OIL CAP. UPPER BEARING 5.61 QTS. | LUBRICATION MOBIL POLYREX EM | | | | | | | | |
| NON-REVERSE RATCHET - BALL TYPE | SERIAL NO. | | | | | | | | |
| Specifically designed for use on deep well turbine pump applications. Hernando, Mississippi | | | CC082A | | | | | | |
| | E310089 | | ROTATION | | | | | | |

MOTOR IS SUITABLE FOR INVERTER RATED 20:1 VT

APPLICATIONS:

Specifically designed for use on deep well turbine pump applications. The coupling is equipped with a non-reverse ratchet, which prevents motor rotation from backspin at shutdown. These motors are built to NEMA standards and have special bearing arrangements to carry heavy thrust loads.