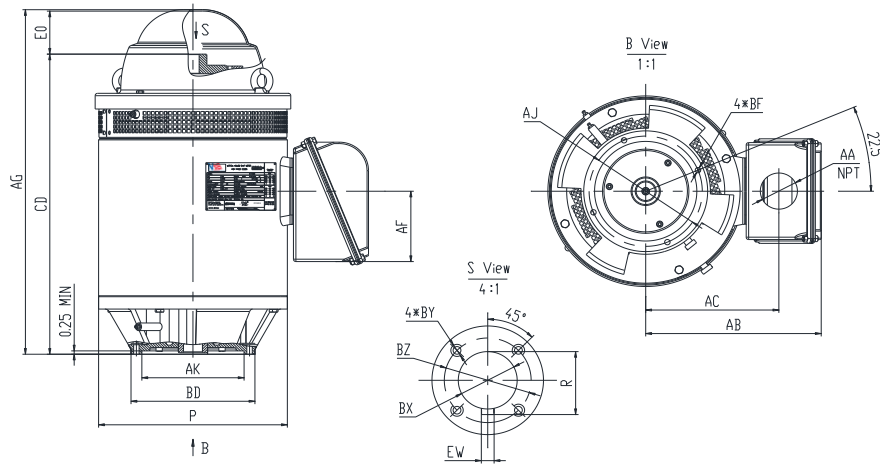




V2-15D4-W25410A

VERTICAL HOLLOW SHAFT MOTOR
NEMA PREMIUM EFFICIENCY
INVERTER DUTY 20:1 VT
INCLUDES INSULATED BEARING MOUNT - 40 HP AND ABOVE
HIGH THRUST DESIGN
THREE PHASE, OPEN DRIP PROOF (WP1) ENCLOSURE
NON-REVERSE BALL TYPE RATCHET
COUPLING INCLUDED



DIMENSIONS

HP	RPM	Frame	MOUNTING DIMENSIONS													
			BD	AJ	AK	BF	BX	BZ	EW	R	BY	CD	E0 >	AC	AA	AF
15	1785	254TP	10	9.125	8.25	0.44	1	1.38	0.25	1.114	10-32	23.38	3.22	10.6	3	5.83

OVERALL DIMENSIONS			BEARINGS	
P	AB	AG	UPPER	LOWER
15.24	14.17	26.8	6212	7312B

COUPLING: Motor comes with a 1.0" coupling. You may select a different size coupling at no extra charge.

BEARING LUBRICATION: The bearings comes lubricated with Mobil Polyrex EM Polyurea Grease.

STEADY BUSHING: Motor is designed to accept a steady bushing. The bore size is 1 inches.





V2-15D4-W25410A

VERTICAL HOLLOW SHAFT MOTOR
NEMA PREMIUM EFFICIENCY
INVERTER DUTY 20:1 VT
INCLUDES INSULATED BEARING MOUNT - 40 HP AND ABOVE
HIGH THRUST DESIGN
THREE PHASE, OPEN DRIP PROOF (WP1) ENCLOSURE
NON-REVERSE BALL TYPE RATCHET
COUPLING INCLUDED

PERFORMANCE DATA

HP	RPM	Frame	Voltage	Frequency (Hz)	Full Load S.F.	Insulation Class	NEMA Design	Slip (%)	NEMA Code	Enclosure Type	IP Rating	Max. Ambient	Rating CONT
15	1783	254TP	230/460	60	1.15	F	B	0.94	H	WP1	23	40° C	S1

Amps (460V)		Efficiency (%)				Power Factor			Torque (ft-lb)			Down Thrust (lbs.)	Radial Ball Bearing	Angular Contact Bearing	Connection	Weight (lbs.)
FLA	LRA	100%	75%	50%	Min.	100%	75%	50%	FLT	LRT %	BDT %	3200	UPPER	LOWER	12 Lead 2Δ/Δ	493
17.3	133	93.0	92.5	91.1	91.7	0.86	0.81	0.71	43	226	260		6212	7312B		

NAME PLATE

		VERTICAL HOLLOW SHAFT HIGH THRUST DESIGN						CONNECTION DIAGRAMS			
MODEL		V2-15D4-W25410A				FRAME		254TP			
Hz	60	S.F.	1.15	ENCL	WP1	DESIGN	B				
HP	15	RPM	1783	INS	F	PHASE	3				
VOLTS	230/460	FLA	34.6/17.3	MAX.AMBIENT			40° C				
Enclosure	ODP	IP	23	RATING			CONTINUOUS				
NEMA CODE	H	P.F.	0.86	MOTOR WEIGHT			493 LBS.				
NOM EFF	93.0	MIN EFF	91.7	CONNECTION			12 Lead 2Δ/Δ				
DOWN THRUST	3200 LBS.		BASE DIAMETER			10 INCHES					
UPPER BEARING	6212		LOWER BEARING			7312B					
LUBRICATION	MOBIL POLYREX EM		LUBRICATION			MOBIL POLYREX EM					
NON-REVERSE RATCHET - BALL TYPE				SERIAL NO.							
Specifically designed for use on deep well turbine pump applications. Hernando, Mississippi				CC082A		PART WIND START CAPABLE @ 230V					
		E310089		ROTATION							

MOTOR IS SUITABLE FOR INVERTER RATED 20:1 VT

APPLICATIONS:

Specifically designed for use on deep well turbine pump applications. The coupling is equipped with a non-reverse ratchet, which prevents motor rotation from backspin at shutdown. These motors are built to NEMA standards and have special bearing arrangements to carry heavy thrust loads.