



## V2-25D4-W28410A

VERTICAL HOLLOW SHAFT MOTOR

NEMA PREMIUM EFFICIENCY

INVERTER DUTY 20:1 VT

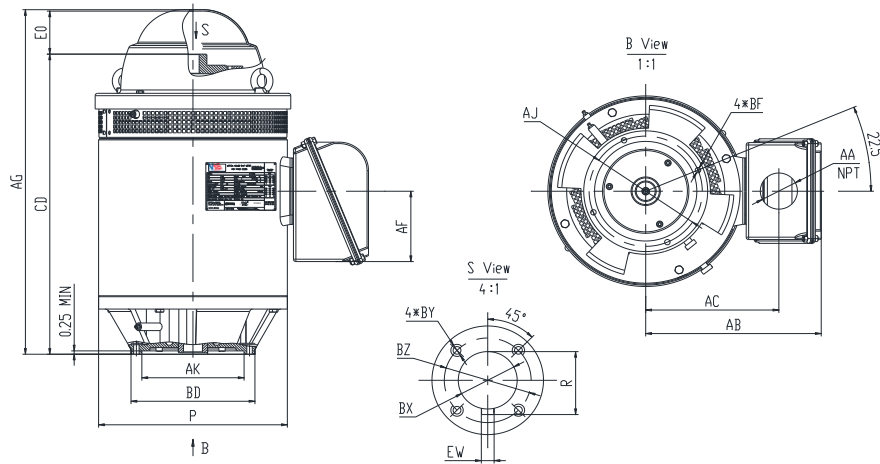
INCLUDES INSULATED BEARING MOUNT - 40 HP AND ABOVE

HIGH THRUST DESIGN

THREE PHASE, OPEN DRIP PROOF (WP1) ENCLOSURE

NON-REVERSE BALL TYPE RATCHET

COUPLING INCLUDED



### DIMENSIONS

HP	RPM	Frame	MOUNTING DIMENSIONS													
			BD	AJ	AK	BF	BX	BZ	EW	R	BY	CD	E0 >	AC	AA	AF
25	1785	284TP	10	9.125	8.25	0.44	1	1.38	0.25	1.114	10-32	24.75	3.22	10.6	3	5.83

OVERALL DIMENSIONS			BEARINGS	
P	AB	AG	UPPER	LOWER
15.24	14.17	28.2	6212	7312B

**COUPLING:** Motor comes with a 1.0" coupling. You may select a different size coupling at no extra charge.

**BEARING LUBRICATION:** The bearings comes lubricated with Mobil Polyrex EM Polyurea Grease.

**STEADY BUSHING:** Motor is designed to accept a steady bushing. The bore size is 1 inches.





**V2-25D4-W28410A**





**VERTICAL HOLLOW SHAFT MOTOR**  
**NEMA PREMIUM EFFICIENCY**  
**INVERTER DUTY 20:1 VT**  
**INCLUDES INSULATED BEARING MOUNT - 40 HP AND ABOVE**  
**HIGH THRUST DESIGN**  
**THREE PHASE, OPEN DRIP PROOF (WP1) ENCLOSURE**  
**NON-REVERSE BALL TYPE RATCHET**  
**COUPLING INCLUDED**

**PERFORMANCE DATA**

HP	RPM	Frame	Voltage	Frequency (Hz)	Full Load S.F.	Insulation Class	NEMA Design	Slip (%)	NEMA Code	Enclosure Type	IP Rating	Max. Ambient	Rating CONT
25	1780	284TP	230/460	60	1.15	F	B	0.96	H	WP1	23	40° C	S1

Amps (460V)		Efficiency (%)				Power Factor			Torque (ft-lb)			Down Thrust (lbs.)	Radial Ball Bearing	Angular Contact Bearing	Connection	Weight (lbs.)
FLA	LRA	100%	75%	50%	Min.	100%	75%	50%	FLT	LRT %	BDT %	3200	UPPER	LOWER	12 Lead 2Δ/Δ	554
28.8	222	93.6	93.2	91.9	92.4	0.86	0.82	0.72	72	238	270		6212	7312B		

**NAME PLATE**

 <b>VERTICAL HOLLOW SHAFT HIGH THRUST DESIGN</b> 						<b>CONNECTION DIAGRAMS</b>		
<b>MODEL</b> V2-25D4-W28410A						<b>FRAME</b> 284TP		
<b>Hz</b> 60		<b>S.F.</b> 1.15		<b>ENCL</b> WP1		<b>DESIGN</b> B		
<b>HP</b> 25		<b>RPM</b> 1780		<b>INS</b> F		<b>PHASE</b> 3		
<b>VOLTS</b> 230/460		<b>FLA</b> 57.6/28.8		<b>MAX.AMBIENT</b> 40° C				
<b>Enclosure</b> ODP		<b>IP</b> 23		<b>RATING</b> CONTINUOUS				
<b>NEMA CODE</b> H		<b>P.F.</b> 0.86		<b>MOTOR WEIGHT</b> 554		<b>LBS.</b>		
<b>NOM EFF</b> 93.6		<b>MIN EFF</b> 92.4		<b>CONNECTION</b> 12 Lead 2Δ/Δ				
<b>DOWN THRUST</b> 3200		<b>LBS.</b>		<b>BASE DIAMETER</b> 10		<b>INCHES</b>		
<b>UPPER BEARING</b> 6212				<b>LOWER BEARING</b> 7312B				
<b>LUBRICATION</b> MOBIL POLYREX EM				<b>LUBRICATION</b> MOBIL POLYREX EM				
<b>NON-REVERSE RATCHET - BALL TYPE</b>				<b>SERIAL NO.</b>				
Specifically designed for use on deep well turbine pump applications. Hernando, Mississippi				<b>CC082A</b>		<b>PART WIND START CAPABLE @ 230V</b>		
		<b>E310089</b>		<b>ROTATION</b> 				

**MOTOR IS SUITABLE FOR INVERTER RATED 20:1 VT**

**APPLICATIONS:**

Specifically designed for use on deep well turbine pump applications. The coupling is equipped with a non-reverse ratchet, which prevents motor rotation from backspin at shutdown. These motors are built to NEMA standards and have special bearing arrangements to carry heavy thrust loads.