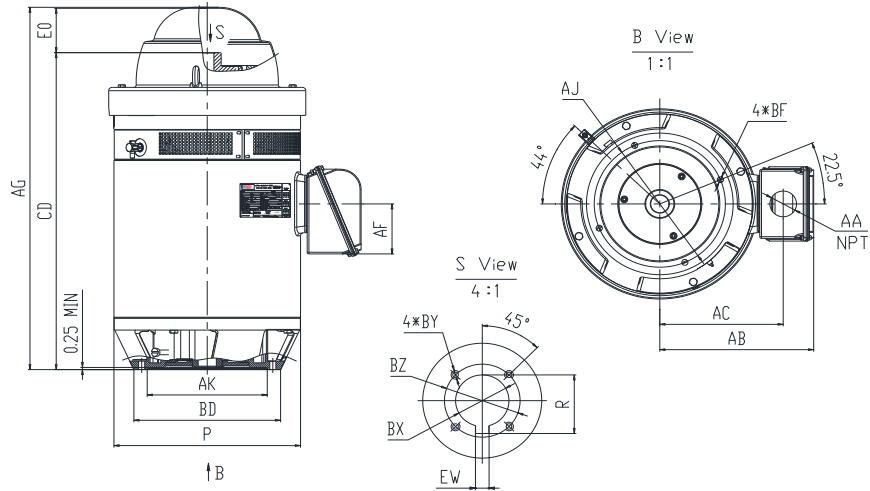




V2-150S4-W44416A-EHT

- VERTICAL HOLLOW SHAFT MOTOR
- NEMA PREMIUM EFFICIENCY
- INVERTER DUTY 20:1 VT
- INCLUDES INSULATED BEARING MOUNT - 40 HP AND ABOVE
- EXTRA HIGH THRUST DESIGN
- THREE PHASE, OPEN DRIP PROOF (WP1) ENCLOSURE
- NON-REVERSE BALL TYPE RATCHET
- COUPLING INCLUDED



DIMENSIONS

HP	RPM	Frame	MOUNTING DIMENSIONS													
			BD	AJ	AK	BF	BX	BZ	EW	R	BY	CD	E0 >	AC	AA	AF
150	1788	444TP	16.5	14.75	13.5	0.69	1-11/16	2.5	0.375	1.854	1/4-20	44.78	5.4	16.18	3	7.56

OVERALL DIMENSIONS			BEARINGS	
P	AB	AG	UPPER	LOWER
23.3	20.7	50.29	7232B/DT	6318

COUPLING: Motor comes with a 1.69" coupling. You may select a different size coupling at no extra charge.

BEARING LUBRICATION: The lower bearing comes lubricated with Mobil Polyrex EM Polyurea Grease.

OIL RESERVOIR: Motor is shipped without oil. The oil capacity is 5.61 quarts.

STEADY BUSHING: Motor is designed to accept a steady bushing. The bore size is 1-11/16 inches.





V2-150S4-W44416A-EHT

VERTICAL HOLLOW SHAFT MOTOR

NEMA PREMIUM EFFICIENCY

INVERTER DUTY 20:1 VT

INCLUDES INSULATED BEARING MOUNT - 40 HP AND ABOVE

EXTRA HIGH THRUST DESIGN

THREE PHASE, OPEN DRIP PROOF (WP1) ENCLOSURE

NON-REVERSE BALL TYPE RATCHET



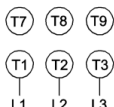


COUPLING INCLUDED

PERFORMANCE DATA

HP	RPM	Frame	Voltage	Frequency (Hz)	Full Load S.F.	Insulation Class	NEMA Design	Slip (%)	NEMA Code	Enclosure Type	IP Rating	Max. Ambient	Rating CONT
150	1788	444TP	460	60	1.15	F	B	0.66	H	WP1	23	40° C	S1

Amps (460V)		Efficiency (%)				Power Factor			Torque (ft-lb)			Down Thrust (lbs.)	Angular Contact Bearing	Radial Ball Bearing	Connection	Weight (lbs.)
FLA	LRA	100%	75%	50%	Min.	100%	75%	50%	FLT	LRT %	BDT %	14400	UPPER	LOWER	6 Lead Δ	1984
165	1188	95.8	93.8	91.8	95.0	0.88	0.88	0.82	438	196	220		7232B/DT	6318		

NAME PLATE

 VERTICAL HOLLOW SHAFT EXTRA HIGH THRUST DESIGN 										CONNECTION DIAGRAMS			
MODEL V2-150S4-W44416A-EHT					FRAME 444TP					PWS Start 			
Hz	60	S.F.	1.15	ENCL	WP1	DESIGN	B						
HP	150	RPM	1788	INS	F	PHASE	3						
VOLTS	460	FLA	165	MAX.AMBIENT			40° C						
Enclosure	ODP	IP	23	RATING			CONTINUOUS						
NEMA CODE	H	P.F.	0.88	MOTOR WEIGHT			1984 LBS.						
NOM EFF	95.8	MIN EFF	95.0	CONNECTION			6 Lead Δ						
DOWN THRUST		14400 LBS.		BASE DIAMETER			16.5 INCHES						
UPPER BEARING		7232B/DT (X 2) EHT		LOWER BEARING			6318						
OIL CAP. UPPER BEARING		5.61 QTS.		LUBRICATION			MOBIL POLYREX EM						
NON-REVERSE RATCHET - BALL TYPE				SERIAL NO.									
Specifically designed for use on deep well turbine pump applications. Hernando, Mississippi								CC082A					
				ROTATION 				PART WIND START CAPABLE @ 460V					
MOTOR IS SUITABLE FOR INVERTER RATED 20:1 VT													

APPLICATIONS:

Specifically designed for use on deep well turbine pump applications. The coupling is equipped with a non-reverse ratchet, which prevents motor rotation from backspin at shutdown. These motors are built to NEMA standards and have special bearing arrangements to carry heavy thrust loads.