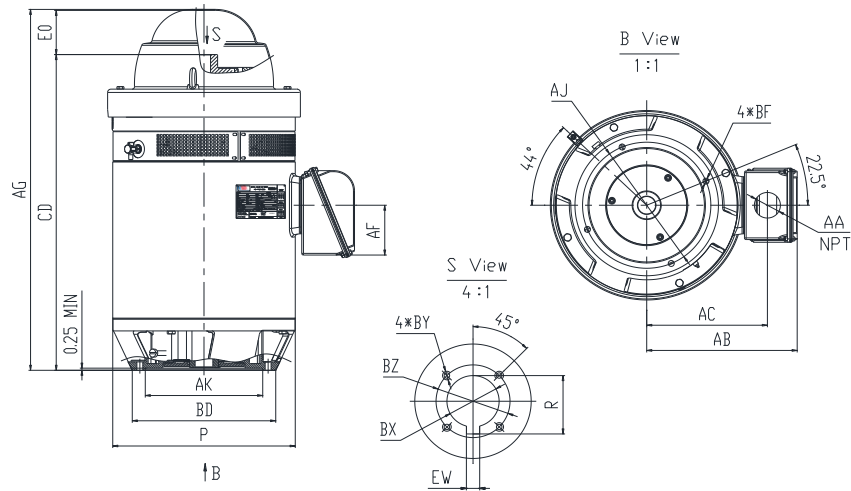




V2-40S4-W32416B

VERTICAL HOLLOW SHAFT MOTOR
NEMA PREMIUM EFFICIENCY
INVERTER DUTY 20:1 VT
INCLUDES INSULATED BEARING MOUNT - 40 HP AND ABOVE
HIGH THRUST DESIGN
THREE PHASE, OPEN DRIP PROOF (WP1) ENCLOSURE
NON-REVERSE BALL TYPE RATCHET
COUPLING INCLUDED



DIMENSIONS

HP	RPM	Frame	MOUNTING DIMENSIONS													
			BD	AJ	AK	BF	BX	BZ	EW	R	BY	CD	EO >	AC	AA	AF
40	1785	324TP	16.5	14.75	13.5	0.69	1-3/16	1.75	0.25	1.304	1/4-20	28.22	4.22	11.65	3	5.83

OVERALL DIMENSIONS			BEARINGS	
P	AB	AG	UPPER	LOWER
17.32	15.44	32.7	7221B	6213

COUPLING: Motor comes with a 1.188" coupling. You may select a different size coupling at no extra charge.

BEARING LUBRICATION: The lower bearing comes lubricated with Mobil Polyrex EM Polyurea Grease.

OIL RESERVOIR: Motor is shipped without oil. The oil capacity is 1.75 quarts.

STEADY BUSHING: Motor is designed to accept a steady bushing. The bore size is 1-3/16 inches.





V2-40S4-W32416B

VERTICAL HOLLOW SHAFT MOTOR
NEMA PREMIUM EFFICIENCY
INVERTER DUTY 20:1 VT
INCLUDES INSULATED BEARING MOUNT - 40 HP AND ABOVE
HIGH THRUST DESIGN
THREE PHASE, OPEN DRIP PROOF (WP1) ENCLOSURE
NON-REVERSE BALL TYPE RATCHET
COUPLING INCLUDED

PERFORMANCE DATA

HP	RPM	Frame	Voltage	Frequency (Hz)	Full Load S.F.	Insulation Class	NEMA Design	Slip (%)	NEMA Code	Enclosure Type	IP Rating	Max. Ambient	Rating CONT
40	1784	324TP	460	60	1.15	F	B	0.9	H	WP1	23	40° C	S1

Amps (460V)		Efficiency (%)				Power Factor			Torque (ft-lb)			Down Thrust (lbs.)	Angular Contact Bearing	Radial Ball Bearing	Connection	Weight (lbs.)
FLA	LRA	100%	75%	50%	Min.	100%	75%	50%	FLT	LRT %	BDT %	5500	UPPER	LOWER	6 Lead Δ	780
46	333	94.1	93.9	92.8	93.0	0.87	0.84	0.77	116	211	250		7221B	6213		

NAME PLATE

VERTICAL HOLLOW SHAFT HIGH THRUST DESIGN							CONNECTION DIAGRAMS		
MODEL V2-40S4-W32416B				FRAME 324TP			PWS Start 		
Hz 60	S.F. 1.15	ENCL WP1	DESIGN B						
HP 40	RPM 1784	INS F	PHASE 3				Across The Line 		
VOLTS 460	FLA 46	MAX.AMBIENT 40° C							
Enclosure ODP	IP 23	RATING CONTINUOUS				PWS Run 			
NEMA CODE H	P.F. 0.87	MOTOR WEIGHT 780 LBS.							
NOM EFF 94.1	MIN EFF 93.0	CONNECTION 6 Lead Δ							
DOWN THRUST 5500 LBS.	BASE DIAMETER 16.5 INCHES								
UPPER BEARING 7221B	LOWER BEARING 6213								
OIL CAP. UPPER BEARING 1.75 QTS.	LUBRICATION MOBIL POLYREX EM								
NON-REVERSE RATCHET - BALL TYPE	SERIAL NO.								
Specifically designed for use on deep well turbine pump applications. Hernando, Mississippi	CC082A E310089					PART WIND START CAPABLE @ 460V			
	ROTATION								
MOTOR IS SUITABLE FOR INVERTER RATED 20:1 VT									

APPLICATIONS:

Specifically designed for use on deep well turbine pump applications. The coupling is equipped with a non-reverse ratchet, which prevents motor rotation from backspin at shutdown. These motors are built to NEMA standards and have special bearing arrangements to carry heavy thrust loads.