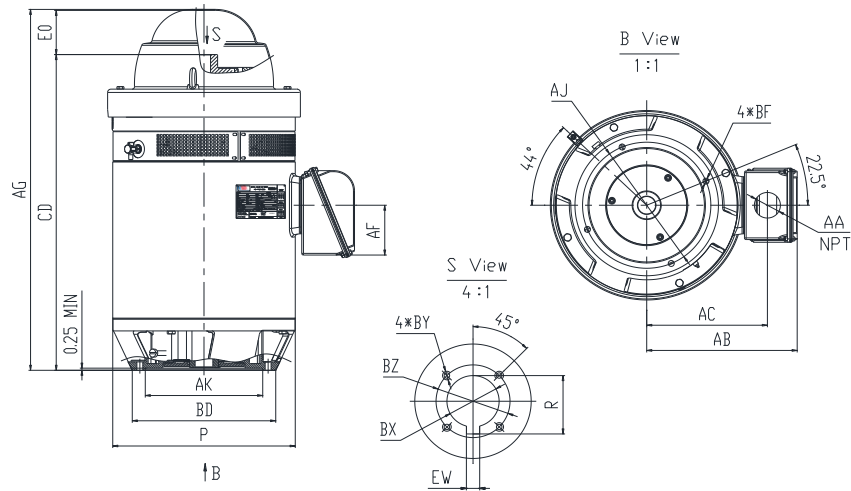




**V2-150S4-W44416A**

**VERTICAL HOLLOW SHAFT MOTOR**  
**NEMA PREMIUM EFFICIENCY**  
**INVERTER DUTY 20:1 VT**  
**INCLUDES INSULATED BEARING MOUNT - 40 HP AND ABOVE**  
**HIGH THRUST DESIGN**  
**THREE PHASE, OPEN DRIP PROOF (WP1) ENCLOSURE**  
**NON-REVERSE BALL TYPE RATCHET**  
**COUPLING INCLUDED**



**DIMENSIONS**

HP	RPM	Frame	MOUNTING DIMENSIONS													
			BD	AJ	AK	BF	BX	BZ	EW	R	BY	CD	EO >	AC	AA	AF
150	1788	444TP	16.5	14.75	13.5	0.69	1-11/16	2.5	0.375	1.854	1/4-20	44.78	5.4	16.18	3	7.56

OVERALL DIMENSIONS			BEARINGS	
P	AB	AG	UPPER	LOWER
23.3	20.7	50.29	7232B	6318

**COUPLING:** Motor comes with a 1.69" coupling. You may select a different size coupling at no extra charge.

**BEARING LUBRICATION:** The lower bearing comes lubricated with Mobil Polyrex EM Polyurea Grease.

**OIL RESERVOIR:** Motor is shipped without oil. The oil capacity is 5.61 quarts.

**STEADY BUSHING:** Motor is designed to accept a steady bushing. The bore size is 1-11/16 inches.





**V2-150S4-W44416A**

**VERTICAL HOLLOW SHAFT MOTOR**  
**NEMA PREMIUM EFFICIENCY**  
**INVERTER DUTY 20:1 VT**  
**INCLUDES INSULATED BEARING MOUNT - 40 HP AND ABOVE**  
**HIGH THRUST DESIGN**  
**THREE PHASE, OPEN DRIP PROOF (WP1) ENCLOSURE**  
**NON-REVERSE BALL TYPE RATCHET**  
**COUPLING INCLUDED**

**PERFORMANCE DATA**

HP	RPM	Frame	Voltage	Frequency (Hz)	Full Load S.F.	Insulation Class	NEMA Design	Slip (%)	NEMA Code	Enclosure Type	IP Rating	Max. Ambient	Rating CONT
150	1788	444TP	460	60	1.15	F	B	0.66	H	WP1	23	40° C	S1

Amps (460V)		Efficiency (%)				Power Factor			Torque (ft-lb)			Down Thrust (lbs.)	Angular Contact Bearing	Radial Ball Bearing	Connection	Weight (lbs.)
FLA	LRA	100%	75%	50%	Min.	100%	75%	50%	FLT	LRT %	BDT %	7200	UPPER	LOWER	6 Lead Δ	1984
165	1188	95.8	93.8	91.8	95.0	0.88	0.88	0.82	438	196	220		7232B	6318		

**NAME PLATE**

						<b>VERTICAL HOLLOW SHAFT HIGH THRUST DESIGN</b>												<b>CONNECTION DIAGRAMS</b>											
MODEL						V2-150S4-W44416A						FRAME						444TP						<b>PWS Start</b> 					
Hz		60		S.F.		1.15		ENCL		WP1		DESIGN		B															
HP		150		RPM		1788		INS		F		PHASE		3															
VOLTS		460		FLA		165		MAX.AMBIENT						40° C															
Enclosure		ODP		IP		23		RATING						CONTINUOUS															
NEMA CODE		H		P.F.		0.88		MOTOR WEIGHT						1984 LBS.															
NOM EFF		95.8		MIN EFF		95.0		CONNECTION						6 Lead Δ															
DOWN THRUST		7200		LBS.		BASE DIAMETER		16.5		INCHES																			
UPPER BEARING		7232B		LOWER BEARING		6318		<b>PWS Run</b> 																					
OIL CAP. UPPER BEARING		5.61		QTS.		LUBRICATION						MOBIL POLYREX EM																	
NON-REVERSE RATCHET - BALL TYPE						SERIAL NO.																							
Specifically designed for use on deep well turbine pump applications. Hernando, Mississippi												CC082A						PART WIND START CAPABLE @ 460V											
						E310089						ROTATION																	

**MOTOR IS SUITABLE FOR INVERTER RATED 20:1 VT**

**APPLICATIONS:**

Specifically designed for use on deep well turbine pump applications. The coupling is equipped with a non-reverse ratchet, which prevents motor rotation from backspin at shutdown. These motors are built to NEMA standards and have special bearing arrangements to carry heavy thrust loads.