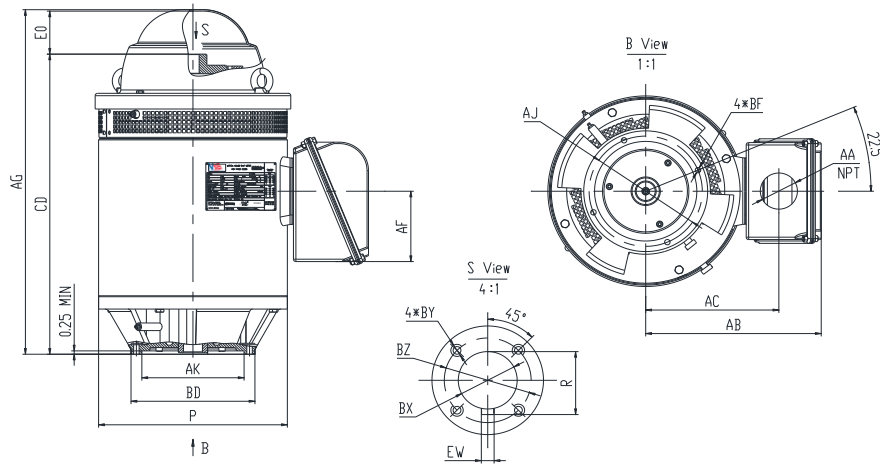




**V2-30D4-W28610A**

**VERTICAL HOLLOW SHAFT MOTOR**  
**NEMA PREMIUM EFFICIENCY**  
**INVERTER DUTY 20:1 VT**  
**INCLUDES INSULATED BEARING MOUNT - 40 HP AND ABOVE**  
**HIGH THRUST DESIGN**  
**THREE PHASE, OPEN DRIP PROOF (WP1) ENCLOSURE**  
**NON-REVERSE BALL TYPE RATCHET**  
**COUPLING INCLUDED**



**DIMENSIONS**

HP	RPM	Frame	MOUNTING DIMENSIONS													
			BD	AJ	AK	BF	BX	BZ	EW	R	BY	CD	E0 >	AC	AA	AF
30	1785	286TP	10	9.125	8.25	0.44	1	1.38	0.25	1.114	10-32	24.75	3.22	10.6	3	5.83

OVERALL DIMENSIONS			BEARINGS	
P	AB	AG	UPPER	LOWER
15.24	14.17	28.2	6212	7312B

**COUPLING:** Motor comes with a 1.0" coupling. You may select a different size coupling at no extra charge.

**BEARING LUBRICATION:** The bearings comes lubricated with Mobil Polyrex EM Polyurea Grease.

**STEADY BUSHING:** Motor is designed to accept a steady bushing. The bore size is 1 inches.





## V2-30D4-W28610A

**VERTICAL HOLLOW SHAFT MOTOR**  
**NEMA PREMIUM EFFICIENCY**  
**INVERTER DUTY 20:1 VT**  
**INCLUDES INSULATED BEARING MOUNT - 40 HP AND ABOVE**  
**HIGH THRUST DESIGN**  
**THREE PHASE, OPEN DRIP PROOF (WP1) ENCLOSURE**  
**NON-REVERSE BALL TYPE RATCHET**  
**COUPLING INCLUDED**

### PERFORMANCE DATA

HP	RPM	Frame	Voltage	Frequency (Hz)	Full Load S.F.	Insulation Class	NEMA Design	Slip (%)	NEMA Code	Enclosure Type	IP Rating	Max. Ambient	Rating CONT
30	1780	286TP	230/460	60	1.15	F	B	1.15	H	WP1	23	40° C	S1

Amps (460V)		Efficiency (%)				Power Factor			Torque (ft-lb)			Down Thrust (lbs.)	Radial Ball Bearing	Angular Contact Bearing	Connection	Weight (lbs.)
FLA	LRA	100%	75%	50%	Min.	100%	75%	50%	FLT	LRT %	BDT %	3200	UPPER	LOWER	12 Lead 2Δ/Δ	572
34.1	246	94.1	93.9	92.9	93.0	0.86	0.83	0.74	85	236	275		6212	7312B		

### NAME PLATE

		<b>VERTICAL HOLLOW SHAFT HIGH THRUST DESIGN</b>						<b>CONNECTION DIAGRAMS</b>				
MODEL		V2-30D4-W28610A				FRAME		286TP				
Hz	60	S.F.	1.15		ENCL	WP1		DESIGN	B			
HP	30	RPM	1780		INS	F		PHASE	3			
VOLTS	230/460		FLA	68.2/34.1		MAX.AMBIENT			40° C			
Enclosure	ODP	IP	23		RATING			CONTINUOUS				
NEMA CODE	H	P.F.	0.86		MOTOR WEIGHT			572 LBS.				
NOM EFF	94.1	MIN EFF	93.0		CONNECTION			12 Lead 2Δ/Δ				
DOWN THRUST	3200 LBS.		BASE DIAMETER			10 INCHES						
UPPER BEARING	6212		LOWER BEARING			7312B						
LUBRICATION	MOBIL POLYREX EM		LUBRICATION			MOBIL POLYREX EM						
NON-REVERSE RATCHET - BALL TYPE		SERIAL NO.										
Specifically designed for use on deep well turbine pump applications. Hernando, Mississippi				E310089		CC082A		PART WIND START CAPABLE @ 230V				
		ROTATION										
<b>MOTOR IS SUITABLE FOR INVERTER RATED 20:1 VT</b>												

### APPLICATIONS:

Specifically designed for use on deep well turbine pump applications. The coupling is equipped with a non-reverse ratchet, which prevents motor rotation from backspin at shutdown. These motors are built to NEMA standards and have special bearing arrangements to carry heavy thrust loads.