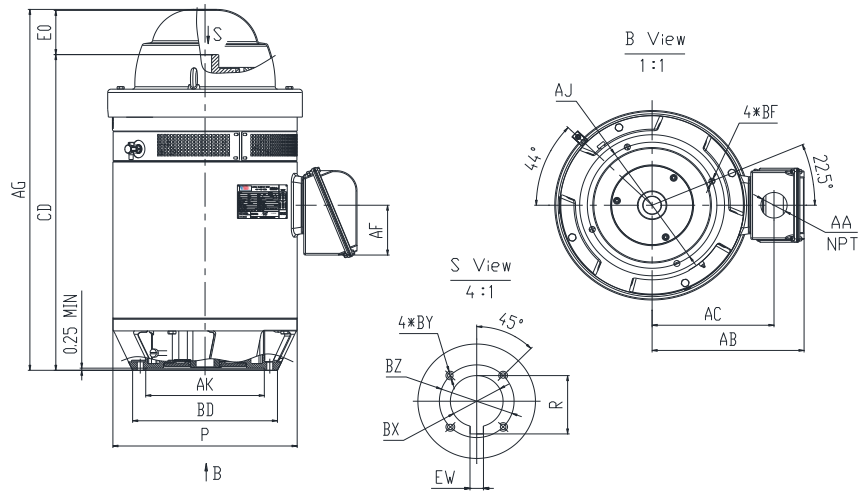




**V2-40D4-W32416B**

**VERTICAL HOLLOW SHAFT MOTOR**  
**NEMA PREMIUM EFFICIENCY**  
**INVERTER DUTY 20:1 VT**  
**INCLUDES INSULATED BEARING MOUNT - 40 HP AND ABOVE**  
**HIGH THRUST DESIGN**  
**THREE PHASE, OPEN DRIP PROOF (WP1) ENCLOSURE**  
**NON-REVERSE BALL TYPE RATCHET**  
**COUPLING INCLUDED**



**DIMENSIONS**

HP	RPM	Frame	MOUNTING DIMENSIONS													
			BD	AJ	AK	BF	BX	BZ	EW	R	BY	CD	E0 >	AC	AA	AF
40	1785	324TP	16.5	14.75	13.5	0.69	1-3/16	1.75	0.25	1.304	1/4-20	28.22	4.22	11.65	3	5.83

OVERALL DIMENSIONS			BEARINGS	
P	AB	AG	UPPER	LOWER
17.32	15.44	32.7	7221B	6213

**COUPLING:** Motor comes with a 1.188" coupling. You may select a different size coupling at no extra charge.

**BEARING LUBRICATION:** The lower bearing comes lubricated with Mobil Polyrex EM Polyurea Grease.

**OIL RESERVOIR:** Motor is shipped without oil. The oil capacity is 1.75 quarts.

**STEADY BUSHING:** Motor is designed to accept a steady bushing. The bore size is 1-3/16 inches.





**V2-40D4-W32416B**

**VERTICAL HOLLOW SHAFT MOTOR**  
**NEMA PREMIUM EFFICIENCY**  
**INVERTER DUTY 20:1 VT**  
**INCLUDES INSULATED BEARING MOUNT - 40 HP AND ABOVE**  
**HIGH THRUST DESIGN**  
**THREE PHASE, OPEN DRIP PROOF (WP1) ENCLOSURE**  
**NON-REVERSE BALL TYPE RATCHET**  
**COUPLING INCLUDED**

**PERFORMANCE DATA**

HP	RPM	Frame	Voltage	Frequency (Hz)	Full Load S.F.	Insulation Class	NEMA Design	Slip (%)	NEMA Code	Enclosure Type	IP Rating	Max. Ambient	Rating CONT
40	1784	324TP	230/460	60	1.15	F	B	0.93	H	WP1	23	40° C	S1

Amps (460V)		Efficiency (%)				Power Factor			Torque (ft-lb)			Down Thrust (lbs.)	Angular Contact Bearing	Radial Ball Bearing	Connection	Weight (lbs.)
FLA	LRA	100%	75%	50%	Min.	100%	75%	50%	FLT	LRT %	BDT %	5500	UPPER	LOWER	12 Lead 2Δ/Δ	780
46	333	94.1	93.9	92.8	93.0	0.87	0.84	0.77	116	211	250		7221B	6213		

**NAME PLATE**

<b>VERTICAL HOLLOW SHAFT HIGH THRUST DESIGN</b>										CONNECTION DIAGRAMS	
MODEL V2-40D4-W32416B					FRAME 324TP					<p style="text-align: center;"><b>230V</b></p> <p style="text-align: center;"><b>460V</b></p>	
Hz	60	S.F.	1.15	ENCL	WP1	DESIGN	B				
HP	40	RPM	1784	INS	F	PHASE	3				
VOLTS	230/460	FLA	92/46	MAX.AMBIENT		40° C					
Enclosure	ODP	IP	23	RATING		CONTINUOUS					
NEMA CODE	H	P.F.	0.87	MOTOR WEIGHT		780 LBS.					
NOM EFF	94.1	MIN EFF	93.0	CONNECTION		12 Lead 2Δ/Δ					
DOWN THRUST	5500 LBS.		BASE DIAMETER		16.5 INCHES						
UPPER BEARING	7221B		LOWER BEARING		6213						
OIL CAP. UPPER BEARING	1.75 QTS.		LUBRICATION		MOBIL POLYREX EM						
NON-REVERSE RATCHET - BALL TYPE				SERIAL NO.							
Specifically designed for use on deep well turbine pump applications. Hernando, Mississippi								CC082A		PART WIND START CAPABLE @ 230V	
				E310089				ROTATION			
<b>MOTOR IS SUITABLE FOR INVERTER RATED 20:1 VT</b>											

**APPLICATIONS:**

Specifically designed for use on deep well turbine pump applications. The coupling is equipped with a non-reverse ratchet, which prevents motor rotation from backspin at shutdown. These motors are built to NEMA standards and have special bearing arrangements to carry heavy thrust loads.