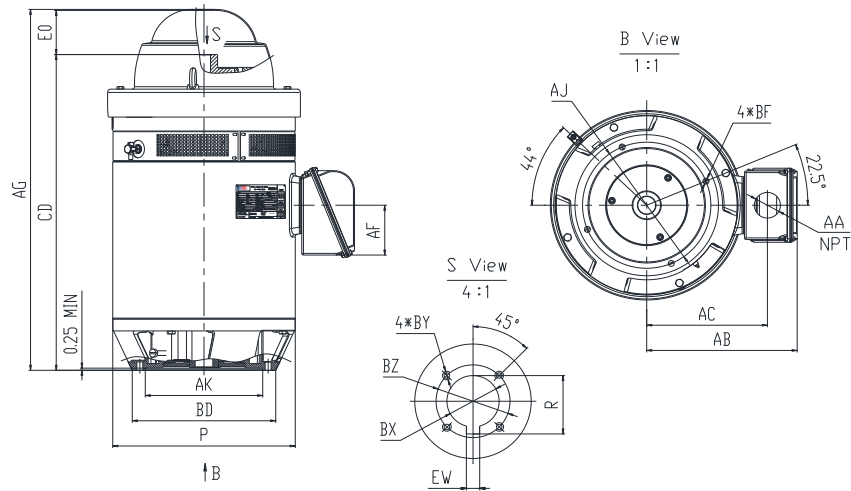




**V2-75S4-W36516B**

**VERTICAL HOLLOW SHAFT MOTOR**  
**NEMA PREMIUM EFFICIENCY**  
**INVERTER DUTY 20:1 VT**  
**INCLUDES INSULATED BEARING MOUNT - 40 HP AND ABOVE**  
**HIGH THRUST DESIGN**  
**THREE PHASE, OPEN DRIP PROOF (WP1) ENCLOSURE**  
**NON-REVERSE BALL TYPE RATCHET**  
**COUPLING INCLUDED**



**DIMENSIONS**

HP	RPM	Frame	MOUNTING DIMENSIONS													
			BD	AJ	AK	BF	BX	BZ	EW	R	BY	CD	E0 >	AC	AA	AF
75	1787	365TP	16.5	14.75	13.5	0.69	1-3/16	1.75	0.25	1.304	1/4-20	31.16	4.56	12.56	3	5.83

OVERALL DIMENSIONS			BEARINGS	
P	AB	AG	UPPER	LOWER
19.1	16.32	36	7224B	6314

**COUPLING:** Motor comes with a 1.188" coupling. You may select a different size coupling at no extra charge.

**BEARING LUBRICATION:** The lower bearing comes lubricated with Mobil Polyrex EM Polyurea Grease.

**OIL RESERVOIR:** Motor is shipped without oil. The oil capacity is 1.94 quarts.

**STEADY BUSHING:** Motor is designed to accept a steady bushing. The bore size is 1-3/16 inches.





**V2-75S4-W36516B**

**VERTICAL HOLLOW SHAFT MOTOR**  
**NEMA PREMIUM EFFICIENCY**  
**INVERTER DUTY 20:1 VT**  
**INCLUDES INSULATED BEARING MOUNT - 40 HP AND ABOVE**  
**HIGH THRUST DESIGN**  
**THREE PHASE, OPEN DRIP PROOF (WP1) ENCLOSURE**  
**NON-REVERSE BALL TYPE RATCHET**  
**COUPLING INCLUDED**

**PERFORMANCE DATA**

HP	RPM	Frame	Voltage	Frequency (Hz)	Full Load S.F.	Insulation Class	NEMA Design	Slip (%)	NEMA Code	Enclosure Type	IP Rating	Max. Ambient	Rating CONT
75	1785	365TP	460	60	1.15	F	B	0.8	H	WP1	23	40° C	S1

Amps (460V)		Efficiency (%)				Power Factor			Torque (ft-lb)			Down Thrust (lbs.)	Angular Contact Bearing	Radial Ball Bearing	Connection	Weight (lbs.)
FLA	LRA	100%	75%	50%	Min.	100%	75%	50%	FLT	LRT %	BDT %	5600	UPPER	LOWER	6 Lead Δ	1053
85	665	95.0	94.7	93.5	94.1	0.87	0.85	0.79	217	235	270		7224B	6314		

**NAME PLATE**

<b>VERTICAL HOLLOW SHAFT HIGH THRUST DESIGN</b>							CONNECTION DIAGRAMS					
MODEL V2-75S4-W36516B				FRAME 365TP			PWS Start					
Hz	60	S.F.	1.15	ENCL	WP1	DESIGN	B	  L1 L2 L3				
HP	75	RPM	1785	INS	F	PHASE	3	Across The Line				
VOLTS	460	FLA	85	MAX.AMBIENT			40° C			  L1 L2 L3		
Enclosure	ODP	IP	23	RATING			CONTINUOUS			PWS Run		
NEMA CODE	H	P.F.	0.87	MOTOR WEIGHT			1053 LBS.			  L1 L2 L3		
NOM EFF	95.0	MIN EFF	94.1	CONNECTION			6 Lead Δ			PART WIND START CAPABLE @ 460V		
DOWN THRUST	5600 LBS.		BASE DIAMETER			16.5 INCHES						
UPPER BEARING	7224B			LOWER BEARING			6314					
OIL CAP. UPPER BEARING	1.94 QTS.		LUBRICATION			MOBIL POLYREX EM						
NON-REVERSE RATCHET - BALL TYPE				SERIAL NO.								
Specifically designed for use on deep well turbine pump applications.  Hernando, Mississippi				 E310089			CC082A					
				ROTATION								
<b>MOTOR IS SUITABLE FOR INVERTER RATED 20:1 VT</b>												

**APPLICATIONS:**

Specifically designed for use on deep well turbine pump applications. The coupling is equipped with a non-reverse ratchet, which prevents motor rotation from backspin at shutdown. These motors are built to NEMA standards and have special bearing arrangements to carry heavy thrust loads.