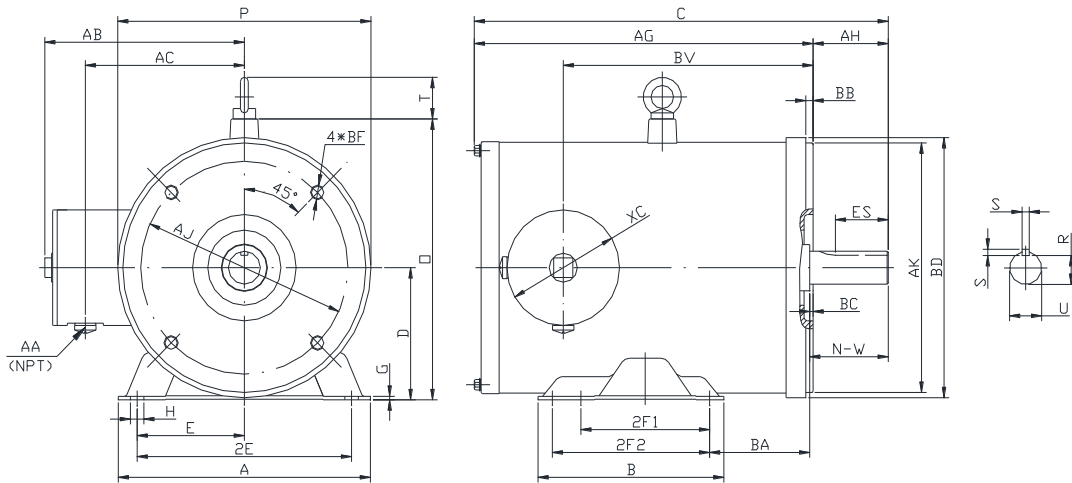


PESS182TC3M-2-A-NV

WASHDOWN DUTY MOTOR
NEMA PREMIUM EFFICIENCY
STAINLESS STEEL CONSTRUCTION - C-FLANGE WITH FEET
TOTALLY ENCLOSED NON VENTILATED - IP66 CONSTRUCTION
INVERTER DUTY 10:1 CT; 20:1 VT - NEMA MG1 PART 31



DIMENSIONS

HP	RPM	Frame	MOUNTING														
			A	B	C	D	G	H	E	2E	2F1	2F2	O	P	T	AG	BA
3	3600	182TC	8.8	6.5	14.7	4.5	0.118	0.71*0.47	3.75	7.5	4.5	5.5	9.55	8.58	1.45	12.08	3.5

FLANGE							Shaft Extension, Key Set				
AH	AJ	AK	BB	BC	BD	BF	U	R	S	ES	N-W
2.62	7.25	8.5	0.25	0.12	8.85	4*1/2-13	1.125	0.986	0.25	1.78	2.75

Conduit Box					Bearings		Mount
AA	AB	AC	BV	XC	DE	ODE	
0.5	7	5.55	8.5	3.95	6308-2RS	6306-2RS	F1

BEARING LUBRICATION: The bearings come lubricated with Mobil Polyrex EM Polyurea Grease.



PESS182TC3M-2-A-NV

WASHDOWN DUTY MOTOR
NEMA PREMIUM EFFICIENCY
STAINLESS STEEL CONSTRUCTION - C-FLANGE WITH FEET
TOTALLY ENCLOSED NON VENTILATED - IP66 CONSTRUCTION
INVERTER DUTY 10:1 CT; 20:1 VT - NEMA MG1 PART 31

PERFORMANCE DATA

HP	RPM	Frame	Voltage	Frequency (Hz)	Full Load S.F.	Insulation Class	NEMA Design	Slip (%)	NEMA Code	Enclosure Type	IP Rating	Max. Ambient
3	3535	182TC	230/460	60	1.15	F	B	1.8	K	TENV	66	40 °C

Amps (460V)		Efficiency (%)			Power Factor			Torque (ft-lb)			DE Bearing	ODE Bearing	Connection	Weight (lbs.)
FLA	LRA	100%	75%	50%	100%	75%	50%	FLT	LRT %	BDT %	6308-2RS	6306-2RS	9 Lead 2Y/Y	95
3.6	32	86.5	86.0	84.0	0.89	0.85	0.77	4.4	230	290				

*Usable at 208 Volts

NAME PLATE

		THREE PHASE AC INDUCTION MOTOR INVERTER DUTY 20:1 VT; 10:1 CT						Hernando, MS 38632					
Model :		PESS182TC3M-2-A-NV				IP	66	FRAME	182TC	LB/WT	95		
HZ	60	S.F.	1.15	HZ	50	S.F.	1.0	NEMA DESIGN		B			
HP	3	RPM	3535	HP	3	RPM	2905	ENCL.	TENV	INS	F		
VOLTS		230/460		VOLTS		190/380		DUTY	CONT	AMB		40 °C	
AMPS		7.2/3.6		AMPS		8.6/4.3		DE BRG		6308-2RS			
CODE	K	P.F.	0.89	CODE	H	P.F.	0.91	ODE BRG		6306-2RS			
EFF	86.5	MIN	84.0	EFF	85.5	MIN	82.5	SER NO.					
								CC082A		MADE IN CHINA			

Factory Certified for T2B
 Div 2. Class I, Gr. A , B , C & D
 and Class II, Gr. F & G

APPLICATIONS:

Applications include washdown applications, food processing, chemical processing, pharmaceuticals, poultry processing, meat processing, dairy applications, bakeries, snack foods, bottling and extremely corrosive environments.