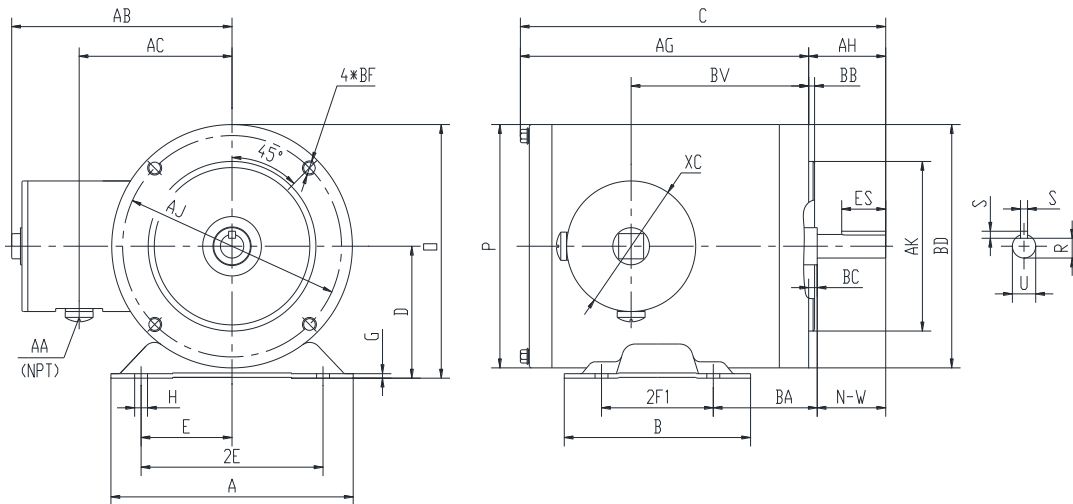


SS56C1/3M-4-A-NV

WASHDOWN DUTY MOTOR
HIGH EFFICIENCY / EISA COMPLIANT
STAINLESS STEEL CONSTRUCTION - C-FLANGE WITH FEET
TOTALLY ENCLOSED NON VENTILATED - IP66 CONSTRUCTION
INVERTER DUTY 10:1 CT; 20:1 VT - NEMA MG1 PART 31



DIMENSIONS

HP	RPM	Frame	MOUNTING													
			A	B	C	D	G	H	E	2E	2F1	2F2	O	P	AG	BA
1/3	1800	56C	6.5	5	9.8	3.5	0.118	1.22*0.34	2.44	4.88	3	NA	6.73	6.45	7.74	2.75

FLANGE							Shaft Extension, Key Set				
AH	AJ	AK	BB	BC	BD	BF	U	R	S	ES	N-W
2.06	5.875	4.5	0.16	-0.19	6.45	4*3/8-16	0.625	0.517	0.188	1.41	1.88

Conduit Box					Bearings		Mount
AA	AB	AC	BV	XC	DE	ODE	
0.5	5.95	4.5	4.75	3.45	6205-2RS	6205-2RS	F1

BEARING LUBRICATION: The bearings come lubricated with Mobil Polyrex EM Polyurea Grease.





SS56C1/3M-4-A-NV

WASHDOWN DUTY MOTOR
HIGH EFFICIENCY / EISA COMPLIANT
STAINLESS STEEL CONSTRUCTION - C-FLANGE WITH FEET
TOTALLY ENCLOSED NON VENTILATED - IP66 CONSTRUCTION
INVERTER DUTY 10:1 CT; 20:1 VT - NEMA MG1 PART 31


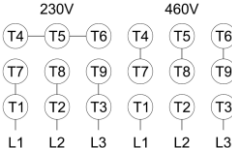



PERFORMANCE DATA

HP	RPM	Frame	Voltage	Frequency (Hz)	Full Load S.F.	Insulation Class	NEMA Design	Slip (%)	NEMA Code	Enclosure Type	IP Rating	Max. Ambient
1/3	1760	56C	230/460	60	1.15	F	B	2.2	R	TENV	66	40 °C

Amps (460V)		Efficiency (%)			Power Factor			Torque (ft-lb)			DE Bearing	ODE Bearing	Connection	Weight (lbs.)
FLA	LRA	100%	75%	50%	100%	75%	50%	FLT	LRT %	BDT %				
0.7	6.5	74.0	71.0	64.0	0.62	0.53	0.43	1	300	400	6205-2RS	6205-2RS	9 Lead 2Y/Y	28

*Usable at 208 Volts

NAME PLATE

		THREE PHASE AC INDUCTION MOTOR						INVERTER DUTY 20:1 VT; 10:1 CT				Hernando, MS 38632		
Model :		SS56C1/3M-4-A-NV				IP	66	FRAME	56C	LB/WT	28			
HZ	60	S.F.	1.15	HZ	50	S.F.	1.0	NEMA DESIGN		B				
HP	1/3	RPM	1760	HP	1/3	RPM	1450	ENCL.	TENV	INS	F			
VOLTS		230/460		VOLTS		190/380		DUTY	CONT	AMB	40 °C			
AMPS		1.4/0.7		AMPS		1.7/0.85		DE BRG		6205-2RS				
CODE	R	P.F.	0.62	CODE	K	P.F.	0.65	ODE BRG		6205-2RS				
EFF	74.0	MIN	70.0	EFF	70.0	MIN	66.0	SER NO.						
								CC082A		E310089		MADE IN CHINA		

Factory Certified for T2B
 Div 2. Class I, Gr. A , B , C & D
 and Class II, Gr. F & G

APPLICATIONS:

Applications include washdown applications, food processing, chemical processing, pharmaceuticals, poultry processing, meat processing, dairy applications, bakeries, snack foods, bottling and extremely corrosive environments.