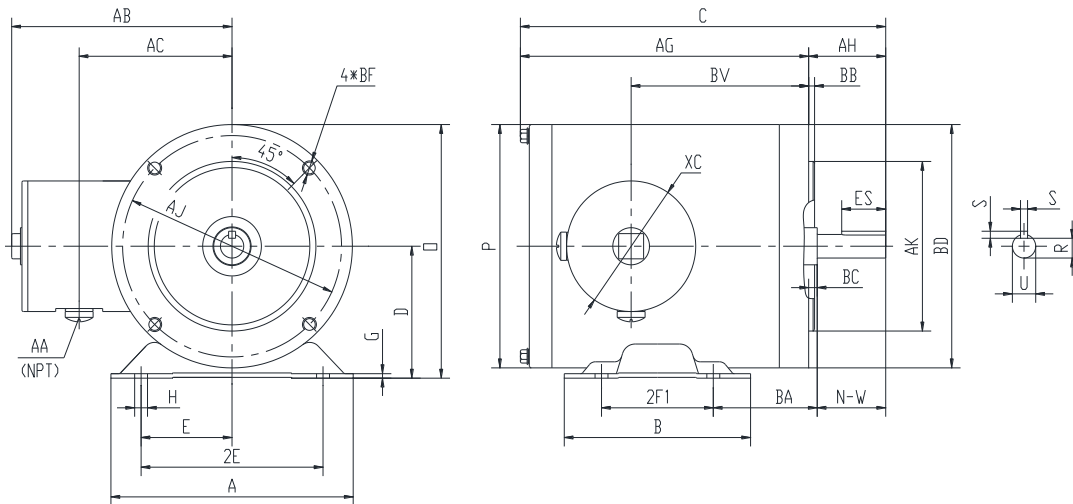


## SS56C1/2M-4-A-NV

**WASHDOWN DUTY MOTOR**  
**HIGH EFFICIENCY / EISA COMPLIANT**  
**STAINLESS STEEL CONSTRUCTION - C-FLANGE WITH FEET**  
**TOTALLY ENCLOSED NON VENTILATED - IP66 CONSTRUCTION**  
**INVERTER DUTY 10:1 CT; 20:1 VT - NEMA MG1 PART 31**



### DIMENSIONS

HP	RPM	Frame	MOUNTING													
			A	B	C	D	G	H	E	2E	2F1	2F2	O	P	AG	BA
1/2	1800	56C	6.5	5	9.8	3.5	0.118	1.22*0.34	2.44	4.88	3	NA	6.73	6.45	7.74	2.75

FLANGE							Shaft Extension, Key Set				
AH	AJ	AK	BB	BC	BD	BF	U	R	S	ES	N-W
2.06	5.875	4.5	0.16	-0.19	6.45	4*3/8-16	0.625	0.517	0.188	1.41	1.88

Conduit Box					Bearings		Mount
AA	AB	AC	BV	XC	DE	ODE	
0.5	5.95	4.5	4.75	3.45	6205-2RS	6205-2RS	F1

**BEARING LUBRICATION:** The bearings come lubricated with Mobil Polyrex EM Polyurea Grease.



## SS56C1/2M-4-A-NV

**WASHDOWN DUTY MOTOR**  
**HIGH EFFICIENCY / EISA COMPLIANT**  
**STAINLESS STEEL CONSTRUCTION - C-FLANGE WITH FEET**  
**TOTALLY ENCLOSED NON VENTILATED - IP66 CONSTRUCTION**  
**INVERTER DUTY 10:1 CT; 20:1 VT - NEMA MG1 PART 31**

### PERFORMANCE DATA

HP	RPM	Frame	Voltage	Frequency (Hz)	Full Load S.F.	Insulation Class	NEMA Design	Slip (%)	NEMA Code	Enclosure Type	IP Rating	Max. Ambient
1/2	1745	56C	230/460	60	1.15	F	B	3.1	R	TENV	66	40 °C

Amps (460V)		Efficiency (%)			Power Factor			Torque (ft-lb)			DE Bearing	ODE Bearing	Connection	Weight (lbs.)
FLA	LRA	100%	75%	50%	100%	75%	50%	FLT	LRT %	BDT %				
0.8	10	78.5	76.0	71.0	0.70	0.60	0.52	1.5	285	300	6205-2RS	6205-2RS	9 Lead 2Y/Y	30

\*Usable at 208 Volts

### NAME PLATE

		<b>THREE PHASE AC INDUCTION MOTOR</b> <b>INVERTER DUTY 20:1 VT; 10:1 CT</b>						Hernando, MS 38632					
Model :		SS56C1/2M-4-A-NV				IP	66	FRAME	56C	LB/WT	30		
HZ	60	S.F.	1.15	HZ	50	S.F.	1.0	NEMA DESIGN		B			
HP	1/2	RPM	1745	HP	1/2	RPM	1450	ENCL.	TENV	INS	F		
VOLTS		230/460			VOLTS			190/380		DUTY	CONT	AMB	40 °C
AMPS		1.6/0.8			AMPS			1.8/0.9		DE BRG	6205-2RS		
CODE	R	P.F.	0.70	CODE	N	P.F.	0.74	ODE BRG	6205-2RS				
EFF	78.5	MIN	75.5	EFF	77.0	MIN	74.0	SER NO.					
								CC082A		MADE IN CHINA			

Factory Certified for T2B  
Div 2. Class I, Gr. A , B , C & D  
and Class II, Gr. F & G

### APPLICATIONS:

Applications include washdown applications, food processing, chemical processing, pharmaceuticals, poultry processing, meat processing, dairy applications, bakeries, snack foods, bottling and extremely corrosive environments.