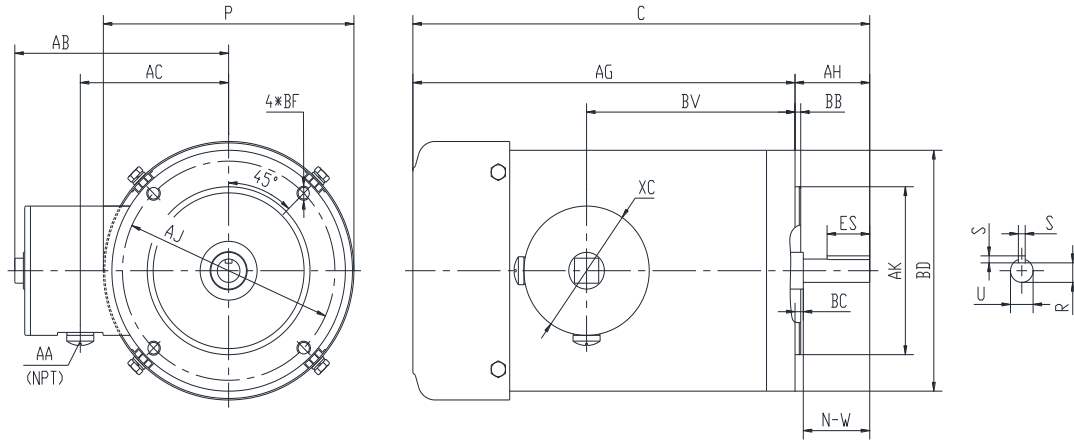




PES56C2M-2-RB-B

**WASHDOWN DUTY MOTOR WITH ENCAPSULATION
 NEMA PREMIUM EFFICIENCY
 STAINLESS STEEL CONSTRUCTION - ROUND BODY (C-FLANGE FOOTLESS)
 TOTALLY ENCLOSED FAN COOLED - IP66 CONSTRUCTION
 INVERTER DUTY 10:1 CT; 20:1 VT - NEMA MG1 PART 31**



DIMENSIONS

HP	RPM	Frame	MOUNTING			FLANGE					
			C	P	AG	AH	AJ	AK	BB	BC	BF
2	3600	56C	13.75	6.95	11.69	2.06	5.875	4.5	0.16	-0.19	4*3/8-16

Shaft Extension, Key Set					Conduit Box			
U	R	S	ES	N-W	AA	AB	AC	BV
0.625	0.517	0.188	1.41	1.88	0.5	5.95	4.5	6.95

Bearings		Mount
DE	ODE	
6205-2RS	6205-2RS	F1

BEARING LUBRICATION: The bearings come lubricated with Mobil Polyrex EM Polyurea Grease.





PESS56C2M-2-RB-B

WASHDOWN DUTY MOTOR WITH ENCAPSULATION
NEMA PREMIUM EFFICIENCY
STAINLESS STEEL CONSTRUCTION - ROUND BODY (C-FLANGE FOOTLESS)
TOTALLY ENCLOSED FAN COOLED - IP66 CONSTRUCTION
INVERTER DUTY 10:1 CT; 20:1 VT - NEMA MG1 PART 31

PERFORMANCE DATA

HP	RPM	Frame	Voltage	Frequency (Hz)	Full Load S.F.	Insulation Class	NEMA Design	Slip (%)	NEMA Code	Enclosure Type	IP Rating	Max. Ambient
2	3480	56C	230/460	60	1.15	F	B	3.3	K	TEFC	66	40 °C

Amps (460V)		Efficiency (%)			Power Factor			Torque (ft-lb)			DE Bearing	ODE Bearing	Connection	Weight (lbs.)
FLA	LRA	100%	75%	50%	100%	75%	50%	FLT	LRT %	BDT %				
2.4	25	85.5	79.0	75.0	0.90	0.85	0.78	2.9	285	300	6205-2RS	6205-2RS	9 Lead 2Y/Y	44

*Usable at 208 Volts

NAME PLATE

		THREE PHASE AC INDUCTION MOTOR INVERTER DUTY 20:1 VT; 10:1 CT						Hernando, MS 38632					
Model :		PESS56C2M-2-RB-B				IP	66	FRAME	56C	LB/WT	44		
HZ	60	S.F.	1.15	HZ	50	S.F.	1.0	NEMA DESIGN		B			
HP	2	RPM	3480	HP	2	RPM	2870	ENCL.	TEFC	INS	F		
VOLTS		230/460		VOLTS		190/380		DUTY	CONT	AMB		40 °C	
AMPS		4.8/2.4		AMPS		5.8/2.9		DE BRG		6205-2RS			
CODE	K	P.F.	0.90	CODE	K	P.F.	0.91	ODE BRG		6205-2RS			
EFF	85.5	MIN	82.5	EFF	82.5	MIN	79.5	SER NO.					
								CC082A		MADE IN CHINA			

Factory Certified for T2B
 Div 2. Class I, Gr. A , B , C & D
 and Class II, Gr. F & G

APPLICATIONS:

Applications include washdown applications, food processing, chemical processing, pharmaceuticals, poultry processing, meat processing, dairy applications, bakeries, snack foods, bottling and extremely corrosive environments.