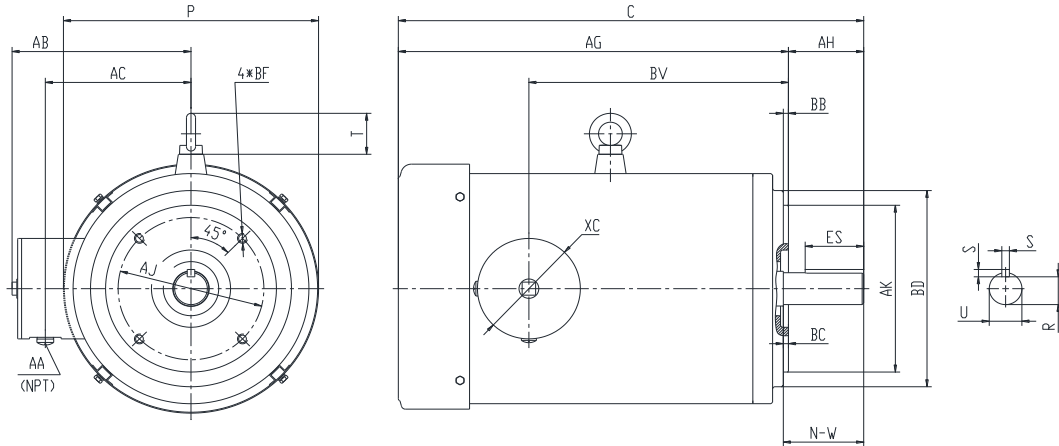




**PES254TC15M-2-RB-B**

**WASHDOWN DUTY MOTOR WITH ENCAPSULATION**  
**NEMA PREMIUM EFFICIENCY**  
**STAINLESS STEEL CONSTRUCTION - ROUND BODY (C-FLANGE FOOTLESS)**  
**TOTALLY ENCLOSED FAN COOLED - IP66 CONSTRUCTION**  
**INVERTER DUTY 10:1 CT; 20:1 VT - NEMA MG1 PART 31**



**DIMENSIONS**

HP	RPM	Frame	MOUNTING				FLANGE					
			C	P	T	AG	AH	AJ	AK	BB	BC	BF
15	3600	254TC	23.2	12.7	2.1	19.45	3.75	7.25	8.5	0.25	0.25	4*1/2-13

Shaft Extension, Key Set					Conduit Box				
U	R	S	ES	N-W	AA	AB	AC	BV	
1.625	1.416	0.375	2.91	4	0.75	8.9	7.25	12.65	

Bearings		Mount
DE	ODE	
6309-2RS	6309-2RS	F1

**BEARING LUBRICATION:** The bearings come lubricated with Mobil Polyrex EM Polyurea Grease.





## PESS254TC15M-2-RB-B

**WASHDOWN DUTY MOTOR WITH ENCAPSULATION**  
**NEMA PREMIUM EFFICIENCY**  
**STAINLESS STEEL CONSTRUCTION - ROUND BODY (C-FLANGE FOOTLESS)**  
**TOTALLY ENCLOSED FAN COOLED - IP66 CONSTRUCTION**  
**INVERTER DUTY 10:1 CT; 20:1 VT - NEMA MG1 PART 31**


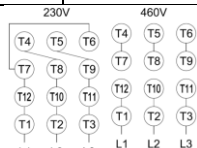



### PERFORMANCE DATA

HP	RPM	Frame	Voltage	Frequency (Hz)	Full Load S.F.	Insulation Class	NEMA Design	Slip (%)	NEMA Code	Enclosure Type	IP Rating	Max. Ambient
15	3540	254TC	230/460	60	1.15	F	B	1.7	G	TEFC	66	40 °C

Amps (460V)		Efficiency (%)			Power Factor			Torque (ft-lb)			DE Bearing	ODE Bearing	Connection	Weight (lbs.)
FLA	LRA	100%	75%	50%	100%	75%	50%	FLT	LRT %	BDT %				
18.5	116	91.0	90.5	90.0	0.90	0.85	0.76	22	225	260	6309-2RS	6309-2RS	12 Lead 2Δ/Δ	252

\*Usable at 208 Volts

### NAME PLATE

		THREE PHASE AC INDUCTION MOTOR						Hernando, MS 38632			
INVERTER DUTY 20:1 VT; 10:1 CT											
Model :	PESS254TC15M-2-RB-B					IP	66	FRAME	254TC	LB/WT	252
HZ	60	S.F.	1.15	HZ	50	S.F.	1.0	NEMA DESIGN	B		
HP	15	RPM	3540	HP	15	RPM	2935	ENCL.	TEFC	INS	F
VOLTS	230/460			VOLTS	190/380			DUTY	CONT	AMB	40 °C
AMPS	37/18.5			AMPS	42/21			DE BRG	6309-2RS		
CODE	G	P.F.	0.90	CODE	G	P.F.	0.91	ODE BRG	6309-2RS		
EFF	91.0	MIN	89.5	EFF	89.5	MIN	87.5	SER NO.			
											
										CC082A	
						272709		E310089		MADE IN CHINA	

Factory Certified for T2B  
 Div 2. Class I, Gr. A , B , C & D  
 and Class II, Gr. F & G

### APPLICATIONS:

Applications include washdown applications, food processing, chemical processing, pharmaceuticals, poultry processing, meat processing, dairy applications, bakeries, snack foods, bottling and extremely corrosive environments.