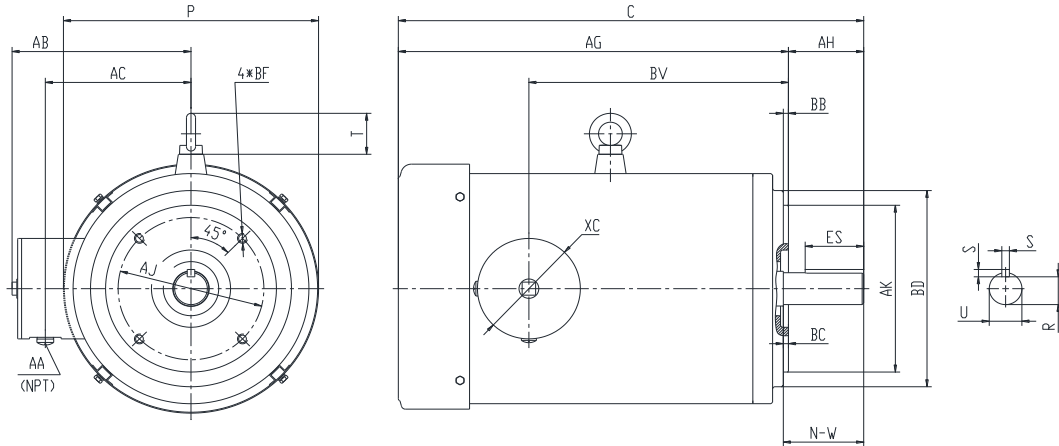




PES182TC3M-2-RB-B

**WASHDOWN DUTY MOTOR WITH ENCAPSULATION
 NEMA PREMIUM EFFICIENCY
 STAINLESS STEEL CONSTRUCTION - ROUND BODY (C-FLANGE FOOTLESS)
 TOTALLY ENCLOSED FAN COOLED - IP66 CONSTRUCTION
 INVERTER DUTY 10:1 CT; 20:1 VT - NEMA MG1 PART 31**



DIMENSIONS

| HP | RPM | Frame | MOUNTING | | | | FLANGE | | | | | |
|----|------|-------|----------|------|------|-------|--------|------|-----|------|------|----------|
| | | | C | P | T | AG | AH | AJ | AK | BB | BC | BF |
| 3 | 3600 | 182TC | 17 | 9.25 | 1.45 | 14.38 | 2.62 | 7.25 | 8.5 | 0.25 | 0.12 | 4*1/2-13 |

| Shaft Extension, Key Set | | | | | Conduit Box | | | |
|--------------------------|-------|------|------|------|-------------|----|------|-----|
| U | R | S | ES | N-W | AA | AB | AC | BV |
| 1.125 | 0.986 | 0.25 | 1.78 | 2.75 | 0.5 | 7 | 5.55 | 8.5 |

| Bearings | | Mount |
|----------|----------|-------|
| DE | ODE | |
| 6308-2RS | 6306-2RS | F1 |

BEARING LUBRICATION: The bearings come lubricated with Mobil Polyrex EM Polyurea Grease.





PESS182TC3M-2-RB-B

WASHDOWN DUTY MOTOR WITH ENCAPSULATION
NEMA PREMIUM EFFICIENCY
STAINLESS STEEL CONSTRUCTION - ROUND BODY (C-FLANGE FOOTLESS)
TOTALLY ENCLOSED FAN COOLED - IP66 CONSTRUCTION
INVERTER DUTY 10:1 CT; 20:1 VT - NEMA MG1 PART 31

PERFORMANCE DATA

| HP | RPM | Frame | Voltage | Frequency (Hz) | Full Load S.F. | Insulation Class | NEMA Design | Slip (%) | NEMA Code | Enclosure Type | IP Rating | Max. Ambient |
|----|------|-------|---------|----------------|----------------|------------------|-------------|----------|-----------|----------------|-----------|--------------|
| 3 | 3510 | 182TC | 230/460 | 60 | 1.15 | F | B | 2.5 | K | TEFC | 66 | 40 °C |

| Amps (460V) | | Efficiency (%) | | | Power Factor | | | Torque (ft-lb) | | | DE Bearing | ODE Bearing | Connection | Weight (lbs.) |
|-------------|-----|----------------|------|------|--------------|------|------|----------------|-------|-------|------------|-------------|-------------|---------------|
| FLA | LRA | 100% | 75% | 50% | 100% | 75% | 50% | FLT | LRT % | BDT % | | | | |
| 4.05 | 32 | 86.5 | 87.0 | 86.0 | 0.89 | 0.75 | 0.63 | 4.4 | 270 | 290 | 6308-2RS | 6306-2RS | 9 Lead 2Y/Y | 76 |

*Usable at 208 Volts

NAME PLATE

| | | | | | | | | | | | | | |
|---------|------|--|------|------|-------|------|---------|--------------------|--------|---------------|----------|-------|--|
| | | THREE PHASE AC INDUCTION MOTOR INVERTER DUTY 20:1 VT; 10:1 CT | | | | | | Hernando, MS 38632 | | | | | |
| Model : | | PESS182TC3M-2-RB-B | | | | IP | 66 | FRAME | 182TC | LB/WT | 76 | | |
| HZ | 60 | S.F. | 1.15 | HZ | 50 | S.F. | 1.0 | NEMA DESIGN | | B | | | |
| HP | 3 | RPM | 3510 | HP | 3 | RPM | 2930 | ENCL. | TEFC | INS | F | | |
| VOLTS | | 230/460 | | | VOLTS | | 190/380 | | DUTY | CONT | AMB | 40 °C | |
| AMPS | | 8.1/4.05 | | | AMPS | | 9/4.5 | | DE BRG | | 6308-2RS | | |
| CODE | K | P.F. | 0.89 | CODE | K | P.F. | 0.91 | ODE BRG | | 6306-2RS | | | |
| EFF | 86.5 | MIN | 84.0 | EFF | 84.0 | MIN | 81.5 | SER NO. | | | | | |
| | | | | | | | | CC082A | | MADE IN CHINA | | | |

Factory Certified for T2B
 Div 2. Class I, Gr. A , B , C & D
 and Class II, Gr. F & G

APPLICATIONS:

Applications include washdown applications, food processing, chemical processing, pharmaceuticals, poultry processing, meat processing, dairy applications, bakeries, snack foods, bottling and extremely corrosive environments.