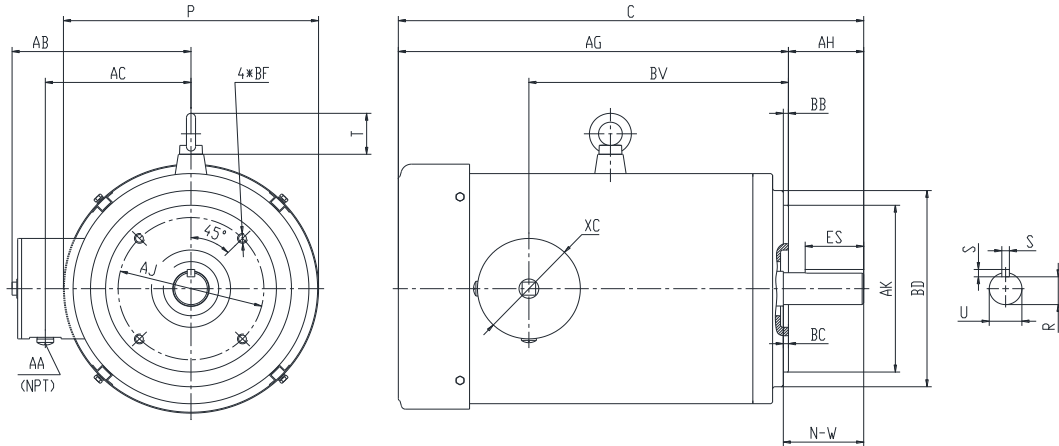




**PES256TC20M-2-RB-B**

**WASHDOWN DUTY MOTOR WITH ENCAPSULATION**  
**NEMA PREMIUM EFFICIENCY**  
**STAINLESS STEEL CONSTRUCTION - ROUND BODY (C-FLANGE FOOTLESS)**  
**TOTALLY ENCLOSED FAN COOLED - IP66 CONSTRUCTION**  
**INVERTER DUTY 10:1 CT; 20:1 VT - NEMA MG1 PART 31**



**DIMENSIONS**

HP	RPM	Frame	MOUNTING				FLANGE					
			C	P	T	AG	AH	AJ	AK	BB	BC	BF
20	3600	256TC	24.8	12.7	2.1	21.05	3.75	7.25	8.5	0.25	0.25	4*1/2-13

Shaft Extension, Key Set					Conduit Box				
U	R	S	ES	N-W	AA	AB	AC	BV	
1.625	1.416	0.375	2.91	4	0.75	8.9	7.25	14.25	

Bearings		Mount
DE	ODE	
6309-2RS	6309-2RS	F1

**BEARING LUBRICATION:** The bearings come lubricated with Mobil Polyrex EM Polyurea Grease.





## PESS256TC20M-2-RB-B

**WASHDOWN DUTY MOTOR WITH ENCAPSULATION**  
**NEMA PREMIUM EFFICIENCY**  
**STAINLESS STEEL CONSTRUCTION - ROUND BODY (C-FLANGE FOOTLESS)**  
**TOTALLY ENCLOSED FAN COOLED - IP66 CONSTRUCTION**  
**INVERTER DUTY 10:1 CT; 20:1 VT - NEMA MG1 PART 31**


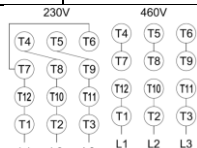



### PERFORMANCE DATA

HP	RPM	Frame	Voltage	Frequency (Hz)	Full Load S.F.	Insulation Class	NEMA Design	Slip (%)	NEMA Code	Enclosure Type	IP Rating	Max. Ambient
20	3540	256TC	230/460	60	1.15	F	B	1.7	G	TEFC	66	40 °C

Amps (460V)		Efficiency (%)			Power Factor			Torque (ft-lb)			DE Bearing	ODE Bearing	Connection	Weight (lbs.)
FLA	LRA	100%	75%	50%	100%	75%	50%	FLT	LRT %	BDT %				
23	145	91.0	90.5	90.0	0.90	0.85	0.76	29.3	200	250	6309-2RS	6309-2RS	12 Lead 2Δ/Δ	285

\*Usable at 208 Volts

### NAME PLATE

		THREE PHASE AC INDUCTION MOTOR								Hernando, MS 38632													
INVERTER DUTY 20:1 VT; 10:1 CT																							
Model :				PESS256TC20M-2-RB-B				IP	66		FRAME	256TC		LB/WT	285								
HZ	60		S.F.	1.15		HZ	50		S.F.	1.0		NEMA DESIGN		B									
HP	20		RPM	3540		HP	20		RPM	2935		ENCL.	TEFC		INS	F							
VOLTS				230/460				VOLTS				190/380				DUTY	CONT		AMB	40 °C			
AMPS				46/23				AMPS				56/28				DE BRG		6309-2RS					
CODE		G		P.F.	0.90		CODE		G		P.F.	0.91		ODE BRG		6309-2RS							
EFF		91.0		MIN	89.5		EFF		89.5		MIN	87.5		SER NO.									
																		CC082A		MADE IN CHINA			

Factory Certified for T2B  
 Div 2. Class I, Gr. A , B , C & D  
 and Class II, Gr. F & G

### APPLICATIONS:

Applications include washdown applications, food processing, chemical processing, pharmaceuticals, poultry processing, meat processing, dairy applications, bakeries, snack foods, bottling and extremely corrosive environments.