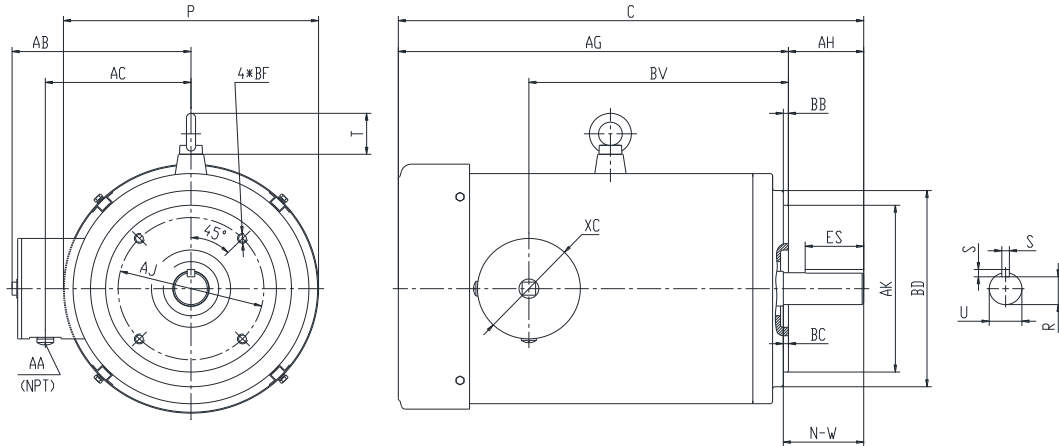




PES215TC10M-4-RB-B

WASHDOWN DUTY MOTOR WITH ENCAPSULATION
NEMA PREMIUM EFFICIENCY
STAINLESS STEEL CONSTRUCTION - ROUND BODY (C-FLANGE FOOTLESS)
TOTALLY ENCLOSED FAN COOLED - IP66 CONSTRUCTION
INVERTER DUTY 10:1 CT; 20:1 VT - NEMA MG1 PART 31



DIMENSIONS

HP	RPM	Frame	MOUNTING				FLANGE					
			C	P	T	AG	AH	AJ	AK	BB	BC	BF
10	1800	215TC	21.5	10.08	1.75	18.38	3.12	7.25	8.5	0.25	0.25	4*1/2-13

Shaft Extension, Key Set					Conduit Box				
U	R	S	ES	N-W	AA	AB	AC	BV	
1.375	1.201	0.312	2.41	3.38	0.5	7.85	6.41	11.95	

Bearings		Mount
DE	ODE	
6308-2RS	6208-2RS	F1

BEARING LUBRICATION: The bearings come lubricated with Mobil Polyrex EM Polyurea Grease.





PESS215TC10M-4-RB-B

WASHDOWN DUTY MOTOR WITH ENCAPSULATION
NEMA PREMIUM EFFICIENCY
STAINLESS STEEL CONSTRUCTION - ROUND BODY (C-FLANGE FOOTLESS)
TOTALLY ENCLOSED FAN COOLED - IP66 CONSTRUCTION
INVERTER DUTY 10:1 CT; 20:1 VT - NEMA MG1 PART 31

PERFORMANCE DATA

HP	RPM	Frame	Voltage	Frequency (Hz)	Full Load S.F.	Insulation Class	NEMA Design	Slip (%)	NEMA Code	Enclosure Type	IP Rating	Max. Ambient
10	1760	215TC	230/460	60	1.15	F	B	2.2	H	TEFC	66	40 °C

Amps (460V)		Efficiency (%)			Power Factor			Torque (ft-lb)			DE Bearing	ODE Bearing	Connection	Weight (lbs.)
FLA	LRA	100%	75%	50%	100%	75%	50%	FLT	LRT %	BDT %	6308-2RS	6208-2RS	9 Lead 2Y/Y	209
12.2	81	91.7	92.0	91.0	0.85	0.76	0.65	29.3	250	270				

*Usable at 208 Volts

NAME PLATE

		THREE PHASE AC INDUCTION MOTOR INVERTER DUTY 20:1 VT; 10:1 CT						Hernando, MS 38632					
Model :		PESS215TC10M-4-RB-B				IP	66	FRAME	215TC	LB/WT	209		
HZ	60	S.F.	1.15	HZ	50	S.F.	1.0	NEMA DESIGN	B				
HP	10	RPM	1760	HP	10	RPM	1460	ENCL.	TEFC	INS	F		
VOLTS		230/460		VOLTS		190/380		DUTY	CONT	AMB 40 °C			
AMPS		24.4/12.2		AMPS		29.8/14.9		DE BRG	6308-2RS				
CODE	H	P.F.	0.85	CODE	H	P.F.	0.87	ODE BRG	6208-2RS				
EFF	91.7	MIN	90.2	EFF	90.0	MIN	88.5	SER NO.					
								CC082A		MADE IN CHINA			

Factory Certified for T2B
Div 2. Class I, Gr. A , B , C & D
and Class II, Gr. F & G

APPLICATIONS:

Applications include washdown applications, food processing, chemical processing, pharmaceuticals, poultry processing, meat processing, dairy applications, bakeries, snack foods, bottling and extremely corrosive environments.