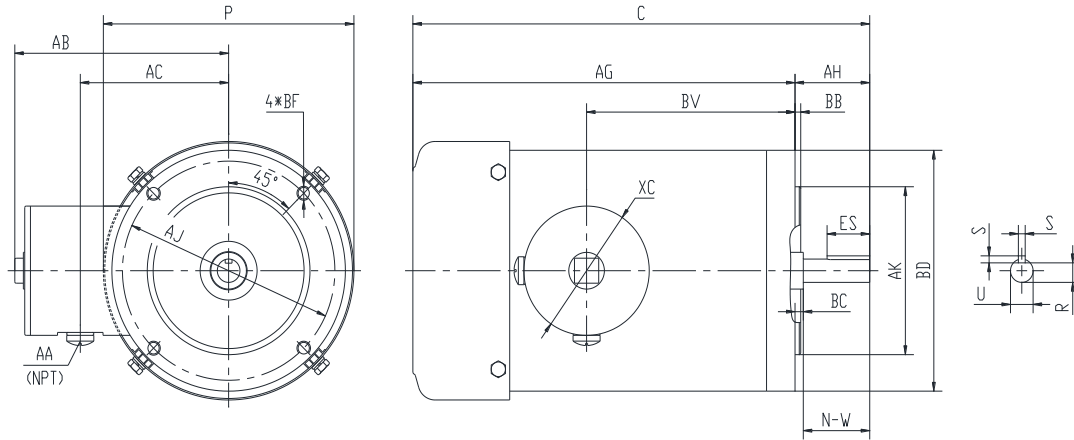




PESS145TC1.5M-4-RB-B

**WASHDOWN DUTY MOTOR WITH ENCAPSULATION
 NEMA PREMIUM EFFICIENCY
 STAINLESS STEEL CONSTRUCTION - ROUND BODY (C-FLANGE FOOTLESS)
 TOTALLY ENCLOSED FAN COOLED - IP66 CONSTRUCTION
 INVERTER DUTY 10:1 CT; 20:1 VT - NEMA MG1 PART 31**



DIMENSIONS

HP	RPM	Frame	MOUNTING			FLANGE					
			C	P	AG	AH	AJ	AK	BB	BC	BF
1.5	1800	145TC	12.63	6.95	10.51	2.12	5.875	4.5	0.16	0.12	4*3/8-16

Shaft Extension, Key Set					Conduit Box				
U	R	S	ES	N-W	AA	AB	AC	BV	
0.875	0.771	0.188	1.41	2.25	0.5	5.95	4.5	5.75	

Bearings		Mount
DE	ODE	
6205-2RS	6205-2RS	F1

BEARING LUBRICATION: The bearings come lubricated with Mobil Polyrex EM Polyurea Grease.





PESS145TC1.5M-4-RB-B

WASHDOWN DUTY MOTOR WITH ENCAPSULATION
NEMA PREMIUM EFFICIENCY
STAINLESS STEEL CONSTRUCTION - ROUND BODY (C-FLANGE FOOTLESS)
TOTALLY ENCLOSED FAN COOLED - IP66 CONSTRUCTION
INVERTER DUTY 10:1 CT; 20:1 VT - NEMA MG1 PART 31


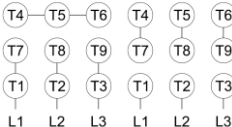



PERFORMANCE DATA

HP	RPM	Frame	Voltage	Frequency (Hz)	Full Load S.F.	Insulation Class	NEMA Design	Slip (%)	NEMA Code	Enclosure Type	IP Rating	Max. Ambient
1.5	1750	145TC	230/460	60	1.15	F	B	2.8	K	TEFC	66	40 °C

Amps (460V)		Efficiency (%)			Power Factor			Torque (ft-lb)			DE Bearing	ODE Bearing	Connection	Weight (lbs.)
FLA	LRA	100%	75%	50%	100%	75%	50%	FLT	LRT %	BDT %				
2.3	20	86.5	83.0	79.0	0.72	0.61	0.50	4.4	285	300	6205-2RS	6205-2RS	9 Lead 2Y/Y	42

*Usable at 208 Volts

NAME PLATE

		THREE PHASE AC INDUCTION MOTOR						Hernando, MS 38632			
INVERTER DUTY 20:1 VT; 10:1 CT											
Model :	PESS145TC1.5M-4-RB-B					IP	66	FRAME	145TC	LB/WT	42
HZ	60	S.F.	1.15	HZ	50	S.F.	1.0	NEMA DESIGN	B		
HP	1.5	RPM	1750	HP	1.5	RPM	1450	ENCL.	TEFC	INS	F
VOLTS	230/460			VOLTS	190/380			DUTY	CONT	AMB	40 °C
AMPS	4.6/2.3			AMPS	5.4/2.7			DE BRG	6205-2RS		
CODE	K	P.F.	0.72	CODE	K	P.F.	0.75	ODE BRG	6205-2RS		
EFF	86.5	MIN	84.0	EFF	84.0	MIN	81.5	SER NO.			
<div style="display: flex; justify-content: space-between; align-items: center;"> <div style="text-align: center;"> <p>230V 460V</p>  </div> <div style="text-align: center;">    </div> <div style="text-align: right;"> <p>CC082A</p> <p>E310089</p> <p>MADE IN CHINA</p> </div> </div>											

Factory Certified for T2B
 Div 2. Class I, Gr. A , B , C & D
 and Class II, Gr. F & G

APPLICATIONS:

Applications include washdown applications, food processing, chemical processing, pharmaceuticals, poultry processing, meat processing, dairy applications, bakeries, snack foods, bottling and extremely corrosive environments.