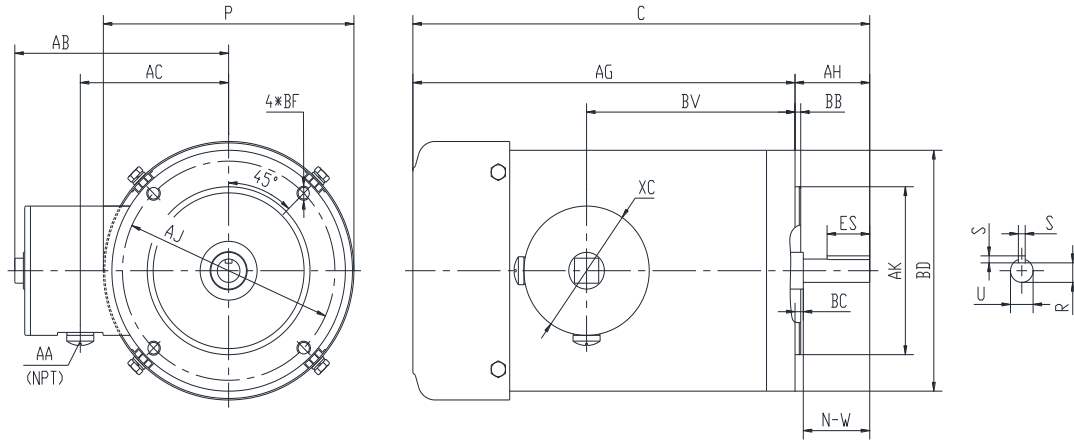




**PES143TC1M-4-RB-A**

**WASHDOWN DUTY MOTOR  
 NEMA PREMIUM EFFICIENCY  
 STAINLESS STEEL CONSTRUCTION - ROUND BODY (C-FLANGE FOOTLESS)  
 TOTALLY ENCLOSED FAN COOLED - IP66 CONSTRUCTION  
 INVERTER DUTY 10:1 CT; 20:1 VT - NEMA MG1 PART 31**



**DIMENSIONS**

HP	RPM	Frame	MOUNTING			FLANGE					
			C	P	AG	AH	AJ	AK	BB	BC	BF
1	1800	143TC	12.63	6.95	10.51	2.12	5.875	4.5	0.16	0.12	4*3/8-16

Shaft Extension, Key Set					Conduit Box			
U	R	S	ES	N-W	AA	AB	AC	BV
0.875	0.771	0.188	1.41	2.25	0.5	5.95	4.5	5.75

Bearings		Mount
DE	ODE	
6205-2RS	6205-2RS	F1

**BEARING LUBRICATION:** The bearings come lubricated with Mobil Polyrex EM Polyurea Grease.





## PESS143TC1M-4-RB-A

**WASHDOWN DUTY MOTOR**

**NEMA PREMIUM EFFICIENCY**

**STAINLESS STEEL CONSTRUCTION - ROUND BODY (C-FLANGE FOOTLESS)**

**TOTALLY ENCLOSED FAN COOLED - IP66 CONSTRUCTION**

**INVERTER DUTY 10:1 CT; 20:1 VT - NEMA MG1 PART 31**

### PERFORMANCE DATA

HP	RPM	Frame	Voltage	Frequency (Hz)	Full Load S.F.	Insulation Class	NEMA Design	Slip (%)	NEMA Code	Enclosure Type	IP Rating	Max. Ambient
1	1740	143TC	230/460	60	1.15	F	B	3.3	K	TEFC	66	40 °C

Amps (460V)		Efficiency (%)			Power Factor			Torque (ft-lb)			DE Bearing	ODE Bearing	Connection	Weight (lbs.)
FLA	LRA	100%	75%	50%	100%	75%	50%	FLT	LRT %	BDT %	6205-2RS	6205-2RS	9 Lead 2Y/Y	36
1.5	15	85.5	78.0	74.0	0.71	0.60	0.46	3	285	300				

\*Usable at 208 Volts

### NAME PLATE

		<b>THREE PHASE AC INDUCTION MOTOR</b> <b>INVERTER DUTY 20:1 VT; 10:1 CT</b>								Hernando, MS 38632			
		Model : PESS143TC1M-4-RB-A				IP 66		FRAME 143TC		LB/WT 36			
HZ 60		S.F. 1.15		HZ 50		S.F. 1.0		NEMA DESIGN B					
HP 1		RPM 1740		HP 1		RPM 1450		ENCL. TEFC		INS F			
VOLTS 230/460				VOLTS 190/380				DUTY CONT		AMB 40 °C			
AMPS 3/1.5				AMPS 3.7/1.85				DE BRG 6205-2RS					
CODE K		P.F. 0.71		CODE K		P.F. 0.74		ODE BRG 6205-2RS					
EFF 85.5		MIN 82.5		EFF 82.5		MIN 79.5		SER NO.					
230V 		460V 								CC082A MADE IN CHINA			

Factory Certified for T2B  
 Div 2. Class I, Gr. A , B , C & D  
 and Class II, Gr. F & G

### APPLICATIONS:

Applications include washdown applications, food processing, chemical processing, pharmaceuticals, poultry processing, meat processing, dairy applications, bakeries, snack foods, bottling and extremely corrosive environments.