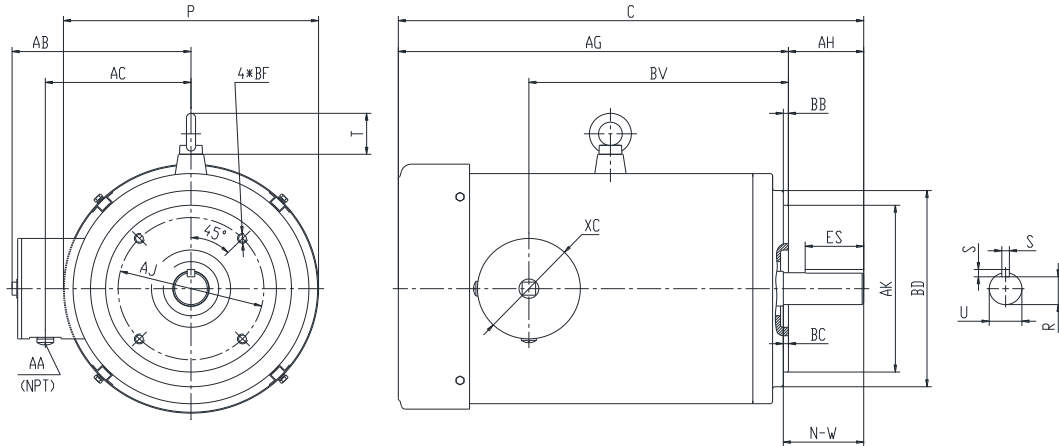




**PES213TC7.5M-2-RB-A**

**WASHDOWN DUTY MOTOR  
 NEMA PREMIUM EFFICIENCY  
 STAINLESS STEEL CONSTRUCTION - ROUND BODY (C-FLANGE FOOTLESS)  
 TOTALLY ENCLOSED FAN COOLED - IP66 CONSTRUCTION  
 INVERTER DUTY 10:1 CT; 20:1 VT - NEMA MG1 PART 31**



**DIMENSIONS**

HP	RPM	Frame	MOUNTING				FLANGE					
			C	P	T	AG	AH	AJ	AK	BB	BC	BF
7.5	3600	213TC	20.7	10.08	1.75	17.58	3.12	7.25	8.5	0.25	0.25	4*1/2-13

Shaft Extension, Key Set					Conduit Box			
U	R	S	ES	N-W	AA	AB	AC	BV
1.375	1.201	0.312	2.41	3.38	0.5	7.85	6.41	11.15

Bearings		Mount
DE	ODE	
6308-2RS	6208-2RS	F1

**BEARING LUBRICATION:** The bearings come lubricated with Mobil Polyrex EM Polyurea Grease.





**PESS213TC7.5M-2-RB-A**

**WASHDOWN DUTY MOTOR  
 NEMA PREMIUM EFFICIENCY  
 STAINLESS STEEL CONSTRUCTION - ROUND BODY (C-FLANGE FOOTLESS)  
 TOTALLY ENCLOSED FAN COOLED - IP66 CONSTRUCTION  
 INVERTER DUTY 10:1 CT; 20:1 VT - NEMA MG1 PART 31**

**PERFORMANCE DATA**

HP	RPM	Frame	Voltage	Frequency (Hz)	Full Load S.F.	Insulation Class	NEMA Design	Slip (%)	NEMA Code	Enclosure Type	IP Rating	Max. Ambient
7.5	3520	213TC	230/460	60	1.15	F	B	2.2	H	TEFC	66	40 °C

Amps (460V)		Efficiency (%)			Power Factor			Torque (ft-lb)			DE Bearing	ODE Bearing	Connection	Weight (lbs.)
FLA	LRA	100%	75%	50%	100%	75%	50%	FLT	LRT %	BDT %	6308-2RS	6208-2RS	9 Lead 2Y/Y	150
9.5	63.5	89.5	88.0	88.0	0.85	0.80	0.68	11.1	250	270				

\*Usable at 208 Volts

**NAME PLATE**

		<b>THREE PHASE AC INDUCTION MOTOR</b> <b>INVERTER DUTY 20:1 VT; 10:1 CT</b>								Hernando, MS 38632			
		Model : PESS213TC7.5M-2-RB-A				IP 66		FRAME 213TC		LB/WT 150			
HZ 60		S.F. 1.15		HZ 50		S.F. 1.0		NEMA DESIGN B					
HP 7.5		RPM 3520		HP 7.5		RPM 2915		ENCL. TEFC		INS F			
VOLTS 230/460				VOLTS 190/380				DUTY CONT		AMB 40 °C			
AMPS 19/9.5				AMPS 22.4/11.2				DE BRG 6308-2RS					
CODE H		P.F. 0.85		CODE K		P.F. 0.87		ODE BRG 6208-2RS					
EFF 89.5		MIN 87.5		EFF 87.5		MIN 85.5		SER NO.					
230V 		460V 								CC082A MADE IN CHINA			

Factory Certified for T2B  
 Div 2. Class I, Gr. A , B , C & D  
 and Class II, Gr. F & G

**APPLICATIONS:**

Applications include washdown applications, food processing, chemical processing, pharmaceuticals, poultry processing, meat processing, dairy applications, bakeries, snack foods, bottling and extremely corrosive environments.