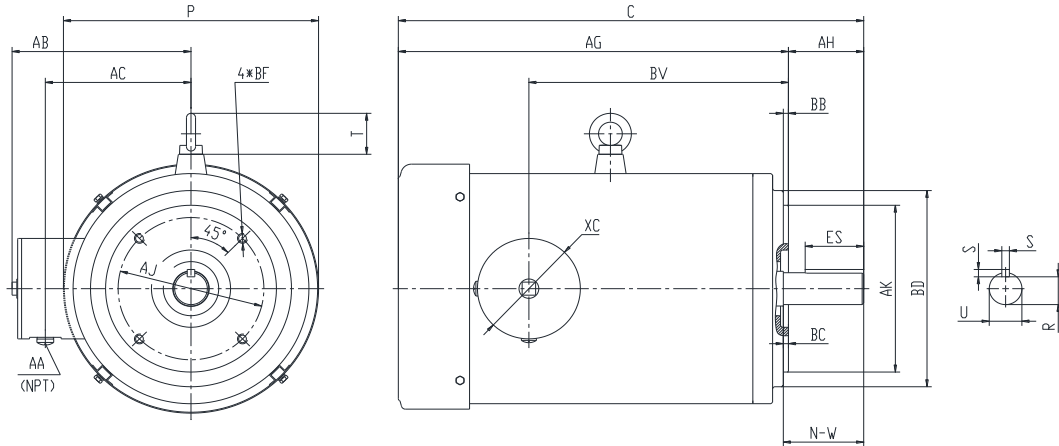




PES215TC5M-6-RB-A

**WASHDOWN DUTY MOTOR
 NEMA PREMIUM EFFICIENCY
 STAINLESS STEEL CONSTRUCTION - ROUND BODY (C-FLANGE FOOTLESS)
 TOTALLY ENCLOSED FAN COOLED - IP66 CONSTRUCTION
 INVERTER DUTY 10:1 CT; 20:1 VT - NEMA MG1 PART 31**



DIMENSIONS

HP	RPM	Frame	MOUNTING				FLANGE					
			C	P	T	AG	AH	AJ	AK	BB	BC	BF
5	1200	215TC	21.5	10.08	1.75	18.38	3.12	7.25	8.5	0.25	0.25	4*1/2-13

Shaft Extension, Key Set					Conduit Box				
U	R	S	ES	N-W	AA	AB	AC	BV	
1.375	1.201	0.312	2.41	3.38	0.5	7.85	6.41	11.95	

Bearings		Mount
DE	ODE	
6308-2RS	6208-2RS	F1

BEARING LUBRICATION: The bearings come lubricated with Mobil Polyrex EM Polyurea Grease.





PESS215TC5M-6-RB-A

WASHDOWN DUTY MOTOR

NEMA PREMIUM EFFICIENCY

STAINLESS STEEL CONSTRUCTION - ROUND BODY (C-FLANGE FOOTLESS)

TOTALLY ENCLOSED FAN COOLED - IP66 CONSTRUCTION

INVERTER DUTY 10:1 CT; 20:1 VT - NEMA MG1 PART 31

PERFORMANCE DATA

HP	RPM	Frame	Voltage	Frequency (Hz)	Full Load S.F.	Insulation Class	NEMA Design	Slip (%)	NEMA Code	Enclosure Type	IP Rating	Max. Ambient
5	1175	215TC	230/460	60	1.15	F	B	2.1	J	TEFC	66	40 °C

Amps (460V)		Efficiency (%)			Power Factor			Torque (ft-lb)			DE Bearing	ODE Bearing	Connection	Weight (lbs.)
FLA	LRA	100%	75%	50%	100%	75%	50%	FLT	LRT %	BDT %	6308-2RS	6208-2RS	9 Lead 2Y/Y	196
6.8	46	87.5	87.5	86.0	0.78	0.67	0.55	22.1	250	270				

*Usable at 208 Volts

NAME PLATE

		THREE PHASE AC INDUCTION MOTOR INVERTER DUTY 20:1 VT; 10:1 CT										Hernando, MS 38632	
		Model : PESS215TC5M-6-RB-A				IP 66		FRAME 215TC		LB/WT 196			
HZ 60		S.F. 1.15		HZ 50		S.F. 1.0		NEMA DESIGN B					
HP 5		RPM 1175		HP 5		RPM 970		ENCL. TEFC		INS F			
VOLTS 230/460				VOLTS 190/380				DUTY CONT		AMB 40 °C			
AMPS 13.6/6.8				AMPS 16.6/8.3				DE BRG		6308-2RS			
CODE J		P.F. 0.78		CODE J		P.F. 0.80		ODE BRG		6208-2RS			
EFF 87.5		MIN 85.5		EFF 85.5		MIN 83.0		SER NO.					
230V 		460V 								CC082A MADE IN CHINA			

Factory Certified for T2B
 Div 2. Class I, Gr. A , B , C & D
 and Class II, Gr. F & G

APPLICATIONS:

Applications include washdown applications, food processing, chemical processing, pharmaceuticals, poultry processing, meat processing, dairy applications, bakeries, snack foods, bottling and extremely corrosive environments.