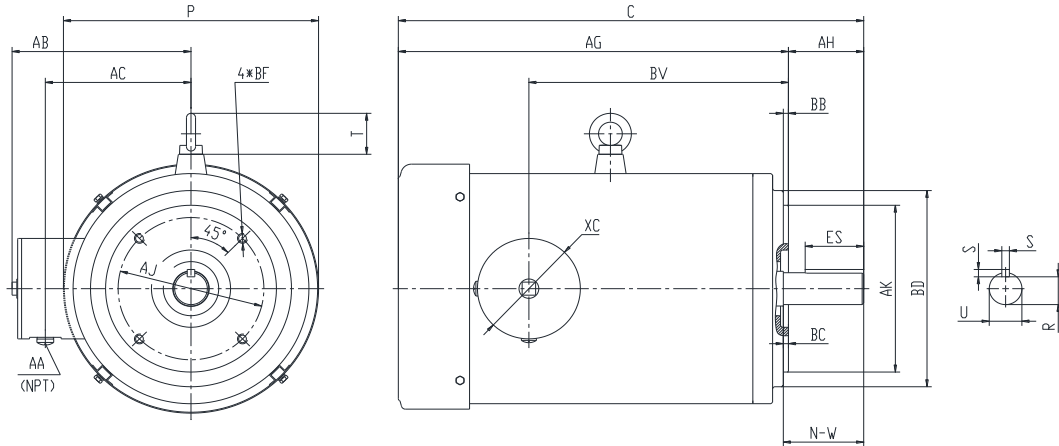




**PESS254TC7.5M-6-RB-A**

**WASHDOWN DUTY MOTOR  
 NEMA PREMIUM EFFICIENCY  
 STAINLESS STEEL CONSTRUCTION - ROUND BODY (C-FLANGE FOOTLESS)  
 TOTALLY ENCLOSED FAN COOLED - IP66 CONSTRUCTION  
 INVERTER DUTY 10:1 CT; 20:1 VT - NEMA MG1 PART 31**



**DIMENSIONS**

HP	RPM	Frame	MOUNTING				FLANGE					
			C	P	T	AG	AH	AJ	AK	BB	BC	BF
7.5	1200	254TC	0	0	0	0	0	0	0	0	0	0

Shaft Extension, Key Set					Conduit Box			
U	R	S	ES	N-W	AA	AB	AC	BV
0	0	0	0	0	0	0	0	0

Bearings		Mount
DE	ODE	
0	0	0

**BEARING LUBRICATION:** The bearings come lubricated with Mobil Polyrex EM Polyurea Grease.





## PESS254TC7.5M-6-RB-A

**WASHDOWN DUTY MOTOR**  
**NEMA PREMIUM EFFICIENCY**  
**STAINLESS STEEL CONSTRUCTION - ROUND BODY (C-FLANGE FOOTLESS)**  
**TOTALLY ENCLOSED FAN COOLED - IP66 CONSTRUCTION**  
**INVERTER DUTY 10:1 CT; 20:1 VT - NEMA MG1 PART 31**

### PERFORMANCE DATA

HP	RPM	Frame	Voltage	Frequency (Hz)	Full Load S.F.	Insulation Class	NEMA Design	Slip (%)	NEMA Code	Enclosure Type	IP Rating	Max. Ambient
7.5	#N/A	254TC	#N/A	#N/A	#N/A	#N/A	#N/A	#N/A	#N/A	#N/A	#N/A	#N/A

Amps (460V)		Efficiency (%)			Power Factor			Torque (ft-lb)			DE Bearing	ODE Bearing	Connection	Weight (lbs.)
FLA	LRA	100%	75%	50%	100%	75%	50%	FLT	LRT %	BDT %				
#N/A	#N/A	#N/A	#N/A	#N/A	#N/A	#N/A	#N/A	#N/A	#N/A	#N/A	#N/A	#N/A	#N/A	#N/A

\*Usable at 208 Volts

### NAME PLATE

		<b>THREE PHASE AC INDUCTION MOTOR</b> <b>INVERTER DUTY 20:1 VT; 10:1 CT</b>										Hernando, MS 38632					
		Model :		PESS254TC7.5M-6-RB-A				IP	#N/A		FRAME	254TC		LB/WT	#N/A		
HZ	#N/A		S.F.	#N/A		HZ	#N/A		S.F.	#N/A		NEMA DESIGN	#N/A				
HP	7.5		RPM	#N/A		HP	#N/A		RPM	#N/A		ENCL.	#N/A		INS	#N/A	
VOLTS			#N/A			VOLTS			#N/A			DUTY	#N/A		AMB	#N/A	
AMPS			#N/A			AMPS			#N/A			DE BRG			#N/A		
CODE	#N/A		P.F.	#N/A		CODE	#N/A		P.F.	#N/A		ODE BRG			#N/A		
EFF	#N/A		MIN	#N/A		EFF	#N/A		MIN	#N/A		SER NO.					
<div style="display: flex; justify-content: space-between; align-items: center;"> <div style="text-align: center;"> <p>230V      460V</p> </div> <div style="text-align: center;"> </div> <div style="text-align: right;"> <p>CC082A</p> <p>MADE IN CHINA</p> </div> </div>																	

Factory Certified for T2B  
 Div 2. Class I, Gr. A , B , C & D  
 and Class II, Gr. F & G

### APPLICATIONS:

Applications include washdown applications, food processing, chemical processing, pharmaceuticals, poultry processing, meat processing, dairy applications, bakeries, snack foods, bottling and extremely corrosive environments.