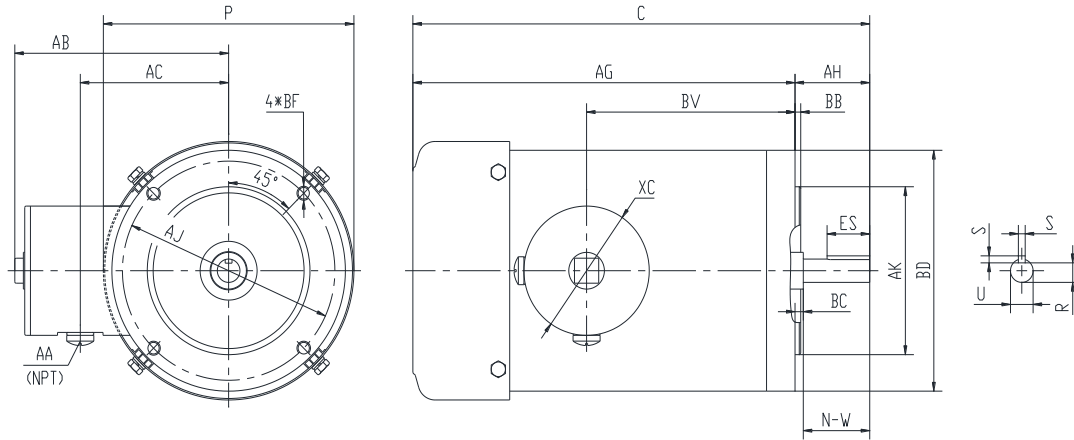




PES56C1M-2-RB-A

**WASHDOWN DUTY MOTOR
 NEMA PREMIUM EFFICIENCY
 STAINLESS STEEL CONSTRUCTION - ROUND BODY (C-FLANGE FOOTLESS)
 TOTALLY ENCLOSED FAN COOLED - IP66 CONSTRUCTION
 INVERTER DUTY 10:1 CT; 20:1 VT - NEMA MG1 PART 31**



DIMENSIONS

HP	RPM	Frame	MOUNTING			FLANGE					
			C	P	AG	AH	AJ	AK	BB	BC	BF
1	3600	56C	12.57	6.95	10.51	2.06	5.875	4.5	0.16	-0.19	4*3/8-16

Shaft Extension, Key Set					Conduit Box			
U	R	S	ES	N-W	AA	AB	AC	BV
0.625	0.517	0.188	1.41	1.88	0.5	5.95	4.5	5.75

Bearings		Mount
DE	ODE	
6205-2RS	6205-2RS	F1

BEARING LUBRICATION: The bearings come lubricated with Mobil Polyrex EM Polyurea Grease.





PESS56C1M-2-RB-A

WASHDOWN DUTY MOTOR

NEMA PREMIUM EFFICIENCY

STAINLESS STEEL CONSTRUCTION - ROUND BODY (C-FLANGE FOOTLESS)

TOTALLY ENCLOSED FAN COOLED - IP66 CONSTRUCTION

INVERTER DUTY 10:1 CT; 20:1 VT - NEMA MG1 PART 31


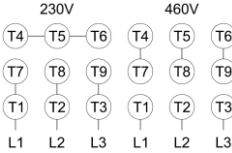



PERFORMANCE DATA

HP	RPM	Frame	Voltage	Frequency (Hz)	Full Load S.F.	Insulation Class	NEMA Design	Slip (%)	NEMA Code	Enclosure Type	IP Rating	Max. Ambient
1	3470	56C	230/460	60	1.15	F	B	3.6	K	TEFC	66	40 °C

Amps (460V)		Efficiency (%)			Power Factor			Torque (ft-lb)			DE Bearing	ODE Bearing	Connection	Weight (lbs.)
FLA	LRA	100%	75%	50%	100%	75%	50%	FLT	LRT %	BDT %				
1.4	15	77.0	75.0	74.0	0.88	0.86	0.78	1.5	285	300	6205-2RS	6205-2RS	9 Lead 2Y/Y	34

*Usable at 208 Volts

NAME PLATE

		THREE PHASE AC INDUCTION MOTOR						INVERTER DUTY 20:1 VT; 10:1 CT				Hernando, MS 38632	
Model :		PESS56C1M-2-RB-A				IP	66	FRAME	56C	LB/WT	34		
HZ	60	S.F.	1.15	HZ	50	S.F.	1.0	NEMA DESIGN		B			
HP	1	RPM	3470	HP	1	RPM	2860	ENCL.	TEFC	INS	F		
VOLTS		230/460		VOLTS		190/380		DUTY	CONT	AMB		40 °C	
AMPS		2.8/1.4		AMPS		3.3/1.65		DE BRG		6205-2RS			
CODE	K	P.F.	0.88	CODE	K	P.F.	0.90	ODE BRG		6205-2RS			
EFF	77.0	MIN	74.0	EFF	74.0	MIN	71.0	SER NO.					
								CC082A		MADE IN CHINA			

Factory Certified for T2B
Div 2. Class I, Gr. A , B , C & D
and Class II, Gr. F & G

APPLICATIONS:

Applications include washdown applications, food processing, chemical processing, pharmaceuticals, poultry processing, meat processing, dairy applications, bakeries, snack foods, bottling and extremely corrosive environments.