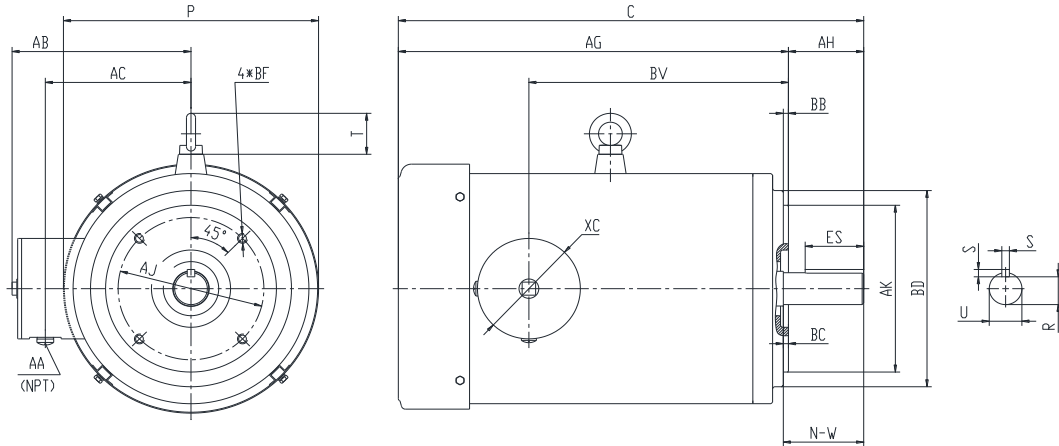




**PES5184TC5M-4-RB-A**

**WASHDOWN DUTY MOTOR**  
**NEMA PREMIUM EFFICIENCY**  
**STAINLESS STEEL CONSTRUCTION - ROUND BODY (C-FLANGE FOOTLESS)**  
**TOTALLY ENCLOSED FAN COOLED - IP66 CONSTRUCTION**  
**INVERTER DUTY 10:1 CT; 20:1 VT - NEMA MG1 PART 31**



**DIMENSIONS**

HP	RPM	Frame	MOUNTING				FLANGE					
			C	P	T	AG	AH	AJ	AK	BB	BC	BF
5	1800	184TC	17	9.25	1.45	14.38	2.62	7.25	8.5	0.25	0.12	4*1/2-13

Shaft Extension, Key Set					Conduit Box			
U	R	S	ES	N-W	AA	AB	AC	BV
1.125	0.986	0.25	1.78	2.75	0.5	7	5.55	8.5

Bearings		Mount
DE	ODE	
6308-2RS	6306-2RS	F1

**BEARING LUBRICATION:** The bearings come lubricated with Mobil Polyrex EM Polyurea Grease.





**PESS184TC5M-4-RB-A**

**WASHDOWN DUTY MOTOR  
 NEMA PREMIUM EFFICIENCY  
 STAINLESS STEEL CONSTRUCTION - ROUND BODY (C-FLANGE FOOTLESS)  
 TOTALLY ENCLOSED FAN COOLED - IP66 CONSTRUCTION  
 INVERTER DUTY 10:1 CT; 20:1 VT - NEMA MG1 PART 31**

**PERFORMANCE DATA**

HP	RPM	Frame	Voltage	Frequency (Hz)	Full Load S.F.	Insulation Class	NEMA Design	Slip (%)	NEMA Code	Enclosure Type	IP Rating	Max. Ambient
5	1765	184TC	230/460	60	1.15	F	B	1.9	J	TEFC	66	40 °C

Amps (460V)		Efficiency (%)			Power Factor			Torque (ft-lb)			DE Bearing	ODE Bearing	Connection	Weight (lbs.)
FLA	LRA	100%	75%	50%	100%	75%	50%	FLT	LRT %	BDT %				
6.25	46	89.5	90.0	89.0	0.86	0.77	0.66	14.7	255	280	6308-2RS	6306-2RS	9 Lead 2Y/Y	98

\*Usable at 208 Volts

**NAME PLATE**

		<b>THREE PHASE AC INDUCTION MOTOR</b> <b>INVERTER DUTY 20:1 VT; 10:1 CT</b>						Hernando, MS 38632					
Model :		PESS184TC5M-4-RB-A				IP	66	FRAME	184TC	LB/WT	98		
HZ	60	S.F.	1.15	HZ	50	S.F.	1.0	NEMA DESIGN	B				
HP	5	RPM	1765	HP	5	RPM	1460	ENCL.	TEFC	INS	F		
VOLTS		230/460		VOLTS		190/380		DUTY	CONT	AMB 40 °C			
AMPS		12.5/6.25		AMPS		14.8/7.4		DE BRG		6308-2RS			
CODE	J	P.F.	0.86	CODE	K	P.F.	0.88	ODE BRG		6306-2RS			
EFF	89.5	MIN	87.5	EFF	87.5	MIN	85.5	SER NO.					
								CC082A		MADE IN CHINA			

Factory Certified for T2B  
 Div 2. Class I, Gr. A , B , C & D  
 and Class II, Gr. F & G

**APPLICATIONS:**

Applications include washdown applications, food processing, chemical processing, pharmaceuticals, poultry processing, meat processing, dairy applications, bakeries, snack foods, bottling and extremely corrosive environments.