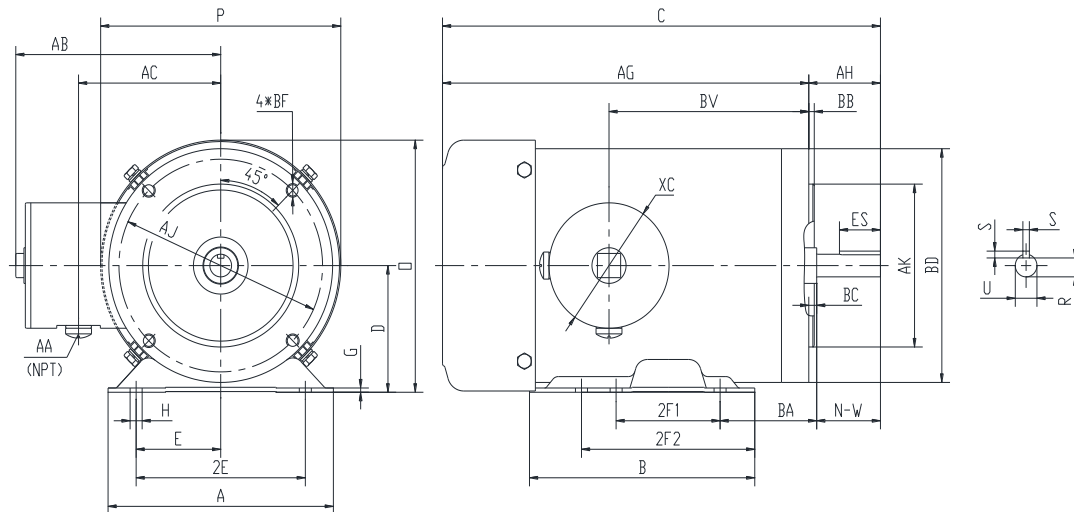


### PES56C1.5M-4-A

**WASHDOWN DUTY MOTOR**  
**NEMA PREMIUM EFFICIENCY**  
**STAINLESS STEEL CONSTRUCTION - C-FLANGE WITH FEET**  
**TOTALLY ENCLOSED FAN COOLED - IP66 CONSTRUCTION**  
**INVERTER DUTY 10:1 CT; 20:1 VT - NEMA MG1 PART 31**



#### DIMENSIONS

HP	RPM	Frame	MOUNTING													
			A	B	C	D	G	H	E	2E	2F1	2F2	O	P	AG	BA
1.5	1800	56C	6.5	6.5	12.57	3.5	0.118	1.22*0.34	2.44	4.88	3	5	6.98	6.95	10.51	2.75

FLANGE						Shaft Extension, Key Set					Conduit Box				
AH	AJ	AK	BB	BC	BF	U	R	S	ES	N-W	AA	AB	AC	BV	
2.06	5.875	4.5	0.16	-0.19	4*3/8-16	0.625	0.517	0.188	1.41	1.88	0.5	5.95	4.5	5.75	

Bearings		Mount
DE	ODE	
6205-2RS	6205-2RS	F1

**BEARING LUBRICATION:** The bearings come lubricated with Mobil Polyrex EM Polyurea Grease.



## PESS56C1.5M-4-A

**WASHDOWN DUTY MOTOR**  
**NEMA PREMIUM EFFICIENCY**  
**STAINLESS STEEL CONSTRUCTION - C-FLANGE WITH FEET**  
**TOTALLY ENCLOSED FAN COOLED - IP66 CONSTRUCTION**  
**INVERTER DUTY 10:1 CT; 20:1 VT - NEMA MG1 PART 31**


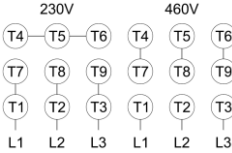



### PERFORMANCE DATA

HP	RPM	Frame	Voltage	Frequency (Hz)	Full Load S.F.	Insulation Class	NEMA Design	Slip (%)	NEMA Code	Enclosure Type	IP Rating	Max. Ambient
1.5	1750	56C	230/460	60	1.15	F	B	2.8	K	TEFC	66	40 °C

Amps (460V)		Efficiency (%)			Power Factor			Torque (ft-lb)			DE Bearing	ODE Bearing	Connection	Weight (lbs.)
FLA	LRA	100%	75%	50%	100%	75%	50%	FLT	LRT %	BDT %	6205-2RS	6205-2RS	9 Lead 2Y/Y	42
2.3	20	86.5	83.0	79.0	0.72	0.61	0.50	4.4	285	300				

\*Usable at 208 Volts

### NAME PLATE

		THREE PHASE AC INDUCTION MOTOR INVERTER DUTY 20:1 VT; 10:1 CT								Hernando, MS 38632				
Model :		PESS56C1.5M-4-A				IP	66	FRAME	56C	LB/WT	42			
HZ	60	S.F.	1.15	HZ	50	S.F.	1.0	NEMA DESIGN		B				
HP	1.5	RPM	1750	HP	1.5	RPM	1450	ENCL.	TEFC	INS	F			
VOLTS		230/460			VOLTS			190/380		DUTY	CONT	AMB	40 °C	
AMPS		4.6/2.3			AMPS			5.4/2.7		DE BRG		6205-2RS		
CODE	K	P.F.	0.72	CODE	K	P.F.	0.75	ODE BRG		6205-2RS				
EFF	86.5	MIN	84.0	EFF	84.0	MIN	81.5	SER NO.						
								CC082A		MADE IN CHINA				

Factory Certified for T2B  
 Div 2. Class I, Gr. A , B , C & D  
 and Class II, Gr. F & G

### APPLICATIONS:

Applications include washdown applications, food processing, chemical processing, pharmaceuticals, poultry processing, meat processing, dairy applications, bakeries, snack foods, bottling and extremely corrosive environments.