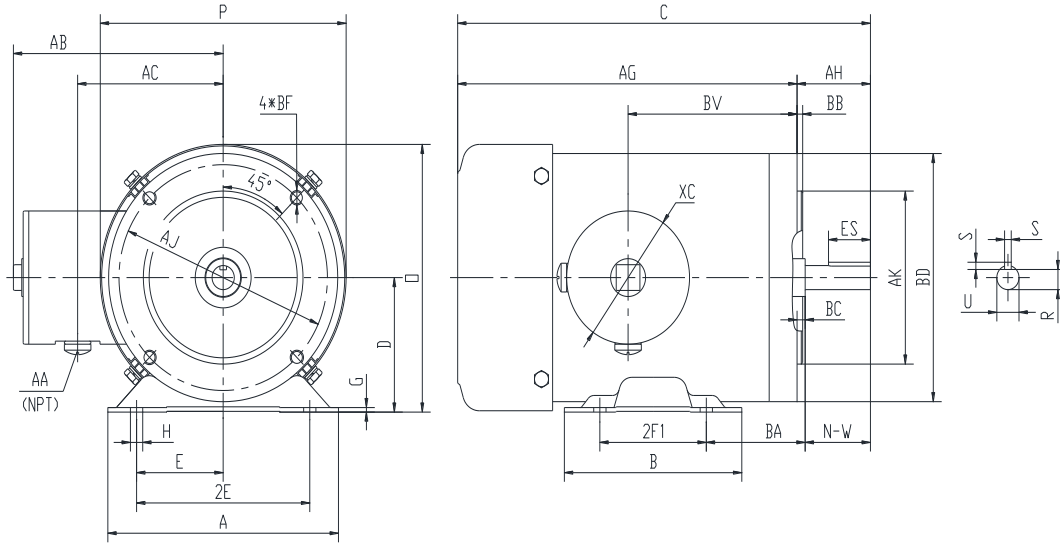


SS56C3/4M-2-A

WASHDOWN DUTY MOTOR
 HIGH EFFICIENCY / EISA COMPLIANT
 STAINLESS STEEL CONSTRUCTION - C-FLANGE WITH FEET
 TOTALLY ENCLOSED FAN COOLED - IP66 CONSTRUCTION
 INVERTER DUTY 10:1 CT; 20:1 VT - NEMA MG1 PART 31



DIMENSIONS

HP	RPM	Frame	MOUNTING													
			A	B	C	D	G	H	E	2E	2F1	2F2	O	P	AG	BA
3/4	3600	56C	6.5	5	12.57	3.5	0.118	1.22*0.34	2.44	4.88	3	NA	6.98	6.95	10.51	2.75

FLANGE							Shaft Extension, Key Set				
AH	AJ	AK	BB	BC	BD	BF	U	R	S	ES	N-W
2.06	5.875	4.5	0.16	-0.19	6.5	4*3/8-16	0.625	0.517	0.188	1.41	1.88

Conduit Box					Bearings		Mount
AA	AB	AC	BV	XC	DE	ODE	
0.5	5.95	4.5	5.75	3.45	6205-2RS	6205-2RS	F1

BEARING LUBRICATION: The bearings come lubricated with Mobil Polyrex EM Polyurea Grease.



SS56C3/4M-2-A

WASHDOWN DUTY MOTOR
HIGH EFFICIENCY / EISA COMPLIANT
STAINLESS STEEL CONSTRUCTION - C-FLANGE WITH FEET
TOTALLY ENCLOSED FAN COOLED - IP66 CONSTRUCTION
INVERTER DUTY 10:1 CT; 20:1 VT - NEMA MG1 PART 31


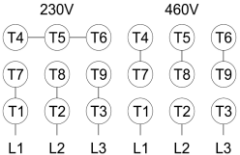



PERFORMANCE DATA

HP	RPM	Frame	Voltage	Frequency (Hz)	Full Load S.F.	Insulation Class	NEMA Design	Slip (%)	NEMA Code	Enclosure Type	IP Rating	Max. Ambient
3/4	3500	56C	230/460	60	1.15	F	B	2.8	K	TEFC	66	40 °C

Amps (460V)		Efficiency (%)			Power Factor			Torque (ft-lb)			DE Bearing	ODE Bearing	Connection	Weight (lbs.)
FLA	LRA	100%	75%	50%	100%	75%	50%	FLT	LRT %	BDT %				
1.1	12.5	80.0	77.0	70.0	0.90	0.81	0.72	1.1	285	300	6205-2RS	6205-2RS	9 Lead 2Y/Y	33

*Usable at 208 Volts

NAME PLATE

		THREE PHASE AC INDUCTION MOTOR						INVERTER DUTY 20:1 VT; 10:1 CT						Hernando, MS 38632			
Model :		SS56C3/4M-2-A						IP 66		FRAME 56C		LB/WT 33					
HZ 60		S.F. 1.15		HZ 50		S.F. 1.0		NEMA DESIGN B									
HP 3/4		RPM 3500		HP 3/4		RPM 2880		ENCL. TEFC		INS F							
VOLTS 230/460		VOLTS 190/380		DUTY CONT		AMB 40 °C											
AMPS 2.2/1.1		AMPS 2.6/1.3		DE BRG 6205-2RS													
CODE K		P.F. 0.90		CODE K		P.F. 0.91		ODE BRG 6205-2RS									
EFF 80.0		MIN 77.0		EFF 77.0		MIN 74.0		SER NO.									
								CC082A		MADE IN CHINA							

Factory Certified for T2B
 Div 2. Class I, Gr. A , B , C & D
 and Class II, Gr. F & G

APPLICATIONS:

Applications include washdown applications, food processing, chemical processing, pharmaceuticals, poultry processing, meat processing, dairy applications, bakeries, snack foods, bottling and extremely corrosive environments.