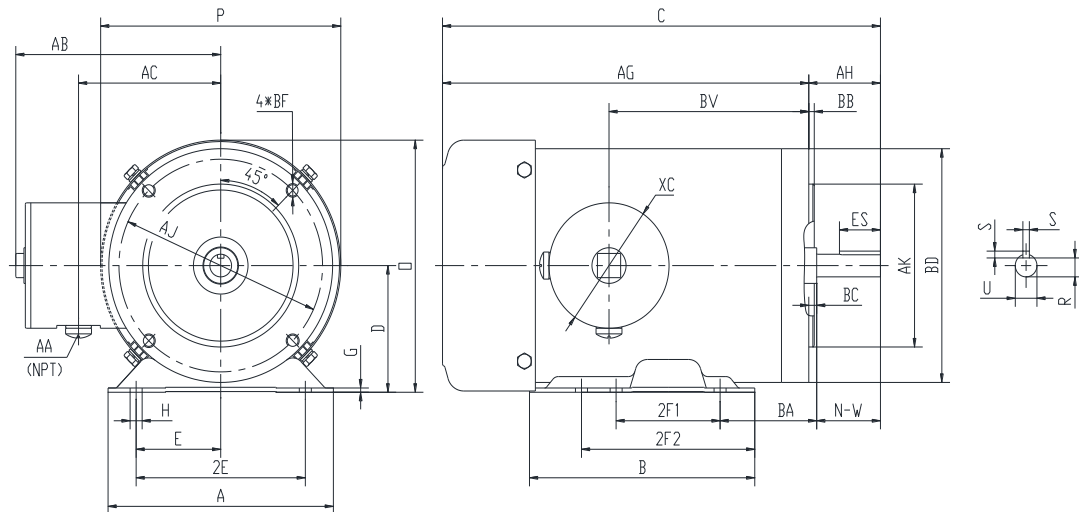


PES145TC1M-6-A

WASHDOWN DUTY MOTOR
NEMA PREMIUM EFFICIENCY
STAINLESS STEEL CONSTRUCTION - C-FLANGE WITH FEET
TOTALLY ENCLOSED FAN COOLED - IP66 CONSTRUCTION
INVERTER DUTY 10:1 CT; 20:1 VT - NEMA MG1 PART 31



DIMENSIONS

HP	RPM	Frame	MOUNTING													
			A	B	C	D	G	H	E	2E	2F1	2F2	O	P	AG	BA
1	1200	145TC	6.5	6.5	12.63	3.5	0.118	1.22*0.34	2.75	5.5	3	5	6.98	6.95	10.51	2.75

FLANGE						Shaft Extension, Key Set					Conduit Box			
AH	AJ	AK	BB	BC	BF	U	R	S	ES	N-W	AA	AB	AC	BV
2.12	5.875	4.5	0.16	0.12	4*3/8-16	0.875	0.771	0.188	1.41	2.25	0.5	5.95	4.5	5.75

Bearings		Mount
DE	ODE	
6205-2RS	6205-2RS	F1

BEARING LUBRICATION: The bearings come lubricated with Mobil Polyrex EM Polyurea Grease.





PESS145TC1M-6-A

WASHDOWN DUTY MOTOR
NEMA PREMIUM EFFICIENCY
STAINLESS STEEL CONSTRUCTION - C-FLANGE WITH FEET
TOTALLY ENCLOSED FAN COOLED - IP66 CONSTRUCTION
INVERTER DUTY 10:1 CT; 20:1 VT - NEMA MG1 PART 31

PERFORMANCE DATA

HP	RPM	Frame	Voltage	Frequency (Hz)	Full Load S.F.	Insulation Class	NEMA Design	Slip (%)	NEMA Code	Enclosure Type	IP Rating	Max. Ambient
1	1165	145TC	230/460	60	1.15	F	B	2.9	K	TEFC	66	40 °C

Amps (460V)		Efficiency (%)			Power Factor			Torque (ft-lb)			DE Bearing	ODE Bearing	Connection	Weight (lbs.)
FLA	LRA	100%	75%	50%	100%	75%	50%	FLT	LRT %	BDT %				
1.9	15	82.5	76.0	72.0	0.61	0.59	0.50	4.4	255	270	6205-2RS	6205-2RS	9 Lead 2Y/Y	43

*Usable at 208 Volts

NAME PLATE

		THREE PHASE AC INDUCTION MOTOR INVERTER DUTY 20:1 VT; 10:1 CT								Hernando, MS 38632			
		Model : PESS145TC1M-6-A				IP 66		FRAME 145TC		LB/WT 43			
HZ 60		S.F. 1.15		HZ 50		S.F. 1.0		NEMA DESIGN B					
HP 1		RPM 1165		HP 1		RPM 965		ENCL. TEFC		INS F			
VOLTS 230/460				VOLTS 190/380				DUTY CONT		AMB 40 °C			
AMPS 3.8/1.9				AMPS 4.4/2.2				DE BRG 6205-2RS					
CODE K		P.F. 0.61		CODE K		P.F. 0.63		ODE BRG 6205-2RS					
EFF 82.5		MIN 80.0		EFF 80.0		MIN 77.0		SER NO.					
230V 		460V 								CC082A MADE IN CHINA			

Factory Certified for T2B
 Div 2. Class I, Gr. A , B , C & D
 and Class II, Gr. F & G

APPLICATIONS:

Applications include washdown applications, food processing, chemical processing, pharmaceuticals, poultry processing, meat processing, dairy applications, bakeries, snack foods, bottling and extremely corrosive environments.