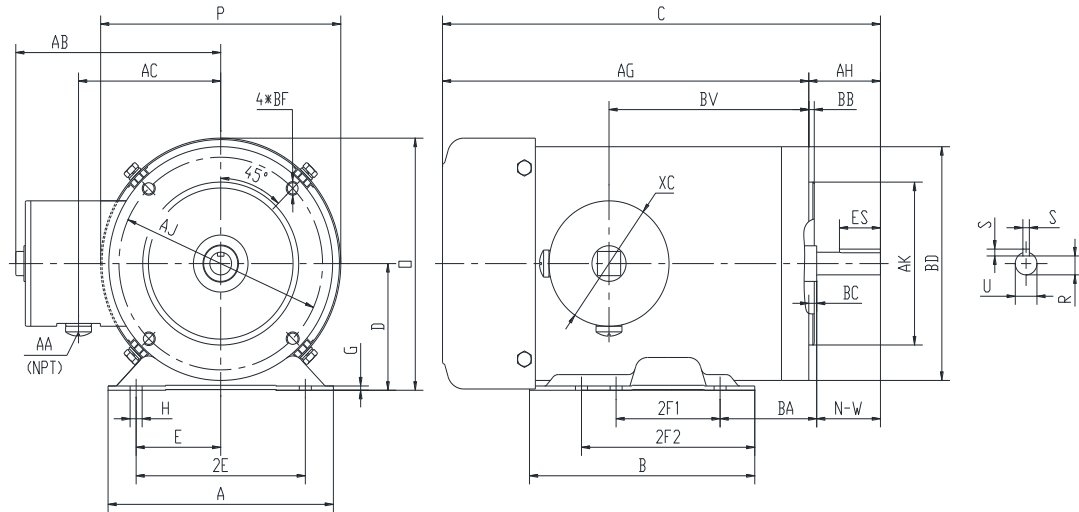


PES56C2M-2-A

WASHDOWN DUTY MOTOR
NEMA PREMIUM EFFICIENCY
STAINLESS STEEL CONSTRUCTION - C-FLANGE WITH FEET
TOTALLY ENCLOSED FAN COOLED - IP66 CONSTRUCTION
INVERTER DUTY 10:1 CT; 20:1 VT - NEMA MG1 PART 31



DIMENSIONS

HP	RPM	Frame	MOUNTING													
			A	B	C	D	G	H	E	2E	2F1	2F2	O	P	AG	BA
2	3600	56C	6.5	6.5	13.75	3.5	0.118	1.22*0.34	2.44	4.88	3	5	6.98	6.95	11.69	2.75

FLANGE						Shaft Extension, Key Set					Conduit Box				
AH	AJ	AK	BB	BC	BF	U	R	S	ES	N-W	AA	AB	AC	BV	
2.06	5.875	4.5	0.16	-0.19	4*3/8-16	0.625	0.517	0.188	1.41	1.88	0.5	5.95	4.5	6.95	

Bearings		Mount
DE	ODE	
6205-2RS	6205-2RS	F1

BEARING LUBRICATION: The bearings come lubricated with Mobil Polyrex EM Polyurea Grease.





PESS56C2M-2-A

WASHDOWN DUTY MOTOR
NEMA PREMIUM EFFICIENCY
STAINLESS STEEL CONSTRUCTION - C-FLANGE WITH FEET
TOTALLY ENCLOSED FAN COOLED - IP66 CONSTRUCTION
INVERTER DUTY 10:1 CT; 20:1 VT - NEMA MG1 PART 31


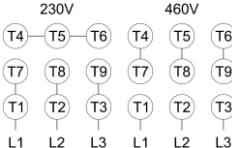



PERFORMANCE DATA

HP	RPM	Frame	Voltage	Frequency (Hz)	Full Load S.F.	Insulation Class	NEMA Design	Slip (%)	NEMA Code	Enclosure Type	IP Rating	Max. Ambient
2	3480	56C	230/460	60	1.15	F	B	3.3	K	TEFC	66	40 °C

Amps (460V)		Efficiency (%)			Power Factor			Torque (ft-lb)			DE Bearing	ODE Bearing	Connection	Weight (lbs.)
FLA	LRA	100%	75%	50%	100%	75%	50%	FLT	LRT %	BDT %				
2.4	25	85.5	79.0	75.0	0.90	0.85	0.78	2.9	285	300	6205-2RS	6205-2RS	9 Lead 2Y/Y	45

*Usable at 208 Volts

NAME PLATE

		THREE PHASE AC INDUCTION MOTOR						INVERTER DUTY 20:1 VT; 10:1 CT						Hernando, MS 38632									
Model :				PESS56C2M-2-A				IP		66		FRAME		56C		LB/WT		45					
HZ		60		S.F.		1.15		HZ		50		S.F.		1.0		NEMA DESIGN				B			
HP		2		RPM		3480		HP		2		RPM		2870		ENCL.		TEFC		INS		F	
VOLTS				230/460				VOLTS				190/380				DUTY		CONT		AMB		40 °C	
AMPS				4.8/2.4				AMPS				5.8/2.9				DE BRG		6205-2RS					
CODE		K		P.F.		0.90		CODE		K		P.F.		0.91		ODE BRG		6205-2RS					
EFF		85.5		MIN		82.5		EFF		82.5		MIN		79.5		SER NO.							
								CC082A		MADE IN CHINA													

Factory Certified for T2B
 Div 2. Class I, Gr. A , B , C & D
 and Class II, Gr. F & G

APPLICATIONS:

Applications include washdown applications, food processing, chemical processing, pharmaceuticals, poultry processing, meat processing, dairy applications, bakeries, snack foods, bottling and extremely corrosive environments.