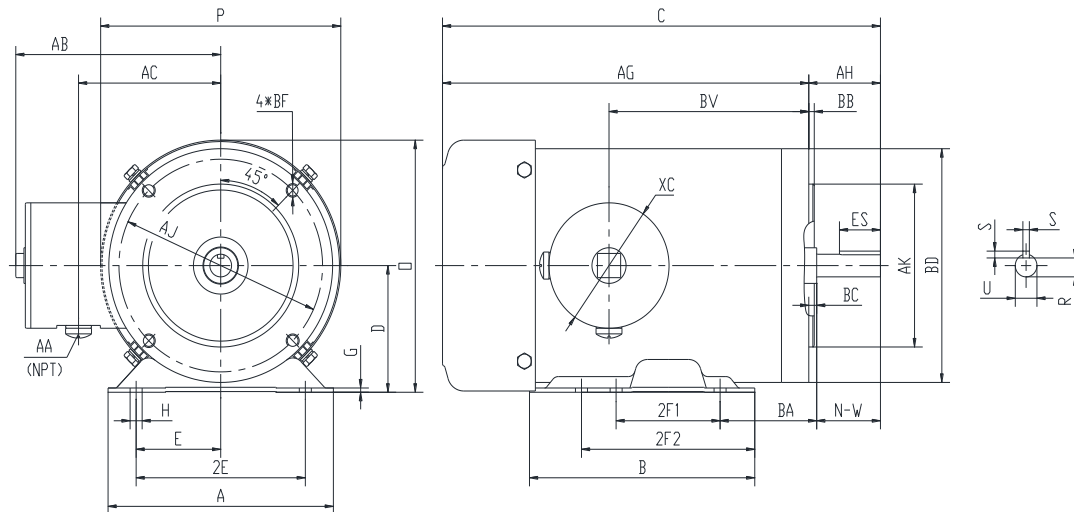


PES145TC2M-4-A

WASHDOWN DUTY MOTOR
NEMA PREMIUM EFFICIENCY
STAINLESS STEEL CONSTRUCTION - C-FLANGE WITH FEET
TOTALLY ENCLOSED FAN COOLED - IP66 CONSTRUCTION
INVERTER DUTY 10:1 CT; 20:1 VT - NEMA MG1 PART 31



DIMENSIONS

HP	RPM	Frame	MOUNTING													
			A	B	C	D	G	H	E	2E	2F1	2F2	O	P	AG	BA
2	1800	145TC	6.5	6.5	13.81	3.5	0.118	1.22*0.34	2.75	5.5	3	5	6.98	6.95	11.69	2.75

FLANGE						Shaft Extension, Key Set					Conduit Box			
AH	AJ	AK	BB	BC	BF	U	R	S	ES	N-W	AA	AB	AC	BV
2.12	5.875	4.5	0.16	0.12	4*3/8-16	0.875	0.771	0.188	1.41	2.25	0.5	5.95	4.5	6.95

Bearings		Mount
DE	ODE	
6205-2RS	6205-2RS	F1

BEARING LUBRICATION: The bearings come lubricated with Mobil Polyrex EM Polyurea Grease.



PESS145TC2M-4-A

WASHDOWN DUTY MOTOR
NEMA PREMIUM EFFICIENCY
STAINLESS STEEL CONSTRUCTION - C-FLANGE WITH FEET
TOTALLY ENCLOSED FAN COOLED - IP66 CONSTRUCTION
INVERTER DUTY 10:1 CT; 20:1 VT - NEMA MG1 PART 31

PERFORMANCE DATA

HP	RPM	Frame	Voltage	Frequency (Hz)	Full Load S.F.	Insulation Class	NEMA Design	Slip (%)	NEMA Code	Enclosure Type	IP Rating	Max. Ambient
2	1750	145TC	230/460	60	1.15	F	B	2.8	K	TEFC	66	40 °C

Amps (460V)		Efficiency (%)			Power Factor			Torque (ft-lb)			DE Bearing	ODE Bearing	Connection	Weight (lbs.)
FLA	LRA	100%	75%	50%	100%	75%	50%	FLT	LRT %	BDT %	6205-2RS	6205-2RS	9 Lead 2Y/Y	52
3	25	86.5	83.0	80.0	0.75	0.66	0.52	5.9	285	300				

*Usable at 208 Volts

NAME PLATE

		THREE PHASE AC INDUCTION MOTOR INVERTER DUTY 20:1 VT; 10:1 CT						Hernando, MS 38632						
Model :		PESS145TC2M-4-A				IP	66	FRAME	145TC	LB/WT	52			
HZ	60	S.F.	1.15	HZ	50	S.F.	1.0	NEMA DESIGN		B				
HP	2	RPM	1750	HP	2	RPM	1450	ENCL.	TEFC	INS	F			
VOLTS		230/460			VOLTS		190/380		DUTY	CONT	AMB 40 °C			
AMPS		6/3			AMPS		7.2/3.6		DE BRG		6205-2RS			
CODE	K	P.F.	0.75	CODE	K	P.F.	0.78	ODE BRG		6205-2RS				
EFF	86.5	MIN	84.0	EFF	84.0	MIN	81.5	SER NO.						
								CC082A		MADE IN CHINA				

Factory Certified for T2B
 Div 2. Class I, Gr. A , B , C & D
 and Class II, Gr. F & G

APPLICATIONS:

Applications include washdown applications, food processing, chemical processing, pharmaceuticals, poultry processing, meat processing, dairy applications, bakeries, snack foods, bottling and extremely corrosive environments.