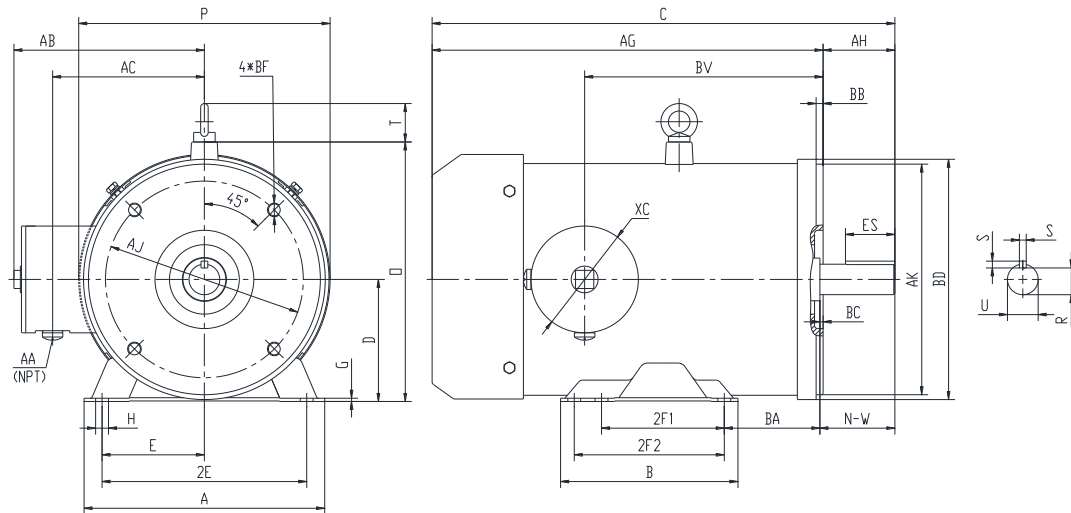




**PES215TC10M-4-A**

**WASHDOWN DUTY MOTOR  
 NEMA PREMIUM EFFICIENCY  
 STAINLESS STEEL CONSTRUCTION - C-FLANGE WITH FEET  
 TOTALLY ENCLOSED FAN COOLED - IP66 CONSTRUCTION  
 INVERTER DUTY 10:1 CT; 20:1 VT - NEMA MG1 PART 31**



**DIMENSIONS**

HP	RPM	Frame	MOUNTING														
			A	B	C	D	G	H	E	2E	2F1	2F2	O	P	T	AG	BA
10	1800	215TC	9.6	8.1	21.5	5.25	0.157	0.41	4.25	8.5	5.5	7	11.2	10.08	1.75	18.3	4.25

FLANGE						Shaft Extension, Key Set					Conduit Box			
AH	AJ	AK	BB	BC	BF	U	R	S	ES	N-W	AA	AB	AC	BV
3.12	7.25	8.5	0.25	0.25	4*1/2-13	1.375	1.201	0.312	2.41	3.38	0.5	7.85	6.41	11.95

Bearings		Mount
DE	ODE	
6308-2RS	6208-2RS	F1

**BEARING LUBRICATION:** The bearings come lubricated with Mobil Polyrex EM Polyurea Grease.





## PESS215TC10M-4-A

**WASHDOWN DUTY MOTOR**  
**NEMA PREMIUM EFFICIENCY**  
**STAINLESS STEEL CONSTRUCTION - C-FLANGE WITH FEET**  
**TOTALLY ENCLOSED FAN COOLED - IP66 CONSTRUCTION**  
**INVERTER DUTY 10:1 CT; 20:1 VT - NEMA MG1 PART 31**

### PERFORMANCE DATA

HP	RPM	Frame	Voltage	Frequency (Hz)	Full Load S.F.	Insulation Class	NEMA Design	Slip (%)	NEMA Code	Enclosure Type	IP Rating	Max. Ambient
10	1760	215TC	230/460	60	1.15	F	B	2.2	H	TEFC	66	40° C

Amps (460V)		Efficiency (%)			Power Factor			Torque (ft-lb)			DE Bearing	ODE Bearing	Connection	Weight (lbs.)
FLA	LRA	100%	75%	50%	100%	75%	50%	FLT	LRT %	BDT %	6308-2RS	6208-2RS	9 Lead 2Y/Y	210
12.2	81	91.7	92.0	91.0	0.85	0.76	0.65	29.3	250	270				

\*Usable at 208 Volts

### NAME PLATE

		<b>THREE PHASE AC INDUCTION MOTOR</b> <b>INVERTER DUTY 20:1 VT; 10:1 CT</b>						Hernando, MS 38632						
Model :		PESS215TC10M-4-A				IP	66	FRAME	215TC	LB/WT	210			
HZ	60	S.F.	1.15	HZ	50	S.F.	1.0	NEMA DESIGN	B					
HP	10	RPM	1760	HP	10	RPM	1460	ENCL.	TEFC	INS	F			
VOLTS		230/460			VOLTS		190/380		DUTY	CONT	AMB 40° C			
AMPS		24.4/12.2			AMPS		29.8/14.9		DE BRG		6308-2RS			
CODE	H	P.F.	0.85	CODE	H	P.F.	0.87	ODE BRG		6208-2RS				
EFF	91.7	MIN	90.2	EFF	90.0	MIN	88.5	SER NO.						
								CC082A		MADE IN CHINA				

Factory Certified for T2B  
 Div 2. Class I, Gr. A , B , C & D  
 and Class II, Gr. F & G

### APPLICATIONS:

Applications include washdown applications, food processing, chemical processing, pharmaceuticals, poultry processing, meat processing, dairy applications, bakeries, snack foods, bottling and extremely corrosive environments.