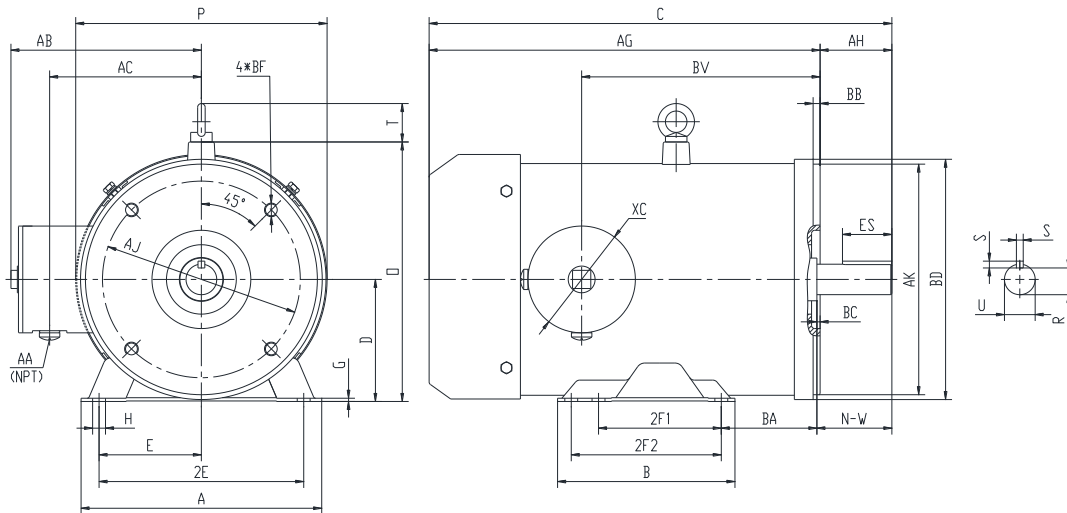


PES215TC10M-2-A

WASHDOWN DUTY MOTOR
NEMA PREMIUM EFFICIENCY
STAINLESS STEEL CONSTRUCTION - C-FLANGE WITH FEET
TOTALLY ENCLOSED FAN COOLED - IP66 CONSTRUCTION
INVERTER DUTY 10:1 CT; 20:1 VT - NEMA MG1 PART 31



DIMENSIONS

HP	RPM	Frame	MOUNTING														
			A	B	C	D	G	H	E	2E	2F1	2F2	O	P	T	AG	BA
10	3600	215TC	9.6	8.1	20.7	5.25	0.157	0.41	4.25	8.5	5.5	7	11.2	10.08	1.75	17.58	4.25

FLANGE						Shaft Extension, Key Set					Conduit Box			
AH	AJ	AK	BB	BC	BF	U	R	S	ES	N-W	AA	AB	AC	BV
3.12	7.25	8.5	0.25	0.25	4*1/2-13	1.375	1.201	0.312	2.41	3.38	0.5	7.85	6.41	11.95

Bearings		Mount
DE	ODE	
6308-2RS	6208-2RS	F1

BEARING LUBRICATION: The bearings come lubricated with Mobil Polyrex EM Polyurea Grease.



PESS215TC10M-2-A

WASHDOWN DUTY MOTOR
NEMA PREMIUM EFFICIENCY
STAINLESS STEEL CONSTRUCTION - C-FLANGE WITH FEET
TOTALLY ENCLOSED FAN COOLED - IP66 CONSTRUCTION
INVERTER DUTY 10:1 CT; 20:1 VT - NEMA MG1 PART 31

PERFORMANCE DATA

HP	RPM	Frame	Voltage	Frequency (Hz)	Full Load S.F.	Insulation Class	NEMA Design	Slip (%)	NEMA Code	Enclosure Type	IP Rating	Max. Ambient
10	3525	215TC	230/460	60	1.15	F	B	2.1	H	TEFC	66	40 °C

Amps (460V)		Efficiency (%)			Power Factor			Torque (ft-lb)			DE Bearing	ODE Bearing	Connection	Weight (lbs.)
FLA	LRA	100%	75%	50%	100%	75%	50%	FLT	LRT %	BDT %				
12.2	81	90.2	90.0	89.0	0.87	0.82	0.72	14.7	250	270	6308-2RS	6208-2RS	9 Lead 2Y/Y	166

*Usable at 208 Volts

NAME PLATE

		THREE PHASE AC INDUCTION MOTOR INVERTER DUTY 20:1 VT; 10:1 CT										Hernando, MS 38632	
		Model : PESS215TC10M-2-A				IP 66		FRAME 215TC		LB/WT 166			
HZ 60		S.F. 1.15		HZ 50		S.F. 1.0		NEMA DESIGN B					
HP 10		RPM 3525		HP 10		RPM 2920		ENCL. TEFC		INS F			
VOLTS 230/460				VOLTS 190/380				DUTY CONT		AMB 40 °C			
AMPS 24.4/12.2				AMPS 29/14.5				DE BRG		6308-2RS			
CODE H		P.F. 0.87		CODE H		P.F. 0.89		ODE BRG		6208-2RS			
EFF 90.2		MIN 88.5		EFF 88.5		MIN 86.5		SER NO.					
230V 		460V 								CC082A MADE IN CHINA			

Factory Certified for T2B
 Div 2. Class I, Gr. A , B , C & D
 and Class II, Gr. F & G

APPLICATIONS:

Applications include washdown applications, food processing, chemical processing, pharmaceuticals, poultry processing, meat processing, dairy applications, bakeries, snack foods, bottling and extremely corrosive environments.