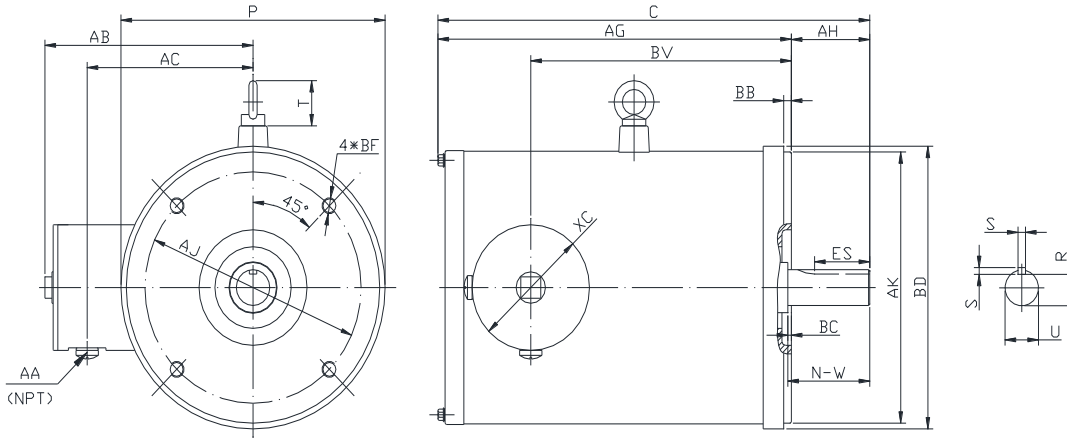




PES182TC3M-4-RB-A-NV

WASHDOWN DUTY MOTOR
NEMA PREMIUM EFFICIENCY
STAINLESS STEEL CONSTRUCTION - ROUND BODY (C-FLANGE FOOTLESS)
TOTALLY ENCLOSED NON VENTILATED - IP66 CONSTRUCTION
INVERTER DUTY 10:1 CT; 20:1 VT - NEMA MG1 PART 31



DIMENSIONS

HP	RPM	Frame	MOUNTING				FLANGE						
			C	P	T	AG	AH	AJ	AK	BB	BC	BD	BF
3	1800	182TC	14.7	8.58	1.45	12.08	2.62	7.25	8.5	0.25	0.12	8.85	4*1/2-13

Shaft Extension, Key Set					Conduit Box				
U	R	S	ES	N-W	AA	AB	AC	BV	XC
1.125	0.986	0.25	1.78	2.75	0.5	7	5.55	8.5	3.95

Bearings		Mount
DE	ODE	
6308-2RS	6306-2RS	F1

BEARING LUBRICATION: The bearings come lubricated with Mobil Polyrex EM Polyurea Grease.





PESS182TC3M-4-RB-A-NV

WASHDOWN DUTY MOTOR
NEMA PREMIUM EFFICIENCY
STAINLESS STEEL CONSTRUCTION - ROUND BODY (C-FLANGE FOOTLESS)
TOTALLY ENCLOSED NON VENTILATED - IP66 CONSTRUCTION
INVERTER DUTY 10:1 CT; 20:1 VT - NEMA MG1 PART 31

PERFORMANCE DATA

HP	RPM	Frame	Voltage	Frequency (Hz)	Full Load S.F.	Insulation Class	NEMA Design	Slip (%)	NEMA Code	Enclosure Type	IP Rating	Max. Ambient
3	1760	182TC	230/460	60	1.15	F	B	2.2	K	TENV	66	40° C

Amps (460V)		Efficiency (%)			Power Factor			Torque (ft-lb)			DE Bearing	ODE Bearing	Connection	Weight (lbs.)
FLA	LRA	100%	75%	50%	100%	75%	50%	FLT	LRT %	BDT %				
3.8	32	89.5	89.5	88.0	0.82	0.78	0.67	8.8	240	300	6308-2RS	6306-2RS	9 Lead 2Y/Y	99

*Usable at 208 Volts

NAME PLATE

		THREE PHASE AC INDUCTION MOTOR INVERTER DUTY 20:1 VT; 10:1 CT						Hernando, MS 38632			
Model :		PESS182TC3M-4-RB-A-NV				IP 66		FRAME 182TC		LB/WT 99	
HZ 60		S.F. 1.15		HZ 50		S.F. 1.0		NEMA DESIGN B			
HP 3		RPM 1760		HP 3		RPM 1450		ENCL. TENV		INS F	
VOLTS 230/460				VOLTS 190/380				DUTY CONT		AMB 40° C	
AMPS 7.6/3.8				AMPS 9.0/4.5				DE BRG 6308-2RS			
CODE K		P.F. 0.82		CODE H		P.F. 0.84		ODE BRG 6306-2RS			
EFF 89.5		MIN 87.5		EFF 87.5		MIN 85.5		SER NO.			
										CC082A MADE IN CHINA	

Factory Certified for T2B
 Div 2. Class I, Gr. A , B , C & D
 and Class II, Gr. F & G

APPLICATIONS:

Applications include washdown applications, food processing, chemical processing, pharmaceuticals, poultry processing, meat processing, dairy applications, bakeries, snack foods, bottling and extremely corrosive environments.