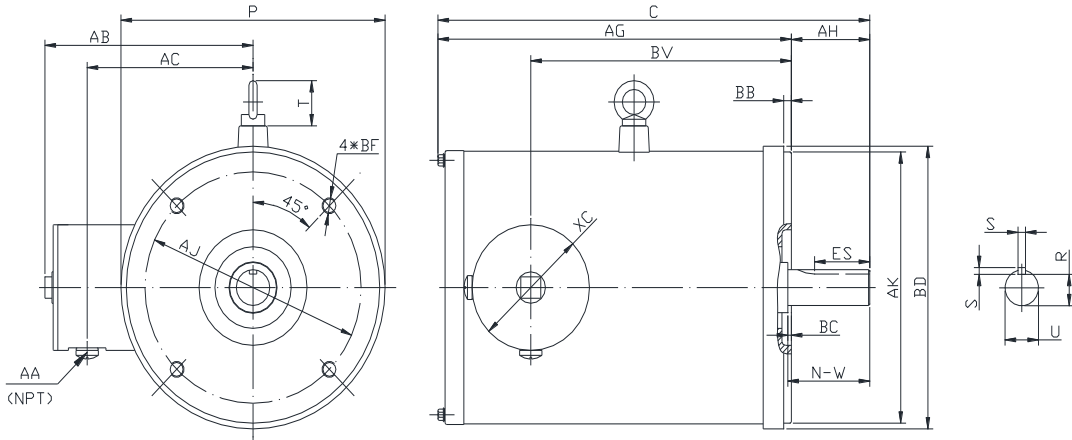




PES182TC3M-2-RB-A-NV

**WASHDOWN DUTY MOTOR
 NEMA PREMIUM EFFICIENCY
 STAINLESS STEEL CONSTRUCTION - ROUND BODY (C-FLANGE FOOTLESS)
 TOTALLY ENCLOSED NON VENTILATED - IP66 CONSTRUCTION
 INVERTER DUTY 10:1 CT; 20:1 VT - NEMA MG1 PART 31**



DIMENSIONS

HP	RPM	Frame	MOUNTING				FLANGE						
			C	P	T	AG	AH	AJ	AK	BB	BC	BD	BF
3	3600	182TC	14.7	8.58	1.45	12.08	2.62	7.25	8.5	0.25	0.12	8.85	4*1/2-13

Shaft Extension, Key Set					Conduit Box				
U	R	S	ES	N-W	AA	AB	AC	BV	XC
1.125	0.986	0.25	1.78	2.75	0.5	7	5.55	8.5	3.95

Bearings		Mount
DE	ODE	
6308-2RS	6306-2RS	F1

BEARING LUBRICATION: The bearings come lubricated with Mobil Polyrex EM Polyurea Grease.





PESS182TC3M-2-RB-A-NV

WASHDOWN DUTY MOTOR
NEMA PREMIUM EFFICIENCY
STAINLESS STEEL CONSTRUCTION - ROUND BODY (C-FLANGE FOOTLESS)
TOTALLY ENCLOSED NON VENTILATED - IP66 CONSTRUCTION
INVERTER DUTY 10:1 CT; 20:1 VT - NEMA MG1 PART 31


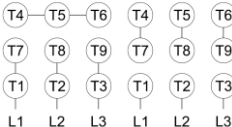



PERFORMANCE DATA

HP	RPM	Frame	Voltage	Frequency (Hz)	Full Load S.F.	Insulation Class	NEMA Design	Slip (%)	NEMA Code	Enclosure Type	IP Rating	Max. Ambient
3	3535	182TC	230/460	60	1.15	F	B	1.8	K	TENV	66	40 °C

Amps (460V)		Efficiency (%)			Power Factor			Torque (ft-lb)			DE Bearing	ODE Bearing	Connection	Weight (lbs.)
FLA	LRA	100%	75%	50%	100%	75%	50%	FLT	LRT %	BDT %				
3.6	32	86.5	86.0	84.0	0.89	0.85	0.77	4.4	230	290	6308-2RS	6306-2RS	9 Lead 2Y/Y	95

*Usable at 208 Volts

NAME PLATE

		THREE PHASE AC INDUCTION MOTOR						Hernando, MS 38632			
INVERTER DUTY 20:1 VT; 10:1 CT											
Model :	PESS182TC3M-2-RB-A-NV					IP	66	FRAME	182TC	LB/WT	95
HZ	60	S.F.	1.15	HZ	50	S.F.	1.0	NEMA DESIGN	B		
HP	3	RPM	3535	HP	3	RPM	2905	ENCL.	TENV	INS	F
VOLTS	230/460			VOLTS	190/380			DUTY	CONT	AMB	40 °C
AMPS	7.2/3.6			AMPS	8.6/4.3			DE BRG	6308-2RS		
CODE	K	P.F.	0.89	CODE	H	P.F.	0.91	ODE BRG	6306-2RS		
EFF	86.5	MIN	84.0	EFF	85.5	MIN	82.5	SER NO.			
<div style="display: flex; justify-content: space-between; align-items: center;"> <div style="text-align: center;"> <p>230V 460V</p>  </div> <div style="text-align: center;">    </div> <div style="text-align: right;"> <p>CC082A</p> <p>E310089</p> <p>MADE IN CHINA</p> </div> </div>											

Factory Certified for T2B
 Div 2. Class I, Gr. A , B , C & D
 and Class II, Gr. F & G

APPLICATIONS:

Applications include washdown applications, food processing, chemical processing, pharmaceuticals, poultry processing, meat processing, dairy applications, bakeries, snack foods, bottling and extremely corrosive environments.