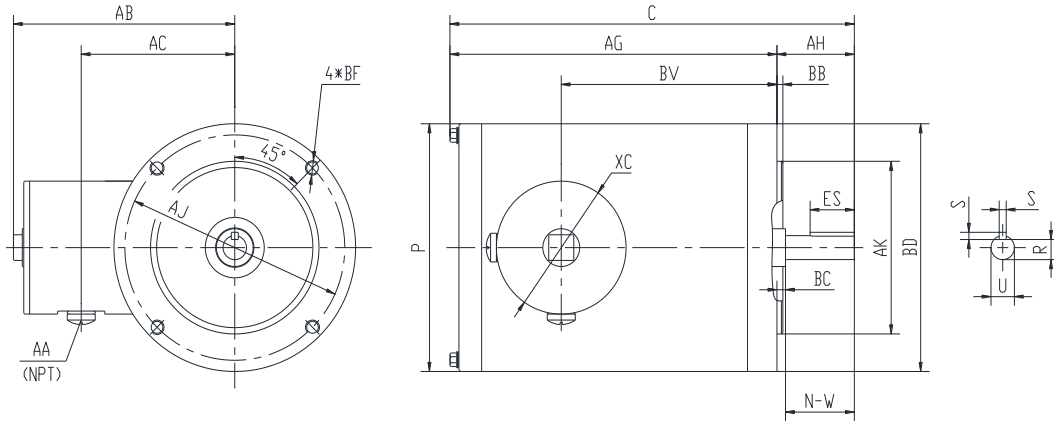




PESS56C1.5M-2-RB-A-NV

WASHDOWN DUTY MOTOR
NEMA PREMIUM EFFICIENCY
STAINLESS STEEL CONSTRUCTION - ROUND BODY (C-FLANGE FOOTLESS)
TOTALLY ENCLOSED NON VENTILATED - IP66 CONSTRUCTION
INVERTER DUTY 10:1 CT; 20:1 VT - NEMA MG1 PART 31



DIMENSIONS

HP	RPM	Frame	MOUNTING			FLANGE						
			C	P	AG	AH	AJ	AK	BB	BC	BD	BF
1.5	3600	56C	11.96	6.45	9.9	2.06	5.875	4.5	0.16	-0.19	6.45	4*3/8-16

Shaft Extension, Key Set					Conduit Box				
U	R	S	ES	N-W	AA	AB	AC	BV	XC
0.625	0.517	0.188	1.41	1.88	0.5	5.95	4.5	5.75	3.45

Bearings		Mount
DE	ODE	
6205-2RS	6205-2RS	F1

BEARING LUBRICATION: The bearings come lubricated with Mobil Polyrex EM Polyurea Grease.





PESS56C1.5M-2-RB-A-NV

WASHDOWN DUTY MOTOR
NEMA PREMIUM EFFICIENCY
STAINLESS STEEL CONSTRUCTION - ROUND BODY (C-FLANGE FOOTLESS)
TOTALLY ENCLOSED NON VENTILATED - IP66 CONSTRUCTION
INVERTER DUTY 10:1 CT; 20:1 VT - NEMA MG1 PART 31


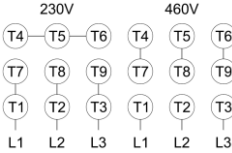



PERFORMANCE DATA

HP	RPM	Frame	Voltage	Frequency (Hz)	Full Load S.F.	Insulation Class	NEMA Design	Slip (%)	NEMA Code	Enclosure Type	IP Rating	Max. Ambient
1.5	3525	56C	230/460	60	1.15	F	B	2.1	M	TENV	66	40 °C

Amps (460V)		Efficiency (%)			Power Factor			Torque (ft-lb)			DE Bearing	ODE Bearing	Connection	Weight (lbs.)
FLA	LRA	100%	75%	50%	100%	75%	50%	FLT	LRT %	BDT %				
1.85	20	84.0	84.5	83.0	0.89	0.85	0.75	2.3	285	300	6205-2RS	6205-2RS	9 Lead 2Y/Y	46

*Usable at 208 Volts

NAME PLATE

		THREE PHASE AC INDUCTION MOTOR						INVERTER DUTY 20:1 VT; 10:1 CT				Hernando, MS 38632		
Model :		PESS56C1.5M-2-RB-A-NV				IP	66	FRAME	56C	LB/WT	46			
HZ	60	S.F.	1.15	HZ	50	S.F.	1.0	NEMA DESIGN		B				
HP	1.5	RPM	3525	HP	1.5	RPM	2895	ENCL.	TENV	INS	F			
VOLTS		230/460		VOLTS		190/380		DUTY	CONT	AMB	40 °C			
AMPS		3.7/1.85		AMPS		4.4/2.2		DE BRG		6205-2RS				
CODE	M	P.F.	0.89	CODE	K	P.F.	0.91	ODE BRG		6205-2RS				
EFF	84.0	MIN	81.5	EFF	82.5	MIN	80.0	SER NO.						
								CC082A		MADE IN CHINA				

Factory Certified for T2B
 Div 2. Class I, Gr. A , B , C & D
 and Class II, Gr. F & G

APPLICATIONS:

Applications include washdown applications, food processing, chemical processing, pharmaceuticals, poultry processing, meat processing, dairy applications, bakeries, snack foods, bottling and extremely corrosive environments.