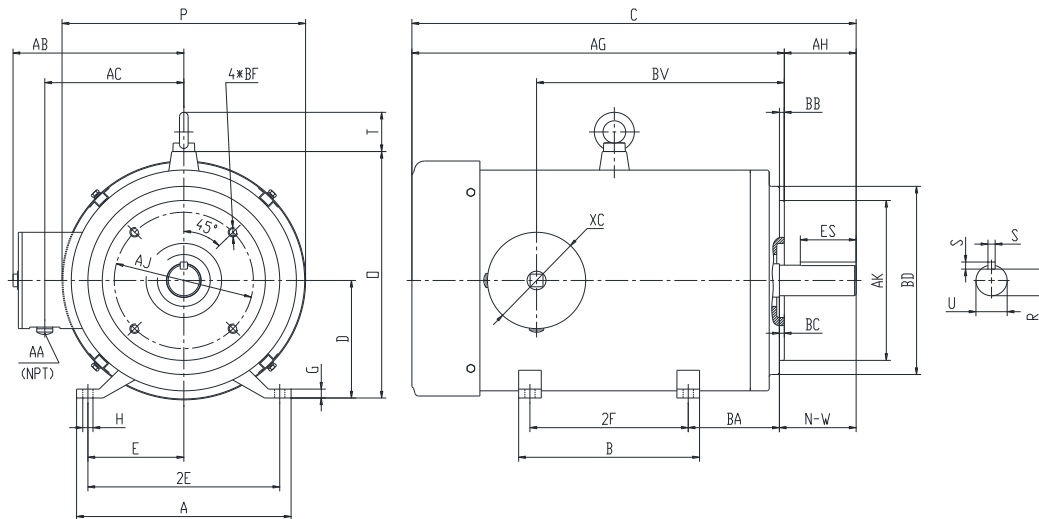


PES254TC15M-2-B

WASHDOWN DUTY MOTOR WITH ENCAPSULATION
NEMA PREMIUM EFFICIENCY
STAINLESS STEEL CONSTRUCTION - C-FLANGE WITH FEET
TOTALLY ENCLOSED FAN COOLED - IP66 CONSTRUCTION
INVERTER DUTY 10:1 CT; 20:1 VT - NEMA MG1 PART 31



DIMENSIONS

HP	RPM	Frame	MOUNTING														
			A	B	C	D	G	H	E	2E	2F1	2F2	O	P	T	AG	BA
15	3600	254TC	11.2	9.5	23.2	6.25	0.475	0.53	5	10	8.25	NA	13.1	12.7	2.1	19.45	4.75

FLANGE						Shaft Extension, Key Set					Conduit Box			
AH	AJ	AK	BB	BC	BF	U	R	S	ES	N-W	AA	AB	AC	BV
3.75	7.25	8.5	0.25	0.25	4*1/2-13	1.625	1.416	0.375	2.91	4	0.75	8.9	7.25	12.65

Bearings		Mount
DE	ODE	
6309-2RS	6309-2RS	F1

BEARING LUBRICATION: The bearings come lubricated with Mobil Polyrex EM Polyurea Grease.





PESS254TC15M-2-B

WASHDOWN DUTY MOTOR WITH ENCAPSULATION
NEMA PREMIUM EFFICIENCY
STAINLESS STEEL CONSTRUCTION - C-FLANGE WITH FEET
TOTALLY ENCLOSED FAN COOLED - IP66 CONSTRUCTION
INVERTER DUTY 10:1 CT; 20:1 VT - NEMA MG1 PART 31


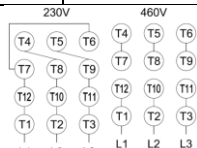



PERFORMANCE DATA

HP	RPM	Frame	Voltage	Frequency (Hz)	Full Load S.F.	Insulation Class	NEMA Design	Slip (%)	NEMA Code	Enclosure Type	IP Rating	Max. Ambient
15	3540	254TC	230/460	60	1.15	F	B	1.7	G	TEFC	66	40 °C

Amps (460V)		Efficiency (%)			Power Factor			Torque (ft-lb)			DE Bearing	ODE Bearing	Connection	Weight (lbs.)
FLA	LRA	100%	75%	50%	100%	75%	50%	FLT	LRT %	BDT %				
18.5	116	91.0	90.5	90.0	0.90	0.85	0.76	22	225	260	6309-2RS	6309-2RS	12 Lead 2Δ/Δ	253

*Usable at 208 Volts

NAME PLATE

		THREE PHASE AC INDUCTION MOTOR						Hernando, MS 38632					
INVERTER DUTY 20:1 VT; 10:1 CT													
Model :			PESS254TC15M-2-B			IP	66	FRAME	254TC	LB/WT	253		
HZ	60	S.F.	1.15	HZ	50	S.F.	1.0	NEMA DESIGN	B				
HP	15	RPM	3540	HP	15	RPM	2935	ENCL.	TEFC	INS	F		
VOLTS			230/460			VOLTS		190/380		DUTY	CONT	AMB	40 °C
AMPS			37/18.5			AMPS		42/21		DE BRG			6309-2RS
CODE	G	P.F.	0.90	CODE	G	P.F.	0.91	ODE BRG		6309-2RS			
EFF	91.0	MIN	89.5	EFF	89.5	MIN	87.5	SER NO.					
												  	CC082A
												E310089	MADE IN CHINA

Factory Certified for T2B
 Div 2. Class I, Gr. A , B , C & D
 and Class II, Gr. F & G

APPLICATIONS:

Applications include washdown applications, food processing, chemical processing, pharmaceuticals, poultry processing, meat processing, dairy applications, bakeries, snack foods, bottling and extremely corrosive environments.