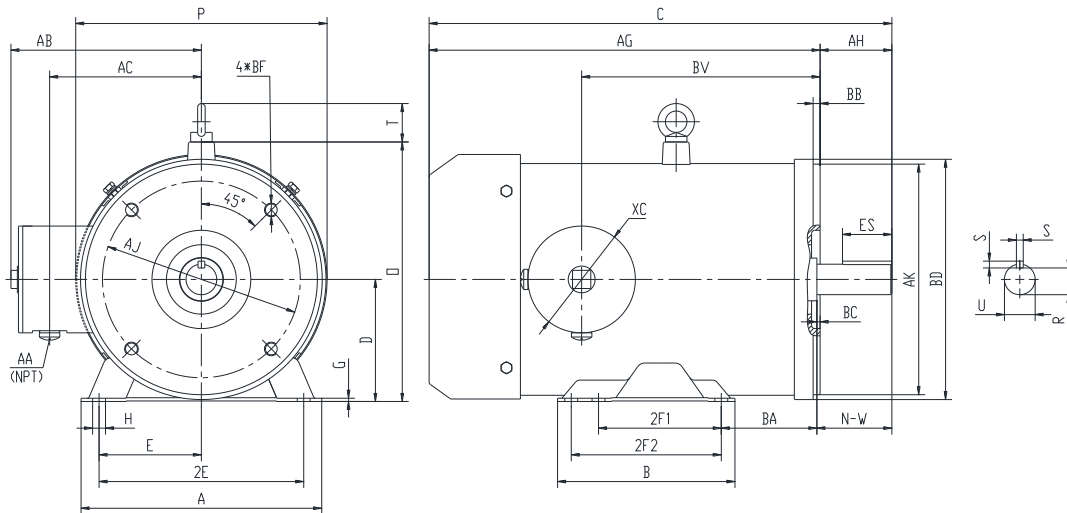




## PES184TC2M-6-B

**WASHDOWN DUTY MOTOR WITH ENCAPSULATION**  
**NEMA PREMIUM EFFICIENCY**  
**STAINLESS STEEL CONSTRUCTION - C-FLANGE WITH FEET**  
**TOTALLY ENCLOSED FAN COOLED - IP66 CONSTRUCTION**  
**INVERTER DUTY 10:1 CT; 20:1 VT - NEMA MG1 PART 31**



### DIMENSIONS

| HP | RPM  | Frame | MOUNTING |     |    |     |       |           |      |     |     |     |      |      |      |       |     |
|----|------|-------|----------|-----|----|-----|-------|-----------|------|-----|-----|-----|------|------|------|-------|-----|
|    |      |       | A        | B   | C  | D   | G     | H         | E    | 2E  | 2F1 | 2F2 | O    | P    | T    | AG    | BA  |
| 2  | 1200 | 184TC | 8.8      | 6.5 | 17 | 4.5 | 0.118 | 0.71*0.47 | 3.75 | 7.5 | 4.5 | 5.5 | 9.55 | 9.25 | 1.45 | 14.38 | 3.5 |

| FLANGE |      |     |      |      |          | Shaft Extension, Key Set |       |      |      |      | Conduit Box |    |      |     |  |
|--------|------|-----|------|------|----------|--------------------------|-------|------|------|------|-------------|----|------|-----|--|
| AH     | AJ   | AK  | BB   | BC   | BF       | U                        | R     | S    | ES   | N-W  | AA          | AB | AC   | BV  |  |
| 2.62   | 7.25 | 8.5 | 0.25 | 0.12 | 4*1/2-13 | 1.125                    | 0.986 | 0.25 | 1.78 | 2.75 | 0.5         | 7  | 5.55 | 8.5 |  |

| Bearings |          | Mount |
|----------|----------|-------|
| DE       | ODE      |       |
| 6308-2RS | 6306-2RS | F1    |

**BEARING LUBRICATION:** The bearings come lubricated with Mobil Polyrex EM Polyurea Grease.





## PESS184TC2M-6-B

**WASHDOWN DUTY MOTOR WITH ENCAPSULATION**  
**NEMA PREMIUM EFFICIENCY**  
**STAINLESS STEEL CONSTRUCTION - C-FLANGE WITH FEET**  
**TOTALLY ENCLOSED FAN COOLED - IP66 CONSTRUCTION**  
**INVERTER DUTY 10:1 CT; 20:1 VT - NEMA MG1 PART 31**

### PERFORMANCE DATA

| HP | RPM  | Frame | Voltage | Frequency (Hz) | Full Load S.F. | Insulation Class | NEMA Design | Slip (%) | NEMA Code | Enclosure Type | IP Rating | Max. Ambient |
|----|------|-------|---------|----------------|----------------|------------------|-------------|----------|-----------|----------------|-----------|--------------|
| 2  | 1175 | 184TC | 230/460 | 60             | 1.15           | F                | B           | 2.1      | L         | TEFC           | 66        | 40° C        |

| Amps (460V) |     | Efficiency (%) |      |      | Power Factor |      |      | Torque (ft-lb) |       |       | DE Bearing | ODE Bearing | Connection  | Weight (lbs.) |
|-------------|-----|----------------|------|------|--------------|------|------|----------------|-------|-------|------------|-------------|-------------|---------------|
| FLA         | LRA | 100%           | 75%  | 50%  | 100%         | 75%  | 50%  | FLT            | LRT % | BDT % | 6308-2RS   | 6306-2RS    | 9 Lead 2Y/Y | 95            |
| 3.05        | 25  | 86.5           | 82.0 | 77.0 | 0.71         | 0.65 | 0.57 | 8.8            | 255   | 270   |            |             |             |               |

\*Usable at 208 Volts

### NAME PLATE

|               |  |  |  |               |  |           |  |               |  |                         |  |                    |  |
|---------------|--|--|--|---------------|--|-----------|--|---------------|--|-------------------------|--|--------------------|--|
|               |  | <b>THREE PHASE AC INDUCTION MOTOR</b><br><b>INVERTER DUTY 20:1 VT; 10:1 CT</b> |  |               |  |           |  |               |  |                         |  | Hernando, MS 38632 |  |
|               |  | Model : PESS184TC2M-6-B  |  |               |  | IP 66     |  | FRAME 184TC   |  | LB/WT 95                |  |                    |  |
| HZ 60         |  | S.F. 1.15  |  | HZ 50         |  | S.F. 1.0  |  | NEMA DESIGN B |  |                         |  |                    |  |
| HP 2          |  | RPM 1175   |  | HP 2          |  | RPM 970   |  | ENCL. TEFC    |  | INS F                   |  |                    |  |
| VOLTS 230/460 |  |  |  | VOLTS 190/380 |  |           |  | DUTY CONT     |  | AMB 40° C               |  |                    |  |
| AMPS 6.1/3.05 |  |  |  | AMPS 7.4/3.7  |  |           |  | DE BRG        |  | 6308-2RS                |  |                    |  |
| CODE L        |  | P.F. 0.71  |  | CODE L        |  | P.F. 0.73 |  | ODE BRG       |  | 6306-2RS                |  |                    |  |
| EFF 86.5      |  | MIN 84.0   |  | EFF 84.0      |  | MIN 81.5  |  | SER NO.       |  |                         |  |                    |  |
| 230V<br>      |  | 460V<br>   |  |               |  |           |  |               |  | CC082A<br>MADE IN CHINA |  |                    |  |

Factory Certified for T2B  
 Div 2. Class I, Gr. A , B , C & D  
 and Class II, Gr. F & G

### APPLICATIONS:

Applications include washdown applications, food processing, chemical processing, pharmaceuticals, poultry processing, meat processing, dairy applications, bakeries, snack foods, bottling and extremely corrosive environments.